

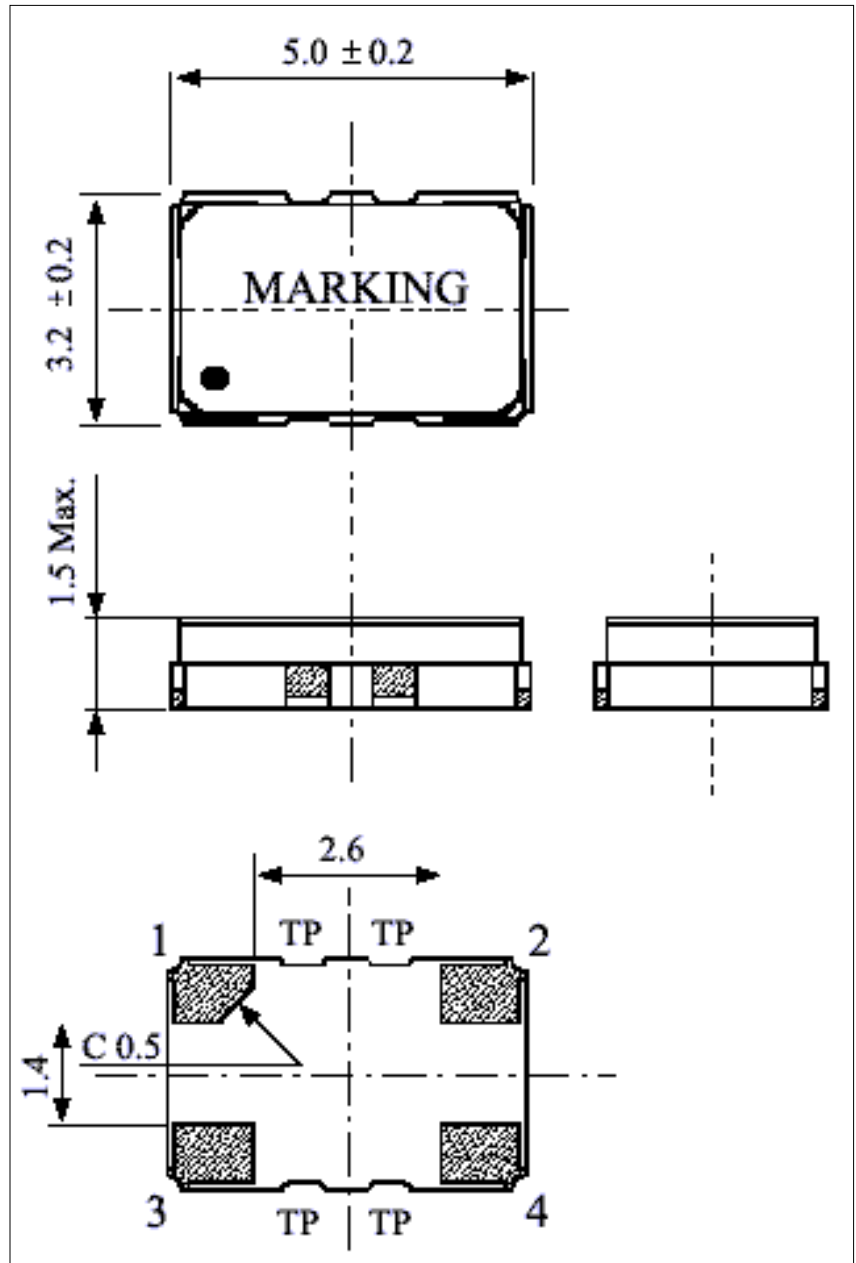
Super Miniature TCXO's / VCTCXO's, 3X5 mm.

MODEL	TC53	TV53
FREQ' RANGE	13.00 to 26.00 MHz	
FREQ' STABILITY VS. TEMPERATURE	See "How - To - Order" instructions (Typical: ± 2.5 PPM)	
FREQ' STABILITY VS. SUPPLY VARIATIONS	± 0.3 PPM	
FREQ' STABILITY VS. LOAD VARIATIONS	± 0.3 PPM	
AGING	± 1.0 PPM Max. for the first year at $+25^{\circ}\text{C}$	
OPERATING TEMP' RANGE	See "How - To - Order" instructions -10°C to $+70^{\circ}\text{C}$ or -30°C to $+75^{\circ}\text{C}$	
OUTPUT WAVEFORM	Clipped Sine Wave 0.8V ptp Min.	
LOAD	$10\text{K}\Omega \pm 10\%$ // $10\text{pF} \pm 10\%$	
SUPPLY VOLTAGE	$+3.0\text{ Vdc} \pm 5\%$ or $+5.0\text{ Vdc} \pm 5\%$	
SUPPLY CURRENT	2.0mA Max.	
VCO CHARACTERISTICS		
VC	$2.5\text{V} \pm 2.0\text{V}$ for 5.0V	$1.5\text{V} \pm 1.0\text{V}$ for 3.0V
FREQUENCY PULLING RANGE	± 5 PPM Min.	
SLOPE	Positive	
SMD PACKAGE	5.0 X 3.2 X 1.5 mm.	

TC53,TV53

Pin	Function
1	NC / V control
2	GND
3	Output
4	Vcc

Dimensions in mm.



[Super Miniature TCXO's / VCTCXO's, 3X5 mm.](#)

[to top](#)

