

# GUVC-T21GH

- **UV-Photodiode with integrated TI Amplifier**
- **Voltage Output**
- **Single Supply Voltage**
- **Structure: AlGaN**



## Description

**GUVC-T21GH** is an **AlGaN based** UV photodiode with integrated transfer impedance amplifier. It offers high sensitivity, good solar blindness, and comes in compact TO-5 housing. It is designed for reliably monitoring UV-C radiation and providing easy to process voltage output. **GUVC-T21GH** can be operated from single supply voltage

## Maximum Ratings

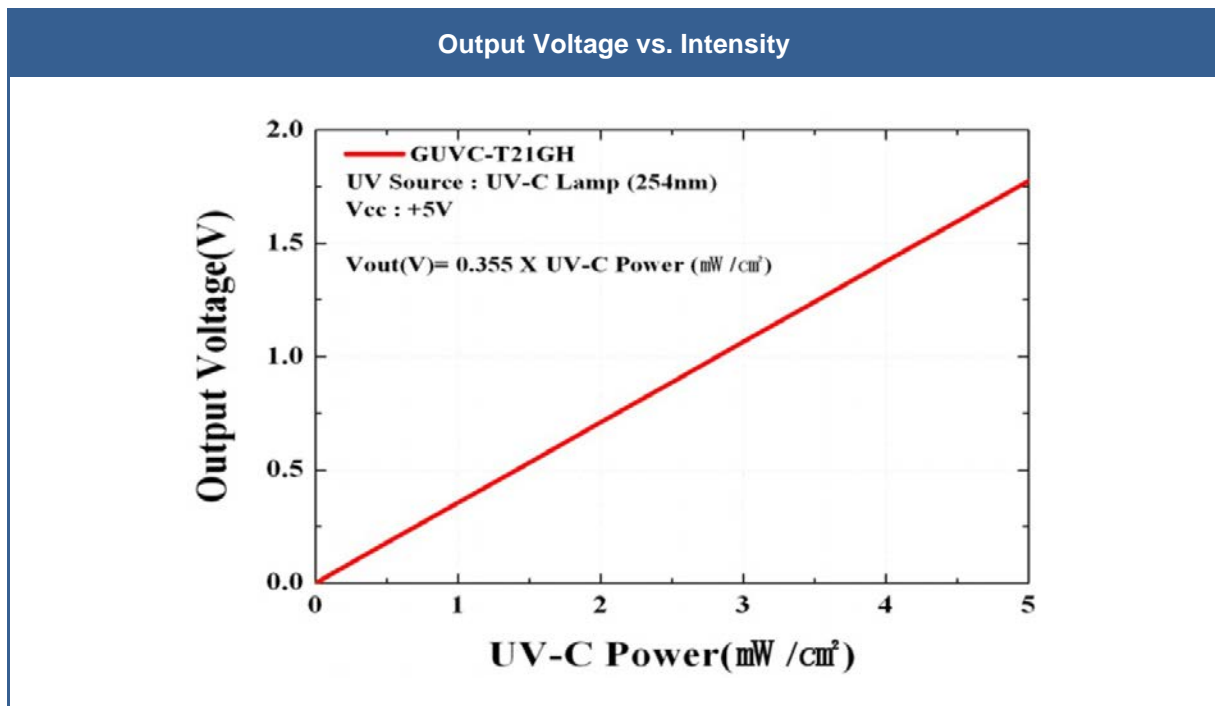
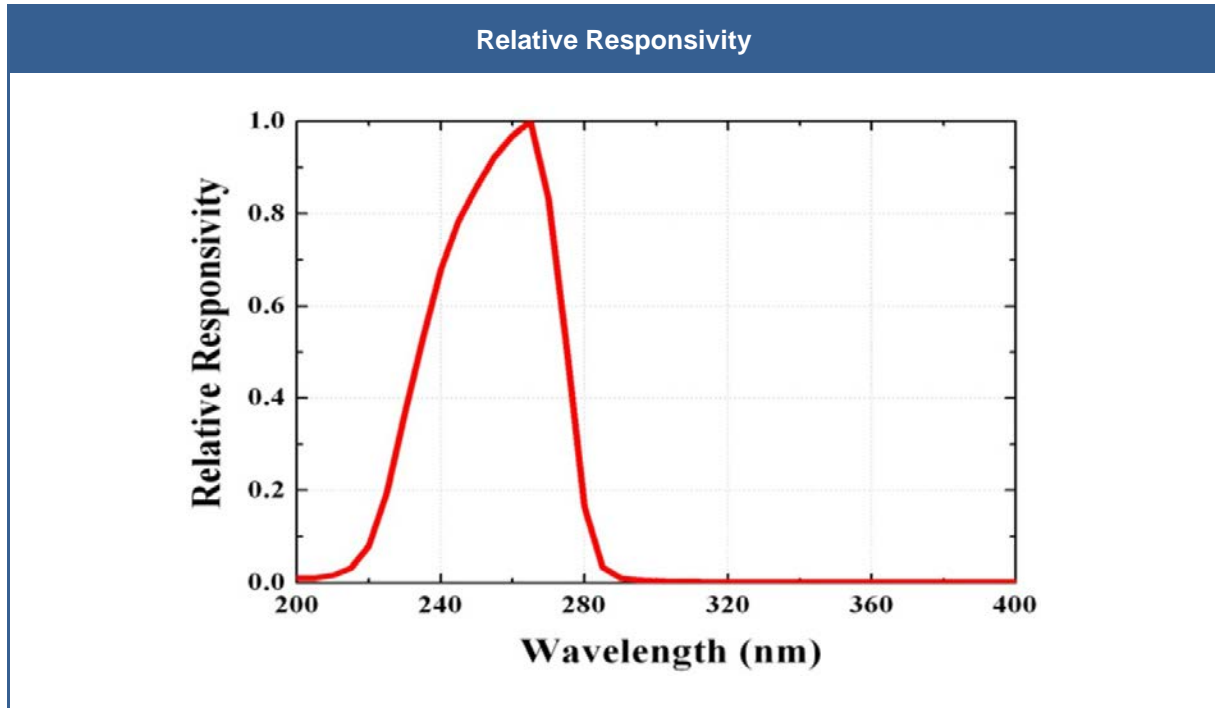
Parameter	Symbol	Values		Unit
		Min.	Max.	
Supply Voltage	$V_{CC}$		5.5	VDC
Operating Temperature	$T_{CASE}$	- 30	+ 85	°C
Storage Temperature	$T_{STG}$	- 40	+ 90	°C
Soldering Temperature	$T_{SOLDER}$		260	°C

## Characteristics ( $T_{CASE} = 25^{\circ}C$ )

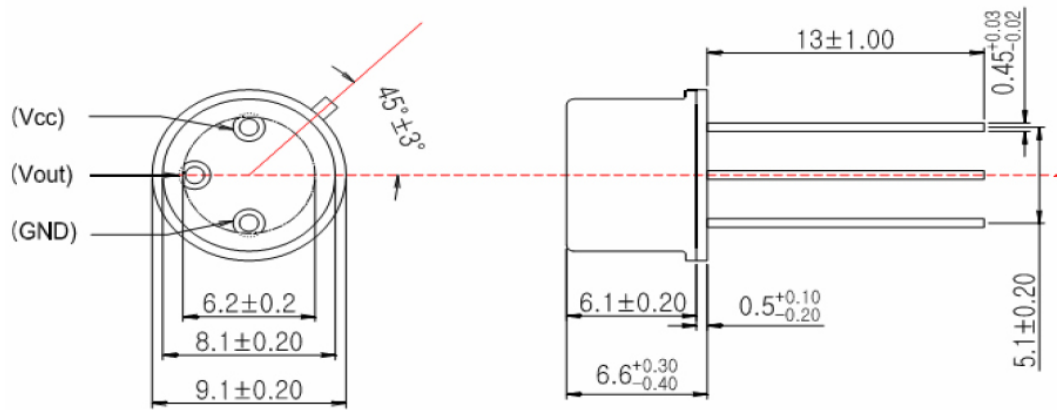
Parameter	Symbol	Values			Unit
		Min.	Typ.	Max.	
Spectral Detection Range (10% of $R_p$ )	$\lambda$	220		280	nm
Supply Voltage	$V_{CC}$	1.8		5.5	VDC
Supply Current	$I_Q$		50		$\mu A$
Responsivity (@254nm)	$R_p$		0.6		mV/nW
Output Voltage (1 mW/cm <sup>2</sup> )	$V_{out}$		0.355		V
Offset Voltage	$V_{off}$		0.01		V
Detection Power Range ( $V_{CC}=5V$ )	$P$	0		14.1	mW/cm <sup>2</sup>
Rise Time	$T_f$		3		ms



## Performance Characteristics



## Drawing



Dimensions in mm

© All Rights Reserved

The above specifications are for reference purpose only and subjected to change without prior notice