

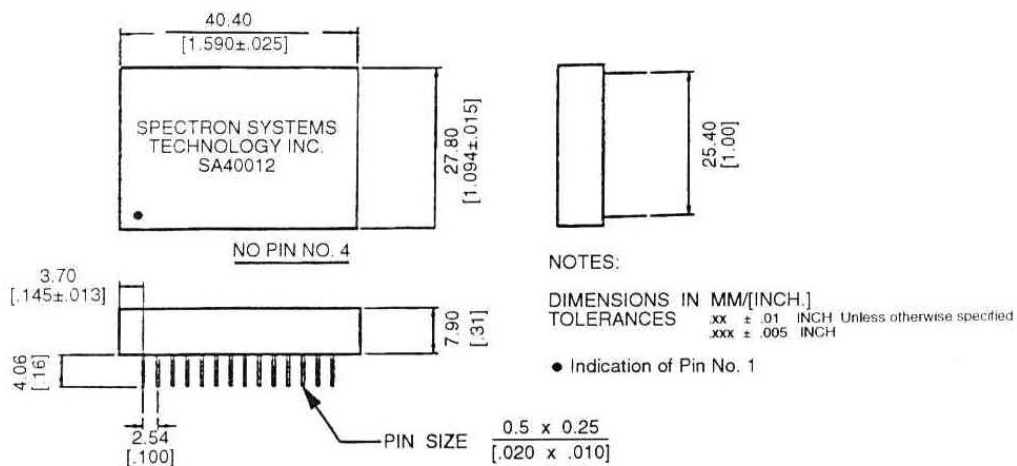
SA40012 ñ Single Axis CMOS Signal Conditioning Module

The SA40012 *Single Axis CMOS Signal Conditioning Module* is a DC input/output operated device, which operates off a single ended supply, and provides a bipolar DC output. Specifically designed to interface directly with all Spectron Single Axis *Tilt Sensors*, this low power consumption conditioner is ideal for battery driven applications. Featuring a PC board mountable design, the module internally converts the DC input voltage into an AC excitation voltage for the sensor, and demodulates the sensor output into a smooth amplified DC output voltage. Incorporating a proprietary signal processing algorithm, and an external temperature compensation sensor (optional), normal measurement errors are severely reduced. The SA40012 also features overload protection, and is 100% reliability tested to provide the highest quality available.

General Specifications

Input voltage+5Vdc to +15Vdc
 Input current 0.5mA @ +5Vdc, 0.9mA @ +15Vdc
 Sensor excitation 380 mV pp, square wave
 Input impedance 5 megohms
 Output +/-1.5Vdc @+6Vdc supply, referenced to Vref
Note; minimum output = 50mVdc + (supply voltage . 1.5Vdc)
 Load 100k ohm minimum
 Time constant 30 msec
 Offset adjustment +/-45 mVdc
 Output ripple 0.35% of output voltage (RG 24k ohm) Temperature coefficients (module w/out sensor)
 - Null 100 microvolts / C° (typical)
 - Scale ... 0.02% / C° @ +1Vdc output
 Output short duration Continuous (Vout and Vref)
 Temperature range
 - Operating -20 to +70C°
 - Storage ... -40 to +80C°
 Temperature Compensation
 - Temperature compensation of the assembly (module and sensor) can be accomplished using an external silicon temperature sensor (KTY81-120) and a resistor (.RT., see wiring diagram for typical values). With this configuration, it is possible to reduce the scale temperature coefficient error from a 0.3%/C° (nominal), to 0.03%/C° (nominal). Please see wiring diagram for connection points.

Dimensions

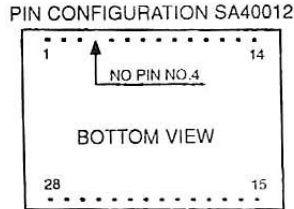


駿融企業有限公司 JIN ZON ENTERPRISE CO., LTD.
 104 台北市長安東路二段 171 號 4 樓之 3
 4F-3, No. 171, Sec. 2, Chang An E. Rd., Taipei, Taiwan, R. O. C.
 TEL: 886-2-27111093~5 FAX: 886-2-27310902
 E-mail: jinzon@ms2.hinet.net Http:// www.jinzon.com.tw/

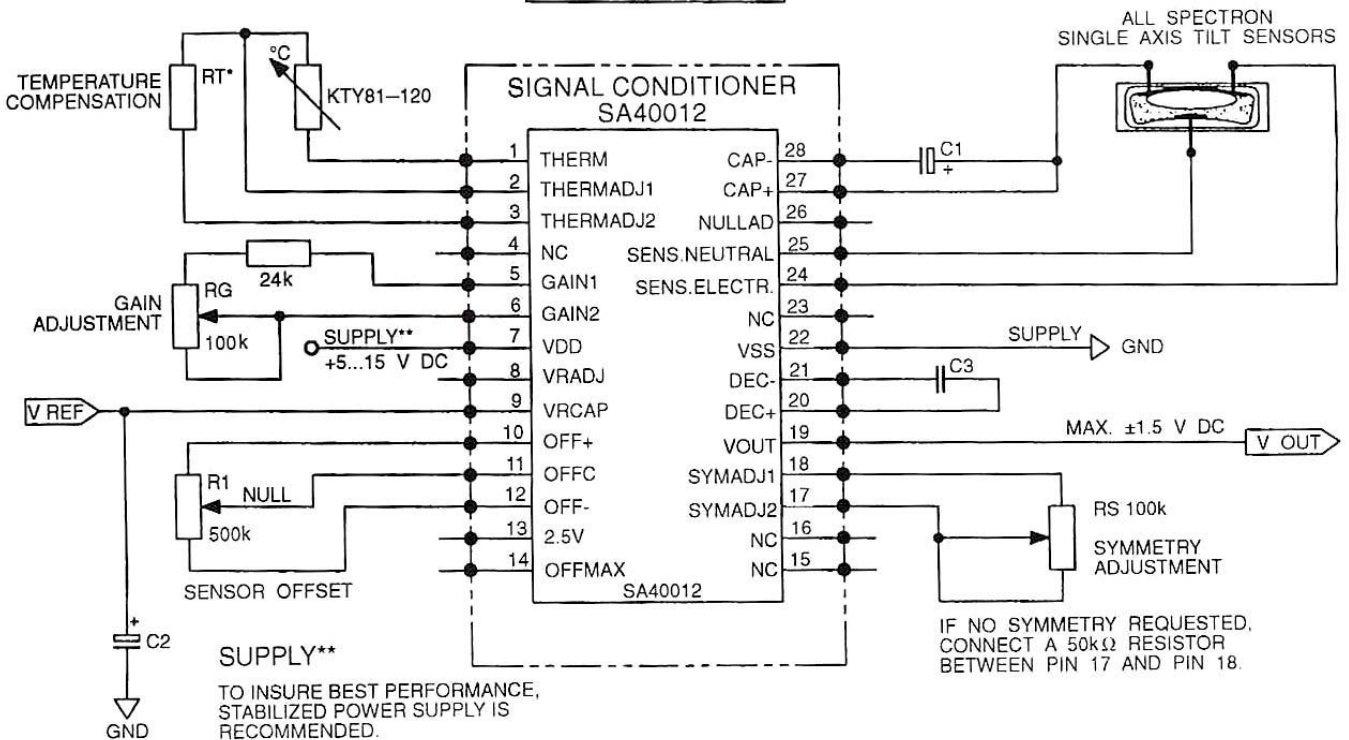
SA40012 ñ Single Axis CMOS Signal Conditioning Module

Input/Output Connections

RT*:
Typical resistor values for
temperature compensation
RG 33 T 140k L 210 100k
RG 33 N 140k L 211 U 75k
RG 37 S 140k L 212 T 75k
CG 50 S 65k
CG 57 S 65k



CAPACITORS:
C1 22 µF 16 V
C2 22 µF 10 V
C3 0.1 µF 10 V



Consult factory for further technical information and ordering details!

駿融企業有限公司 JIN ZON ENTERPRISE CO., LTD.
104 台北市長安東路二段 171 號 4 樓之 3
4F-3, No. 171, Sec. 2, Chang An E. Rd., Taipei, Taiwan, R. O. C.
TEL: 886-2-27111093~5 FAX: 886-2-27310902
E-mail: jinzon@ms2.hinet.net Http:// www.jinzon.com.tw/