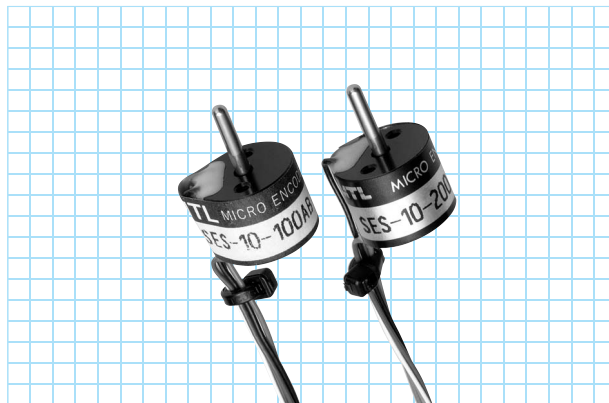
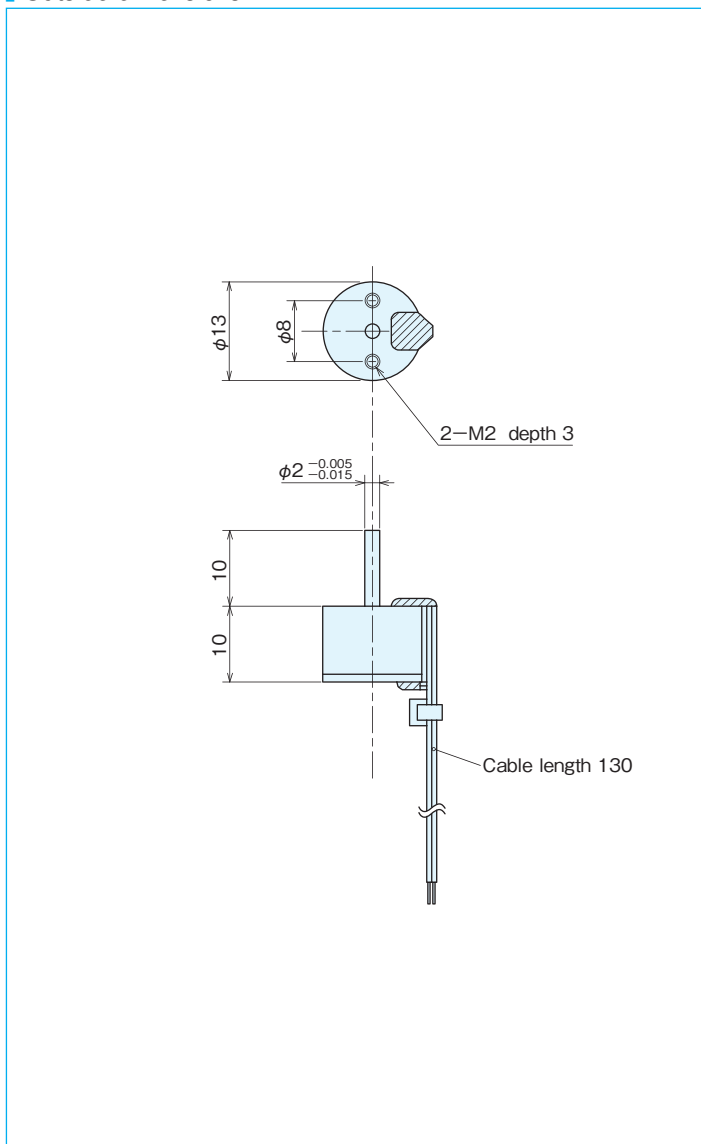


SES-10 series

[Approximate Sine Wave/Incremental]



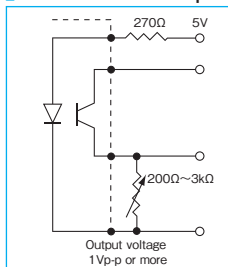
Outside dimensions



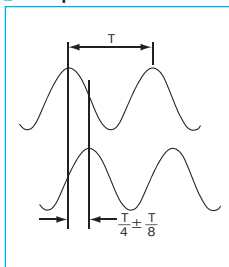
Specifications

Type name	SES-10- <input type="text"/> - <input type="text"/>		
Item	Pulse number Output phase ●A =single phase ●AB=two-phase		
Supply voltage	DC5V ±10%		
Current consumption	30mA(LED: maximum 20mA)		
Detection system	Incremental		
Output	Output pulse number (Standard)	100	
	[Pulse number/rotation]	200	
	Output phase	A phase, A, B phase	
	Output form	Approximate sine wave	
	Output capacity	—	
	Maximum response frequency (response pulse number)	20kHz	
	Output phase difference	A, B phase difference 90°±45°	
	Waveform rise/fall time	—	
	Allowable load of shaft (electrical)	Radial	1.9N(200gf)
		Thrust	1.9N(200gf)
Maximum allowable revolutions (mechanical)	6,000r/min		
Working ambient temperature/humidity	0°C~50°C		
Storing ambient temperature	-20°C~80°C		
Vibration resistance	Durability 55Hz, double amplitude 1.5mm 2 hours each in X, Y, and Z directions		
Impact resistance	Durability 500m/s ² (about 50G) 3 times each in X, Y, and Z directions		
Cable	Vinyl wire(AWG30)130mm		
Mass	10g(excluding cable)		

Connection example



Output waveform



Output circuit diagram

