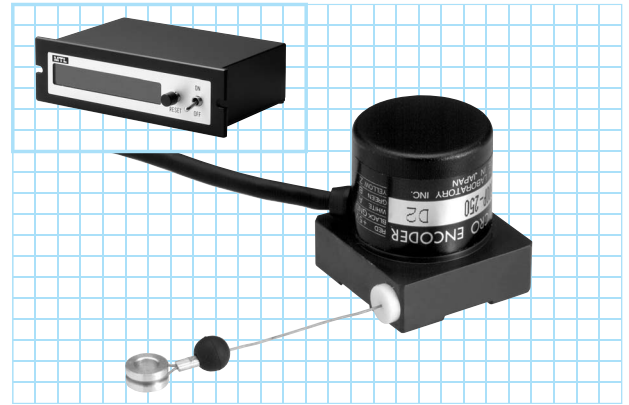


MLS-12 series

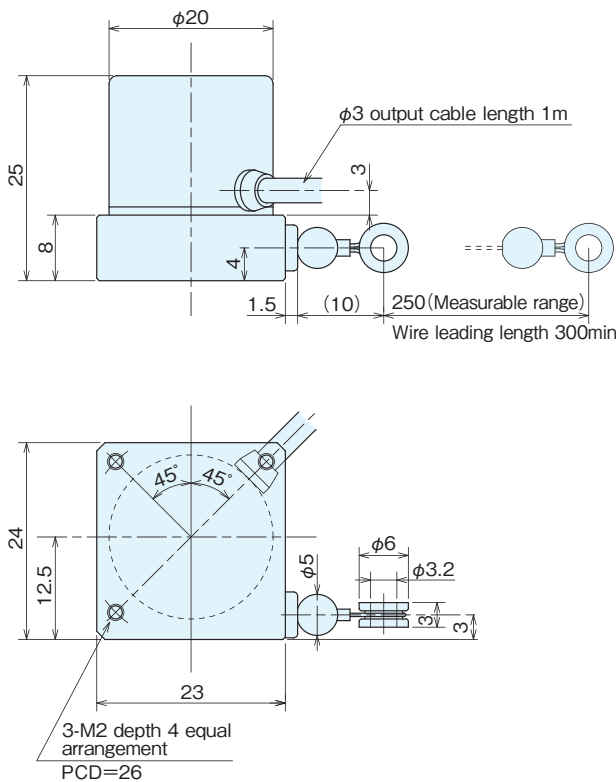
[Square Wave/Incremental]

- ▶ Smallest in the series: Outside dimensions 23×24×25 (H)
- ▶ Stroke: 250 mm
- ▶ Resolution: Selection from among 0.1mm, 0.04 mm
- ▶ Lightweight: 60g



Outside dimensions

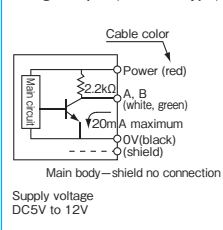
MLS-12



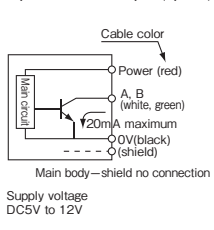
Note: Usage warning: The wire may stop midway through retracting. When this happens, slowly pull out the full length and then slowly retract again before using.

Output circuit diagram

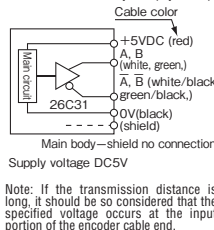
Voltage output (standard type)



Open collector output (option)



Line driver output (option)



Specifications

Type name	MLS-12-□□-250	
	Pulse number	Output circuit
Item		●No entry=voltage output ●C=open collector output ●E=line driver output
Measuring range	250mm	
Supply voltage	DC5V~12V ±10%	
Current consumption	40mA or less (under no load)	
Detection system	Incremental	
Stroke speed mm/sec	250	
Wire tensile force	0.29N~0.59N (30~60gf)	
Output	Output pulse number [Minimum resolution]	600 [0.1mm] 1,500 [0.04mm]
	Output phase	A, B phase
	Output form	Square wave
	Output capacity	Sink current:20mA Residual voltage:0.5V or less (at 10mA)
	Maximum response frequency (response pulse number)	50kHz
Working ambient temperature/humidity	0°C~50°C RH95% no dewing	
Storing ambient temperature	-20°C~80°C	
Vibration resistance	Durability 55Hz, double amplitude 1.5mm 2 hours each in X, Y, and Z directions	
Impact resistance	Durability 500m/s ² (about 50G) 3 times each in X, Y, and Z directions	
Cable	Outside diameter φ3 4-core vinyl wire Insulated shield cable	
Mass	60g	

Specifications/micro linear scale (detecting portion + indicating portion)

Type name	MLS-12-01-250	MLS-12-001-250
Measuring range mm	250	
Output pulse/1mm	10	100
Counter accuracy pulse	±1	±1
Minimum reading	0.1	0.01
Power	AC100V 50/60Hz 180mA max	
Counter mode	10 Decimal	
Count indication	0~±999999.9	0~±99999.99
Reset	Reset switch provided *External signal resetting possible	
External output	*BCD parallel output	
Mass	700g	
Power cord	2m with plug	

Note: For counter specifications, see DC Series. * indicates option.

Output waveform

