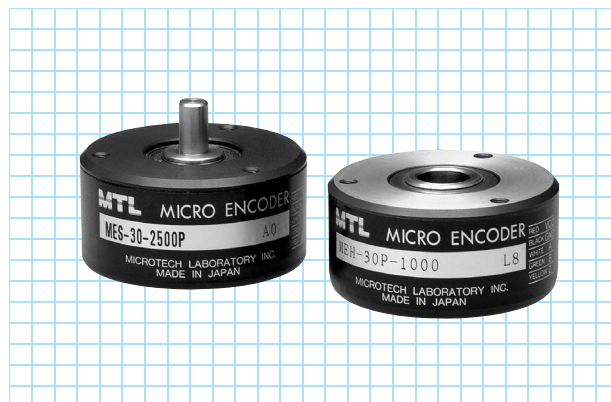


ME-30-P series

[Square Wave/Incremental]



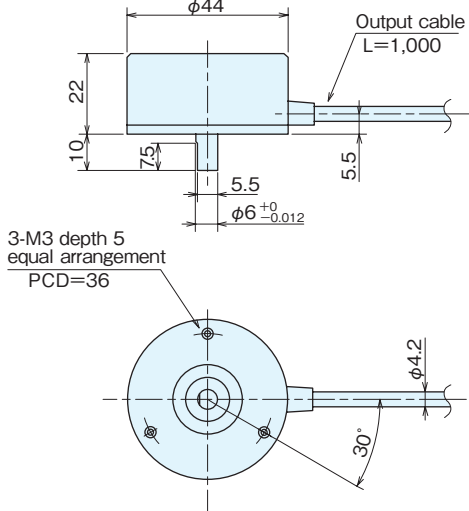
Specifications

Type name		ME□-30-□P□					
Item		Shaft shape		Pulse number		Output circuit	
		●S=single shaft	●H=hollow shaft	●D=double shaft	●No entry=voltage output	●C=open collector output	●C4=open collector output DC24V
						●E=line driver output	●S=sine wave output
						●ST□(2-4-5-8-10-16-20)	
		Square wave				Built-in multiplication circuit (X2·X4·X5·X8·X10·X16·X20)	
Supply voltage		Voltage/Open collector:DC5V~12V+10% Open collector C4:DC24V±10% Line driver:DC5V±5%				Voltage:DC5V-5%~12V+10% Open collector:DC5V-5%~24V+10% Line driver:DC5V±5%	
Current consumption		70mA or less (under no load)				100mA or less (under no load)	
Detection system		Incremental				Incremental	
input	Output pulse number (Standard) [Pulse number/rotation]	40	250	500	720	2,500(※)	EX 10,000×2(20,000) 10,000×4(40,000) 10,000×5(50,000) 10,000×8(80,000) 10,000×10(100,000) 10,000×16(160,000) 10,000×20(200,000)
		50	300	512	800	3,600(※)	
		60	360	600	900	4,500(※)	
		100	400		1,000	5,000(※)	
		200	450		1,024	6,000(※)	
					1,200	8,192(※)	
					1,500	9,000(※)	
					1,800	10,000(※)	
					2,000	10,800(※)	
					2,048	10,800(※)	
Output phase		A, B, Z phase				A, B, Z phase	
Output form		Square wave				Square wave	
Output capacity		Sink current:20mA Residual voltage:0.5V or less (at 10mA)				—	
Maximum response frequency (response pulse number)		100kHz				Line driver output:50kHz×(by multiplication) Voltage·Open collector output:100kHz	
Output phase difference		A, B phase difference 90°±45°(T/4±T/8) Z phase T±T/2 (see Output Waveform)				Refer to the figure on the right	
Waveform rise/fall time		2μs or less (output cable 1m or less)				—	
Allowable load of shaft (electrical)	Radial	19.6N(2kgf)		14.7N(1.5kgf)		14.7N(1.5kgf)	
	Thrust	9.8N(1kgf)		4.9N(0.5kgf)		4.9N(0.5kgf)	
Maximum allowable revolutions (mechanical)		6,000r/min				6,000r/min	
Working ambient temperature/humidity		-10°C~70°C RH35%~90% no dewing				-10°C~70°C RH35%~90% no dewing	
Storing ambient temperature		-20°C~80°C				-20°C~80°C	
Vibration resistance		Durability 55Hz, double amplitude 1.5mm 2 hours each in X, Y, and Z directions				Durability 55Hz, double amplitude 1.5mm 2 hours each in X, Y, and Z directions	
Impact resistance		Durability 500m/s ² (about 50G) 3 times each in X, Y, and Z directions				Durability 500m/s ² (about 50G) 3 times each in X, Y, and Z directions	
Cable		Outside diameter φ4.2 5-core vinyl wire Insulated shield cable (length 1m)				Outside diameter φ4.2 5-core vinyl wire Insulated shield cable (length 1m)	
Mass		140g				140g	

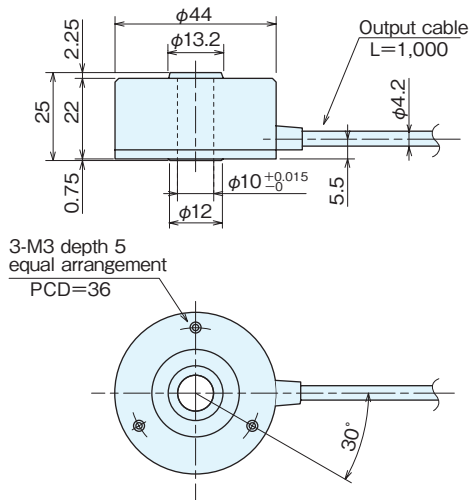
※Handled by built-in multiplier circuit

Outside dimensions

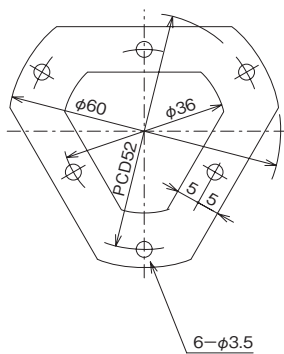
MES-30-P



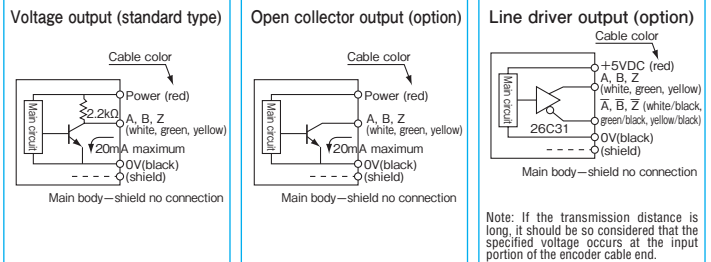
MEH-30-P



Spring flange MEH-30 (Option)

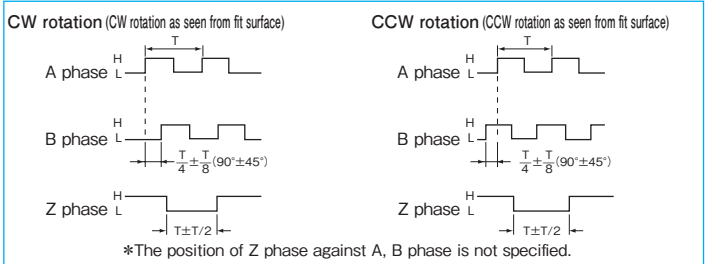


Output circuit diagram



A capacitor (0.1 μ F) is connected between 0V and FG (frame ground).

Output waveform (Square wave)



Output waveform / Built-in multiplication circuit (x2·x4·x5·x8·x10·x16·x20)

