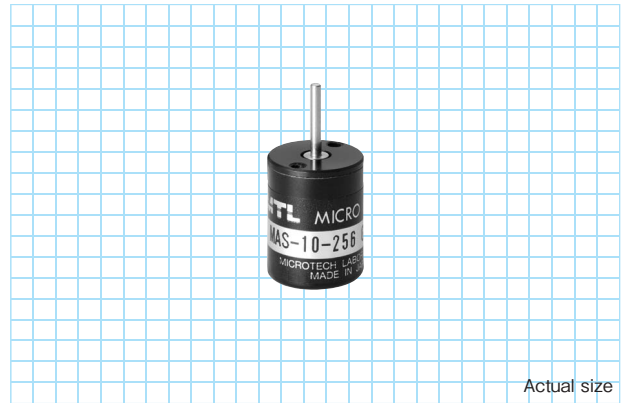


MAS-10 series

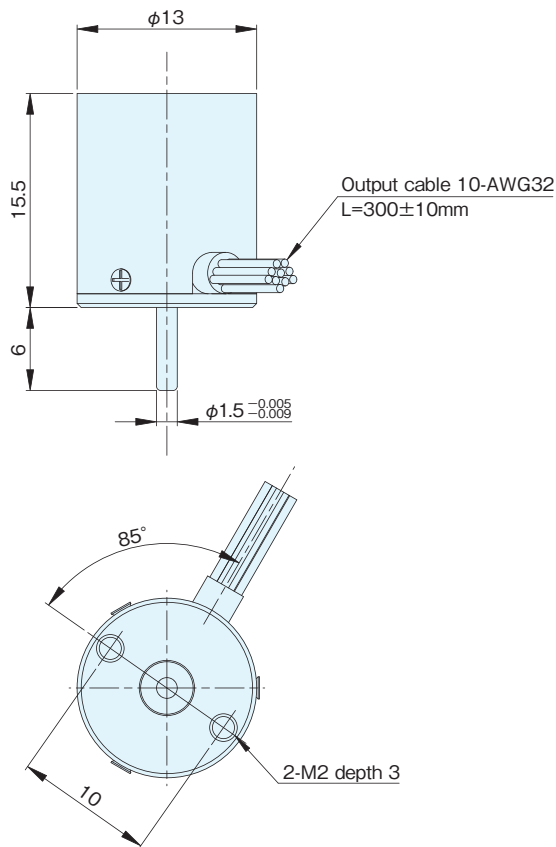
[Absolute]

- ▶ Ultra compact absolute encoder
- ▶ $\phi 13 \times H15.5$
- ▶ Resolution 256 (8-bit)



Actual size

Outside dimensions



Specifications

Item	Type name	MAS-10-256G1
Supply voltage		DC5V $\pm 5\%$
Current consumption		40mA or less (under no load)
Output code		G: gray code
Logic		Negative logic (H=0, L=1)
Resolution		256 (8 bits/rotation)
Output circuit		Voltage output
Output capacity		Max. sink current per bit 4mA Residual voltage 0.4V or less
Allowable load of shaft (electrical)	Radial	0.98N (100gf)
	Thrust	0.98N (100gf)
Maximum revolutions (mechanical)		6,000r/min
Maximum response frequency		20kHz
Working temperature/humidity		0°C~+60°C / RH35%~90% no dewing
Storage temperature		-20°C~+80°C
Vibration resistance		Durability 55Hz, double amplitude 1.5mm 2 hours each in X, Y, and Z directions
Impact resistance		Durability 500m/s ² (about 50G) 3 times each in X, Y, and Z directions
Mass		10g

Connection

Cable color	MAS-10-256 G
Black	0V (COMMON)
Red	5V $\pm 5\%$
Brown	Output 2 ⁰
Orange	Output 2 ¹
Yellow	Output 2 ²
Green	Output 2 ³
Blue	Output 2 ⁴
Purple	Output 2 ⁵
Gray	Output 2 ⁶
White	Output 2 ⁷

I/O circuit diagram

