
OL6201N-5-A10

1625 nm/5 mW Laser Diode DIL Module with Single Mode Fiber.

GENERAL DESCRIPTION

OL6201N-5-A10 is a 1625 nm Laser Diode in a DIL package with single mode fiber.

FEATURES

- Single-mode fiber output: $P_f = 5$ mW
- Includes monitor PD for power control
- Multi-quantum-well (MQW) structure
- Thermo-electric cooler

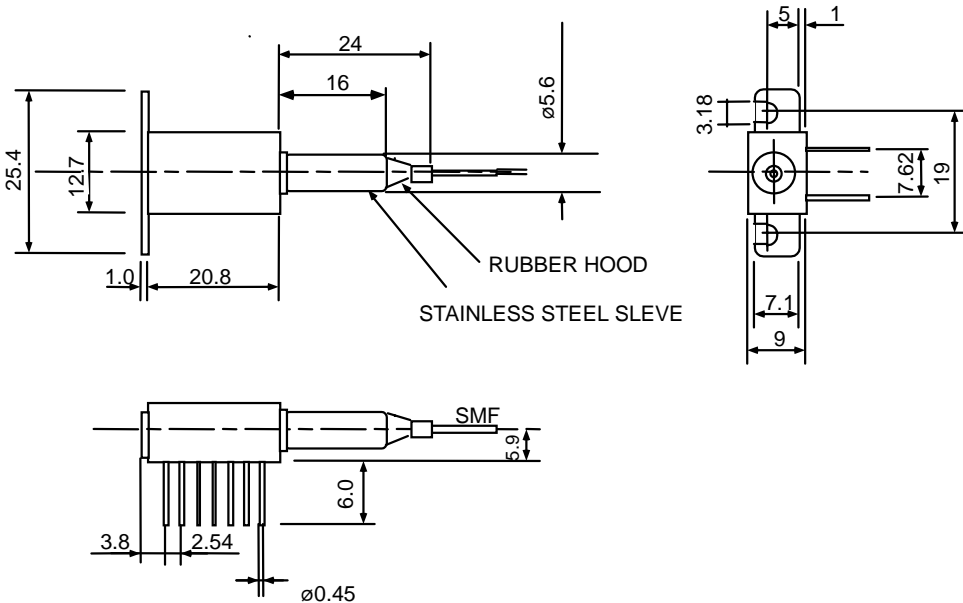
APPLICATIONS

- WDM supervisory channel in SDH system with optical in-line amplifier

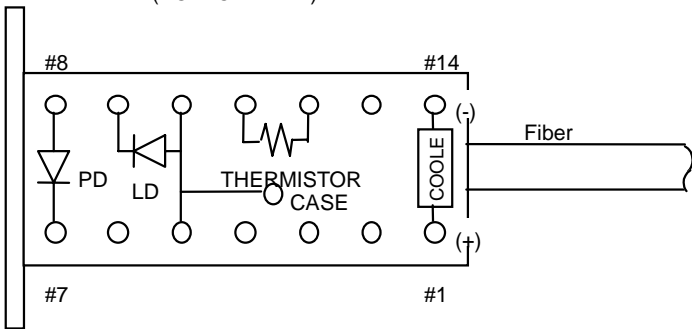
OUTLINE DRAWING

All dimensions in millimeters
Package No. (Unit: mm)

Package No.
201



TERMINAL CONNECTION
(BOTTOM VIEW)



ABSOLUTE MAXIMUM RATINGS

(Ta = 25°C, unless otherwise noted)

Parameter	Symbol	Ratings	Unit
Fiber Output Power	Pf	7	mW
Laser Diode Reverse Voltage	Vr (LD)	2	V
Photo Diode Reverse Current	If(PD)	10	MA
Photo Diode Reverse Voltage	Vr (PD)	20	V
Operating Temperature	Topr	-20 to +65	°C
Storage Temperature	Tstg	-40 to +70	°C

Exceeding these ratings may lead to immediate destruction or permanent deterioration of the device.

OPTICAL AND ELECTRICAL CHARACTERISTICS

(TLD = 25°C)

Parameter	Symbol	Test Conditions	Min.	Typ.	Max.	Unit
Threshold Current	Ith	—	—	—	60	mA
Operating Current	Iop	Pf = 5 mW	—	—	150	mA
Operating Voltage	Vop	Pf = 5 mW	—	—	2.5	V
Center Wavelength	λ_c	Pf = 5 mW	1615	—	1635	nm
RMS Spectral Width	σ	Pf = 5 mW, RMS	—	—	5	nm
PD Dark Current	Idark	Vr(PD) = 5 V	—	—	1	μ A
Monitor Current	Im	Pf = 5 mW, Vr(PD) = 5 V	100	—	—	μ A
Rise Time	t_r	Ibias = Ith	—	—	0.5	ns
Fall Time	t_f	Pf = 5 mW, 10% to 90%	—	—	0.5	ns
Cooler Voltage	Vc	$\Delta T = 40^\circ\text{C}$, Pf = 5 mW	—	—	2.0	V
Thermistor Resistance	Rth	—	9.0	10	11	k Ω

FIBER PIGTAIL SPECIFICATIONS

Parameter	Specifications	Unit
Type	SM	---
Mode Field Diameter	9+/-1	μ m
Cladding Diameter	125+/-2	μ m
Jacket Diameter	900	μ m
Length	1 (Min.)	m
Connector	FC/SPC	---

NOTICE

1. The information contained herein can change without notice owing to product and/or technical improvements. Before using the product, please make sure that the information being referred to is up-to-date.
2. The outline of action and examples for application circuits described herein have been chosen as an explanation for the standard action and performance of the product. When planning to use the product, please ensure that the external conditions are reflected in the actual circuit, assembly, and program designs.
3. When designing your product, please use our product below the specified maximum ratings and within the specified operating ranges including, but not limited to, operating voltage, power dissipation, and operating temperature.
4. Oki assumes no responsibility or liability whatsoever for any failure or unusual or unexpected operation resulting from misuse, neglect, improper installation, repair, alteration or accident, improper handling, or unusual physical or electrical stress including, but not limited to, exposure to parameters beyond the specified maximum ratings or operation outside the specified operating range.
5. Neither indemnity against nor license of a third party's industrial and intellectual property right, etc. is granted by us in connection with the use of the product and/or the information and drawings contained herein. No responsibility is assumed by us for any infringement of a third party's right which may result from the use thereof.
6. The products listed in this document are intended for use in general electronics equipment for commercial applications (e.g., office automation, communication equipment, measurement equipment, consumer electronics, etc.). These products are not authorized for use in any system or application that requires special or enhanced quality and reliability characteristics nor in any system or application where the failure of such system or application may result in the loss or damage of property, or death or injury to humans. Such applications include, but are not limited to, traffic and automotive equipment, safety devices, aerospace equipment, nuclear power control, medical equipment, and life-support systems.
7. Certain products in this document may need government approval before they can be exported to particular countries. The purchaser assumes the responsibility of determining the legality of export of these products and will take appropriate and necessary steps at their own expense for these.
8. No part of the contents contained herein may be reprinted or reproduced without our prior permission.

Copyright 2001 Oki Electric Industry Co., Ltd.