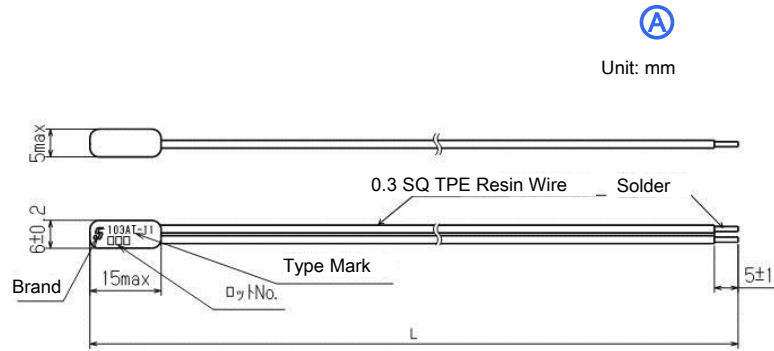


xxxAT-11

Type	R ₂₅	B _{25/85}	Dissipation mW/°C	Thermal time constant s ^{※1}	Max. power mW at 25°C	Temp. range °C
102AT-11	1.00kΩ ±1%	3100K±1%	approx. 2.6	約75	13	-50~+90
202AT-11	2.00kΩ ±1%	3182K±1%				
502AT-11	5.00kΩ ±1%	3324K±1%				
103AT-11	10.0kΩ ±1%	3435K±1%				-50~+105
203AT-11	20.0kΩ ±1%	4013K±1%				

- ◆Dielectric Strength Voltage: AC1200V 1 sec.
- ◆Insulation Resistance: DC500V 100MΩ+

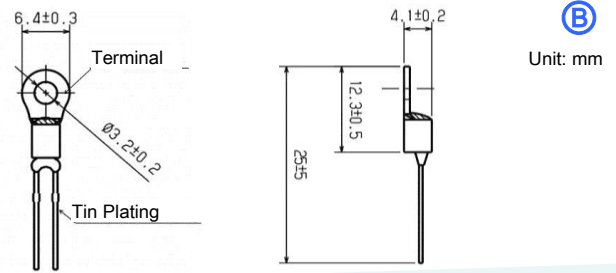


Unit: mm

103AT-2-34119

R ₂₅	B _{25/85}	Dissipation mW/°C	Thermal time constant s ^{※1}	Max. power mW at 25°C	Temp. range °C
10.0kΩ ±1%	3435K±1%	approx. 3.0	approx. 80	15	-10~+105

- ◆Dielectric Strength Voltage: AC600V 1 sec.
- ◆Insulation Resistance: DC500V 100MΩ+

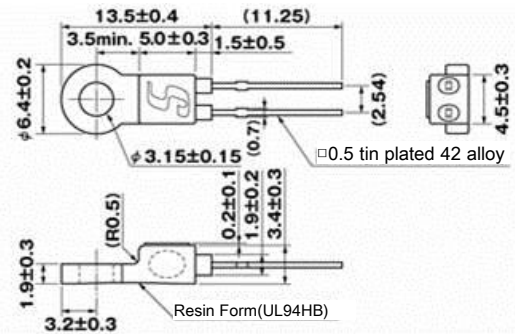


Unit: mm

EC2F103A2-xxxxx

Type	R ₂₅	B _{25/85}	Resin color	Temp. range °C
EC2F102A2-71014	1kΩ ±1%	3100K±1%	Light blue	-40~+90
EC2F202A2-71048	2kΩ ±1%	3182K±1%	Red	
EC2F502A2-40103	5kΩ ±1%	3324K±1%	Gray	-40~+110
EC2F103A2-40113	10kΩ ±1%	3435K±1%	Black	
EC2F203A2-70030	20kΩ ±1%	4013K±1%	Blue	
EC2F503A2-70456	50kΩ ±1%	4060K±1%	White	
EC2F104A2-60109	100kΩ ±1%	4665K±1%	Green	

- ◆Dissipation factor: approx. 3.0mW/°C
- ◆Dielectric strength voltage: AC2400V 1 sec.
- ◆Thermal time constant: approx. 80 sec.
- ◆Insulation Resistance: DC500V 100MΩ+

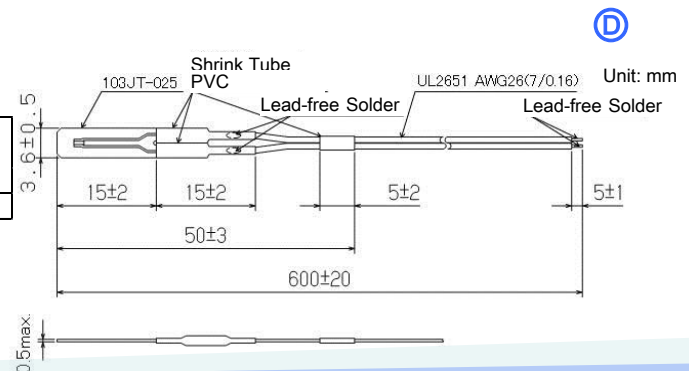


Unit: mm

103JT-025-600AY

R ₂₅	B _{25/85}	Dissipation factor mW/°C	Thermal time constant s ^{※1}	Max. power dissipation mW at 25°C	Temp. range ※3 °C
10.0kΩ ±1%	3435K±1%	approx. 0.7	approx. 5	3.5	-30~+105

- ◆Dielectric Strength Voltage: AC120V 1 sec.
- ◆Insulation Resistance: DC100V 100MΩ+

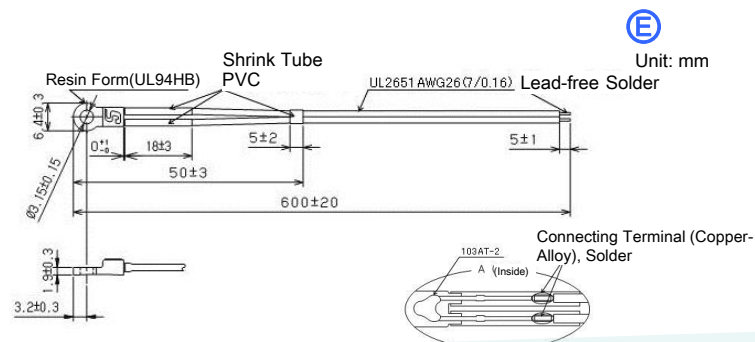


Unit: mm

EC2F103A2-40113-600AY

R ₂₅	B _{25/85}	Dissipation Factor mW/°C	Thermal time constant s ^{※1}	Max. Power Dissipation	Temp. range ※3 °C
10.0kΩ ±1%	3435K±1%	approx. 3.0	approx. 80	15	-30~+105

- ◆Dielectric Strength Voltage: AC2400V 1 sec.
- ◆Insulation Resistance: DC500V 100MΩ+



Unit: mm



EF1M493G2-ASSY-1 EF1M493G2-ASSY-2

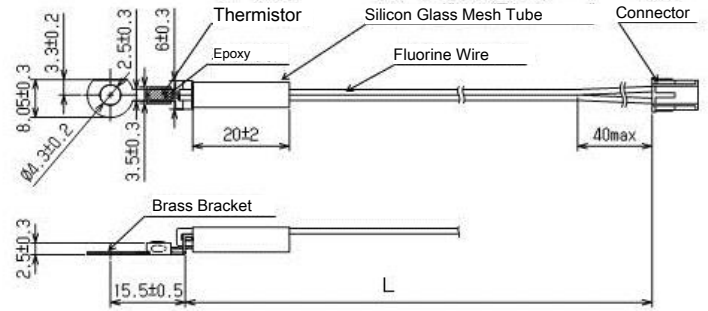
Ⓕ

Unit: mm

R_{100}	$B_{0/100}$	Dissipation factor mW/°C	Thermal time constant s ^{※1}	Max. power dissipation mW at 25°C	Temp. range ※3 °C
3.3kΩ ±2.5%	3970K ±2%	approx. 2.2	approx. 78	11	-20~+180

- ◆Dielectric Strength Voltage: AC1200V 1 sec.
- ◆Insulation Resistance: DC500V 100MΩ+

No	L	Connector
1	185±5	XAP-02V(blue)
2	290±10	XAP-02V(white)



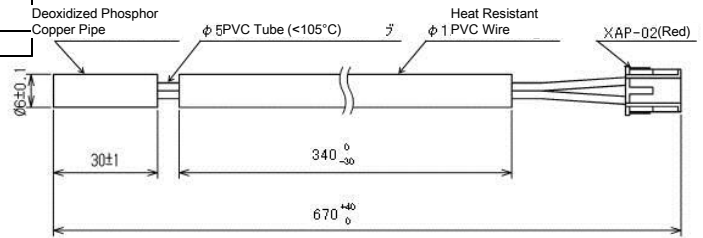
EP1C212C0-ASSY-3

Ⓖ

Unit: mm

R_{35}	$B_{0/25}$	Dissipation factor mW/°C	Thermal time constant s ^{※2}	Max. power dissipation mW at 25°C	Temp. range ※3 °C
1.433kΩ ±2%	3400K ±2%	approx. 5.0	approx. 10	25	-30~+80

- ◆Dielectric Strength Voltage: AC1800V 1 sec.
- ◆Insulation Resistance: DC500V 100MΩ+



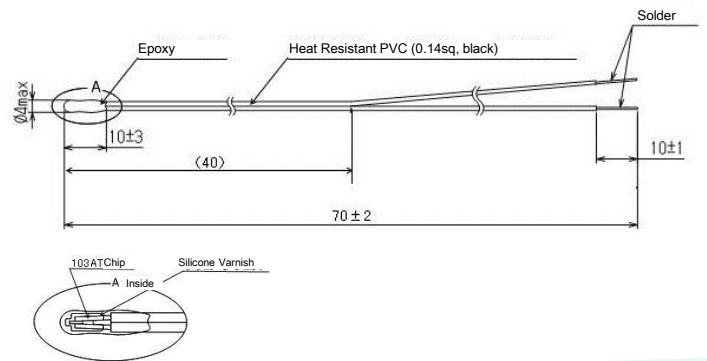
ED5F103A2-ASSY-4

Ⓗ

Unit: mm

R_{25}	$B_{25/85}$	Dissipation factor mW/°C	Thermal time constant s ^{※2}	Max. power dissipation mW at 25°C	Temp. range °C
10.0kΩ ±1%	3435K ±1%	approx. 4.0	approx. 2	20	-30~+80

- ◆Dielectric Strength Voltage: AC1500V 1 sec.
- ◆Insulation Resistance: DC500V 100MΩ+



104AT-4-ASSY-5

Ⓘ

Unit: mm

R_{25}	$B_{25/85}$	Dissipation factor mW/°C	Thermal time constant s ^{※1}	Max. power dissipation mW at 25°C	Temp. range °C
100.0kΩ ±1%	4261K ±1%	approx. 4.0	approx. 35	20	-40~+90

- ◆Dielectric Strength Voltage: AC600V 1 sec.
- ◆Insulation Resistance: DC500V 100MΩ+

