

Air Conditioning

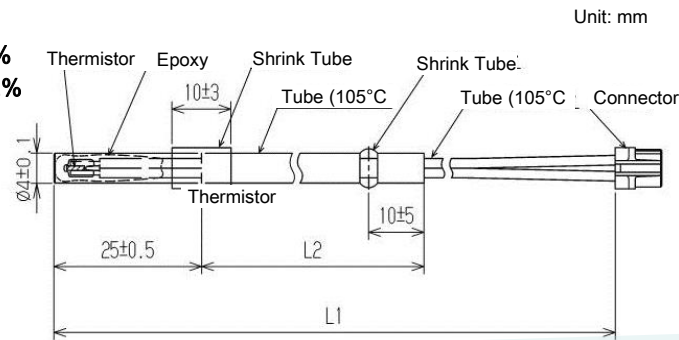
⑰ Copper Pipe Sensor



Zero Power Resistance : $R_{55} = 14.05k\Omega \pm 3\%$
 B value : $B_{25/50} = 4120K \pm 2\%$
 Temperature range : $-20^{\circ}C - 80^{\circ}C$

- ◆ Thermal Time Constant: approx. 8 sec. (in stirred water)
- ◆ Dielectric Strength Voltage: AC 2200V 1 sec.
- ◆ Insulation Resistance: DC 500V 100M Ω +

Features: A temperature sensor that is inserted into a copper pipe and can be used for a wide variety of purposes.



Unit: mm

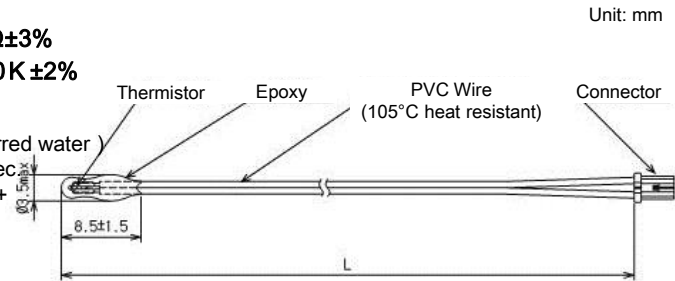
⑱ Dip Sensor



Zero Power Resistance: $R_{25} = 10.0k\Omega \pm 3\%$
 B value : $B_{25/50} = 3950K \pm 2\%$
 Temperature range : $-20^{\circ}C - 80^{\circ}C$

- ◆ Thermal Time Constant: ca. 5 sec. (in stirred water)
- ◆ Dielectric Strength Voltage: AC 2200V 1sec
- ◆ Insulation Resistance: DC 500V 100M Ω +

Features: A temperature sensor that has been dipped in epoxy resin and optimized for measuring room temperature.



Unit: mm

Refrigerator

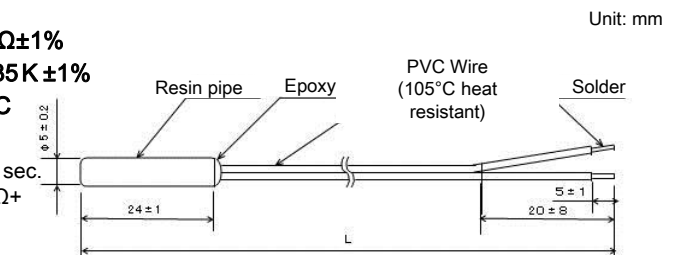
⑲ Resin Pipe Sensor



Zero Power Resistance: $R_{25} = 10.0k\Omega \pm 1\%$
 B value : $B_{25/85} = 3435K \pm 1\%$
 Temperature range : $-30^{\circ}C - 90^{\circ}C$

- ◆ Thermal Time Constant: approx. 20 sec.
- ◆ Dielectric Strength Voltage: AC 1800V 1 sec.
- ◆ Insulation Resistance: DC 500V 100M Ω +

Features: A temperature sensor in a resin pipe that allows accurate measurement of low temperatures.

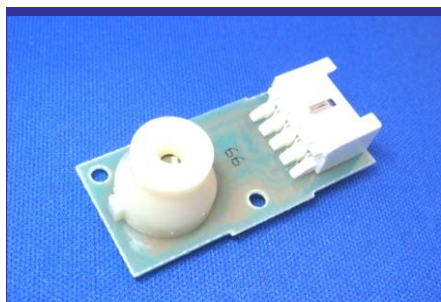


Unit: mm

⑳ Thermopile Module

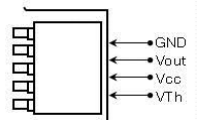
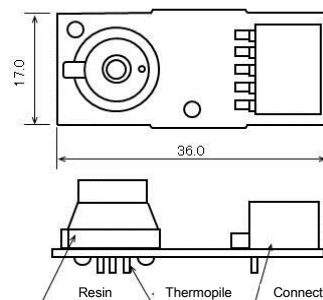
Non Contact

Features: A module version of the infrared based Thermopile non contact Sensor.



Measured Temperature: $0^{\circ}C \pm 3.0^{\circ}C$
 Output Voltage : $0.547V - 3.453V$
 Measuring temp. range: $-35^{\circ}C - 35^{\circ}C$
 Temperature range : $-35^{\circ}C - 35^{\circ}C$

- ◆ Response : approx. 10ms
- ◆ Angle : type55
- ◆ Rated voltage : + 5.5V

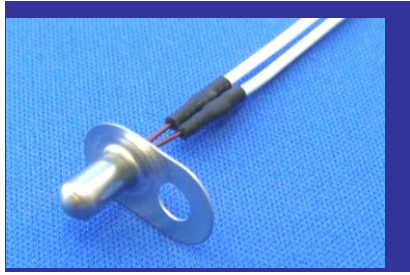


Unit: mm

Microwave Oven

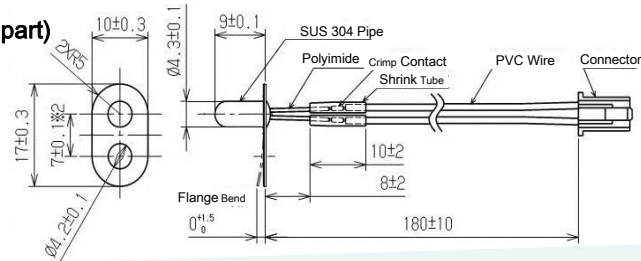
① Flange Pipe Sensor

Features: Easy to mount highly heat resistant temperature sensor with integrated flange.



Zero Power Resist.: $R_{50} = 4.367k\Omega \pm 5\%$
 B value : $B_{0/100} = 3450K \pm 3\%$
 Temperature range: $-30^{\circ}C - 180^{\circ}C$ (Sensing part)

- ◆ Thermal Time Constant: approx. 80 sec.
- ◆ Dielectric Strength Voltage: AC 1200V 1 sec.
- ◆ Insulation Resistance: DC 500V 100M Ω +



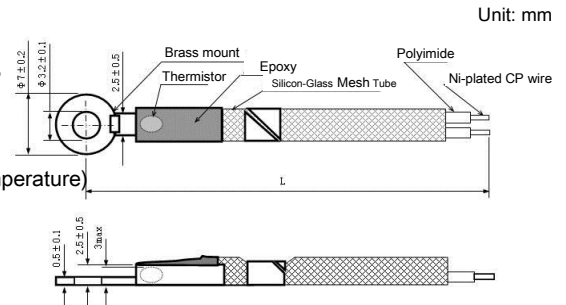
② Screw Mount Sensor

Features: A highly heat resistant screw mount type temperature sensor with a metal terminal part.



Zero Power Resistance: $R_{75} = 7.241k\Omega \pm 7\%$
 B value : $B_{0/100} = 3970K \pm 2\%$
 Temperature range : $-20^{\circ}C - 200^{\circ}C$

- ◆ Thermal Time Constant: approx. 9 sec. (room temperature)
- ◆ Dielectric Strength Voltage: AC 1200V 1 sec.
- ◆ Insulation Resistance: DC 500V 100M Ω +



Water Heater / Warm Water Toilet Seat

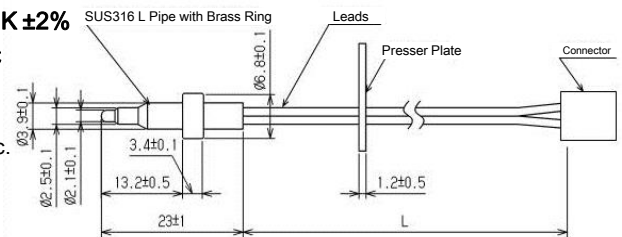
③ SUS 3 level Pipe Sensor

Features: A temperature sensor optimized for water temperature measurement with thin SUS Pipe terminal for high response speed.



Zero Power Resistance: $R_{50} = 17.60k\Omega \pm 3\%$
 B value : $B_{0/100} = 3970K \pm 2\%$
 Temperature range $\times 1$: $-20^{\circ}C - 120^{\circ}C$

- ◆ Thermal Time Constant: under 1 sec. (in stirred water)
- ◆ Dielectric Strength Voltage: AC 1200V 1 sec.
- ◆ Insulation Resistance: DC 500V 100M Ω +



$\times 1$: without connector

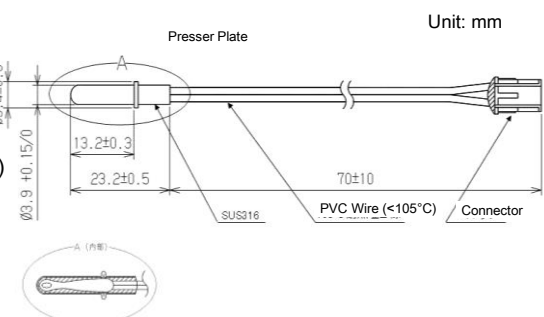
④ SUS Pipe Sensor

Features: A temperature sensor optimized for water temperature measurement that is inserted into an SUS Pipe.



Zero Power Resistance: $R_{40} = 26.06k\Omega \pm 3\%$
 B value : $B_{0/100} = 3970K \pm 2\%$
 Temperature range : $-20^{\circ}C - 80^{\circ}C$

- ◆ Thermal Time Constant: ca. 3.6 sec. (in stirred water)
- ◆ Dielectric Strength Voltage: AC 1500V 1 sec.
- ◆ Insulation Resistance: DC 500V 100M Ω +



Power Conditioner

⑤ Screw Mount Sensor

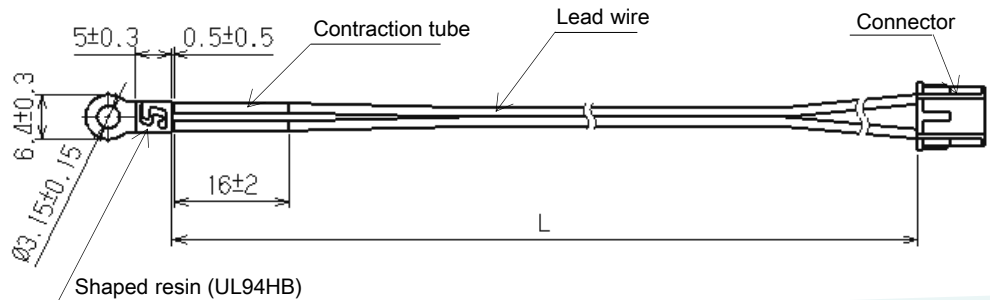
Zero Power Resistance: $R_{25} = 20.0k\Omega \pm 1\%$
 B value : $B_{25/85} = 4013K \pm 1\%$
 Temperature range : $-40^{\circ}C - 105^{\circ}C$

- ◆ Thermal Time Constant: approx. 80 sec.
- ◆ Dielectric Strength Voltage: AC 2400V 1 sec.
- ◆ Insulation Resistance: DC 500V 100M Ω +



Features: Formed resin screw mount type temperature sensor with excellent insulation.

Unit:mm



Rechargeable Battery

⑥ Dip Sensor (AR)

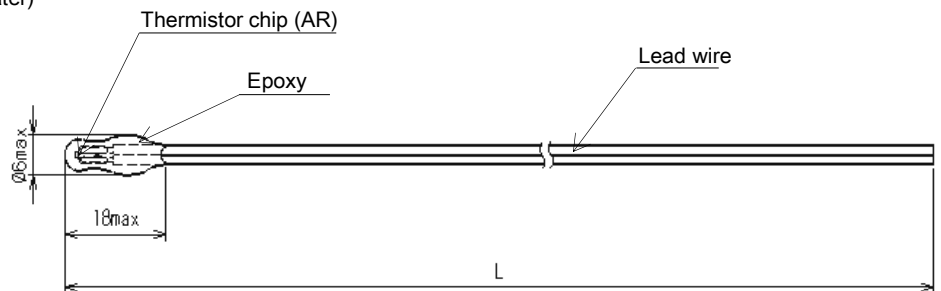
Zero Power Resistance : $R_{55} = 14.05k\Omega \pm 1.5\%$
 B value : $B_{25/85} = 4120K \pm 1\%$
 Temperature range : $-30^{\circ}C - 105^{\circ}C$

- ◆ Thermal Time Constant: approx. 5 sec.(in stirred water)
- ◆ Dielectric Strength Voltage: AC 1800V 1 sec.
- ◆ Insulation Resistance: DC 500V 100M Ω +



Features: Highly reliable temperature sensor that has been dipped in epoxy resin.

Unit:mm



Fire Alarm

⑦ Dip Sensor

Zero Power Resistance : $R_{25} = 226.0k\Omega \pm 3\%$
 B value : $B_{25/85} = 4021K \pm 1\%$
 Temperature range : $-40^{\circ}C - 100^{\circ}C$

- ◆ Thermal Time Constant: approx. 18 sec.
- ◆ Dielectric Strength Voltage: AC 600V 1 sec.
- ◆ Insulation Resistance: DC 500V 100M Ω +



Features: Highly responsive temperature sensor that has been dipped in epoxy resin.

Unit:mm

