

SUBMERSIBLE / LEVEL PRESSURE TRANSDUCER / TRANSMITTER

Models 1102, 1103

TARGET APPLICATIONS:

- Industrial OEM
- Level & Depth
- Water & Waste Water Treatment
- Irrigation
- Groundwater Testing
- Food & Beverage

FEATURES:

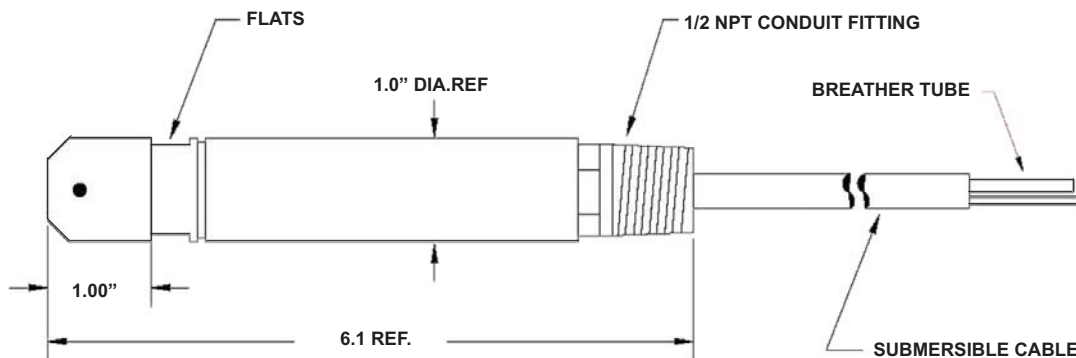
- Low Cost, High Accuracy, High Reliability
- 0.5% FSO standard accuracy, 0.25% typical
- Small Size - 1" diameter, Lightweight
- Rugged, all welded construction
- 1/2" NPT Conduit Thread Standard
- IP68 Rated
- Operating Temperature -40°F to +180°F

PRESSURE RANGES:

- From 0-15 To 0-500 psig (See ordering guide)



INDUSTRIAL GRADE



Some options will affect dimensions. Consult factory if important.

WIRING CODE

	1102	1103
RED	+ EXC.	+ EXC./SIGNAL
BLACK	- EXC.	- EXC./SIGNAL
GREEN	+ SIGNAL	NC
SHIELD	OPEN	OPEN

To avoid ground loops, earth ground the shield wire or the transducer/transmitter case, but not both.

GP:50 reserves the right to make product improvements and amendments to the product specifications stated throughout this brochure without prior notification. Please contact the factory on all critical dimensions and specifications for verification.

A5SL-1100.00

