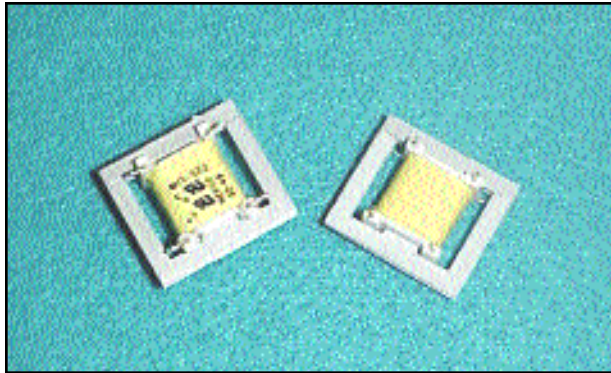


Analog Telephony / Modem Couplers



FEATURES

- Suitable for modem speeds up to V.34 (33.6 kbps)
- Cost-effective “Wet” coupler construction reduces DAA components..
- Total Harmonic Distortion rated -79 dB typ. @ 600 Hz, -10 dBm typ.
- Insertion Loss rated 3.25 dB typ. @1000 Hz..
- Complies with IEC60950 Supplementary safety norms. Designed to meet Bellcore GR-1089-CORE surge test.
- Reflects 600 Ohms on Primary with 260 Ohms Secondary Load. See circuit for best Return Loss.
- Uses minimal external components for impedance matching for pan-European CTR-21 telephone lines.
- Small PCB footprint (24.0 mm x 23.0 mm) Low-Profile (12.0 mm). Industry-standard pin configuration.

DESCRIPTION

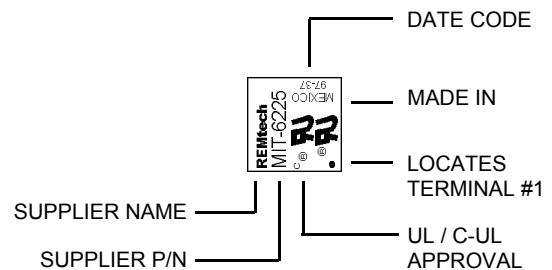
The REMtech Magnetics MIT-6225 is a “Wet” Modem Isolation Transformer suitable for up to V.34 (33.6 kbps) analog modem and voice applications compliant with Worldwide safety norms.

MIT-6225 applications include fax machines, DBS/ Set-top boxes, computer telephony, POS, security, and electric, metering applications. May be suitable for pan-European CTR-21 designs, and meets new UL1950 safety requirements for the domestic market.

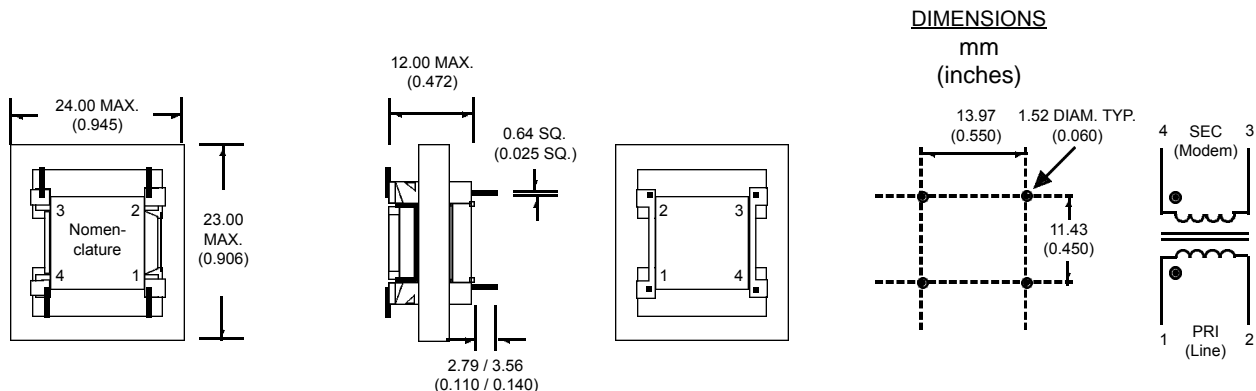
PRODUCT COMPLIANCE

- UL / C-UL recognized file number: E171120
- BSI certificate number(s): 8047, 8048
- BABT certificate of recognition: 1905

NOMENCLATURE (Fig. 1)



MECHANICAL DIMENSIONS (Fig. 2)



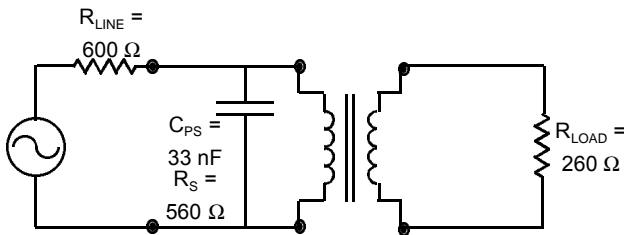
Literature Number: DSA.MIT-6225
© Copyright 2000, REMtech Corporation
All rights reserved. Printed in U.S.A.
9/00

ELECTRICAL PERFORMANCE SPECIFICATIONS

Electrical Performance Specifications (T_A = 25 °C unless otherwise specified)

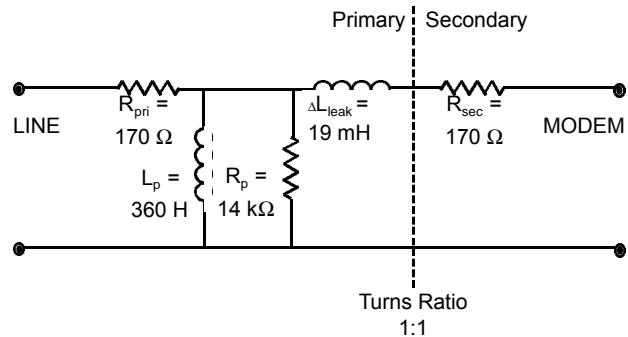
PARAMETERS	CONDITIONS	MIN	TYP	MAX	UNITS
Impedance	Reflected on Primary With Load on Secondary	-	600	-	Ohms
		-	260	-	Ohms
Total Harmonic Distortion	@ 600 Hz, -10 dBm	-	-79		dB dB
Insertion Loss	Per IEEE method; @ 1000 Hz	-	3.25	3.75	dB
Return Loss	300 Hz - 3000 Hz Per 600 Ohm Match (Fig. 3) Per CTR21 Pan-Euro Match (Fig. 10)	18	-	-	dB
		8			dB
Dielectric Breakdown Isolation Production methods applied:	Safety Standard tested 1 Min. HiPot Voltage Duration Trip Leakage Current	1500	-	-	Vrms
		2000	-	-	Vrms
		2	-	-	Sec
		-	-	200	µA
Frequency Response	200 Hz - 4000 Hz	-	±2.20	-	dB
Longitudinal Balance	Per FCC part 68.310 60 Hz - 1000 Hz 1000 Hz - 4000 Hz	60	-	-	dB
		40	-	-	dB
DC Resistance @ 20°C, ±10%	Primary Winding Secondary Winding	-	170	-	Ohms
		-	170	-	Ohms
DC Current in Primary	-	-	50	-	mADC
Turns Ratio	Primary to Secondary; ±2%	-	1:1	-	Turns
Operating Temperature	-	-40	-	105	°C
Storage Temperature	-	-40	-	125	°C
Soldering Temperature	10 Sec. Max.	-	-	260	°C

600 OHM MATCH (Fig. 3)



SCHEMATIC EQUIVALENT (Fig. 4)

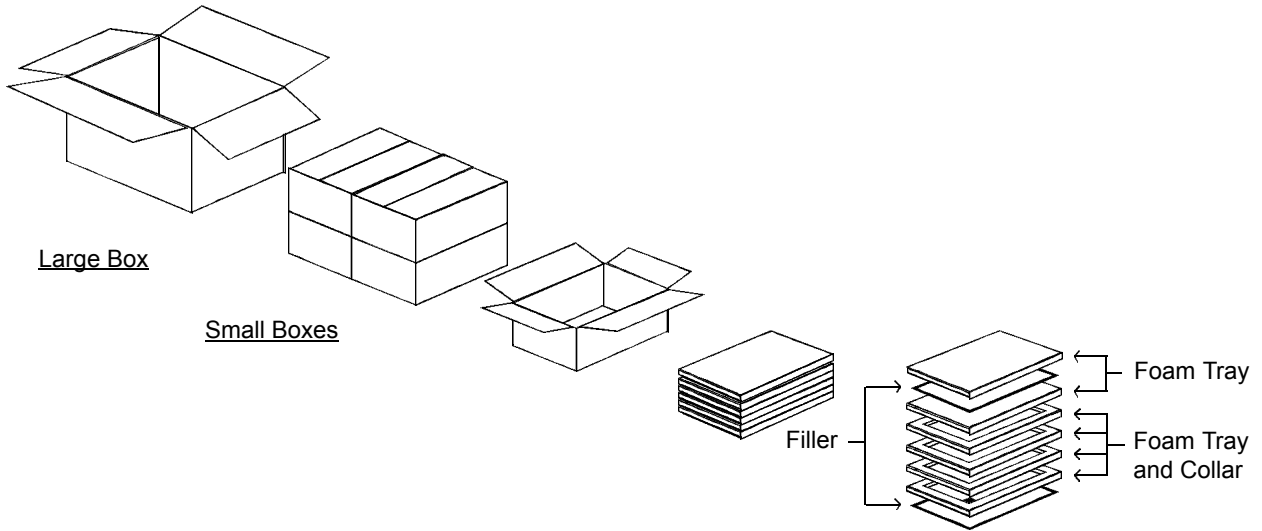
(Typical Transformer Model @ 1 V, 1 kHz)



REMtech Corporation makes no assertion or warranty that the circuitry and the uses thereof disclosed herein are non-infringing on any valid US or foreign patents. REMtech assumes no liability as a result of the use of said specifications and reserves the right to make changes to specifications without notice. REMtech does not authorize or warrant any REMtech device for use in life support devices and/or systems. Contact your nearest REMtech Sales Office for the latest specifications.

Literature Number: DSB.MIT-6225
© Copyright 2000, REMtech Corporation
All rights reserved. Printed in U.S.A.
9/00

STANDARD PACKAGING (Fig. 9)

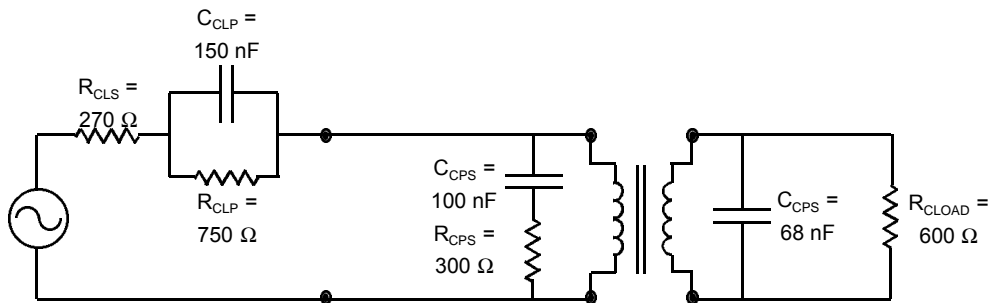


Packaging

Material	Contents	#Transformers
Large Box	4 Small Boxes	1408
Small Box	4 Trays	352
Tray	88 Transformers	88
---	Transformer	1

PAN-EUROPEAN CTR21 MATCH (Fig. 10)

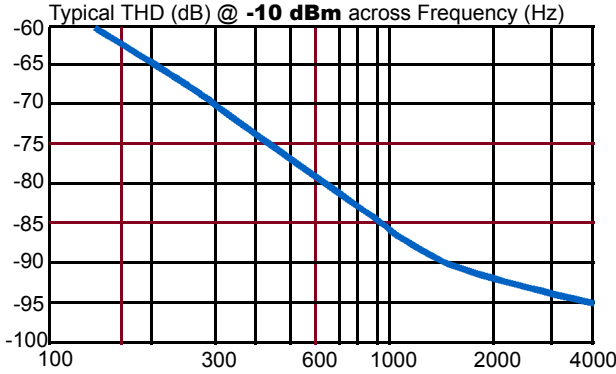
(Application circuits available on request for specific national match requirements.)



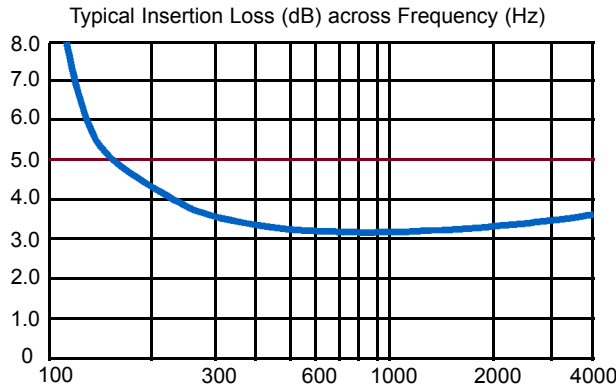
Literature Number: DSC.MIT-6225
© Copyright 2000, REMtech Corporation
All rights reserved. Printed in U.S.A.
9/00

PERFORMANCE DATA

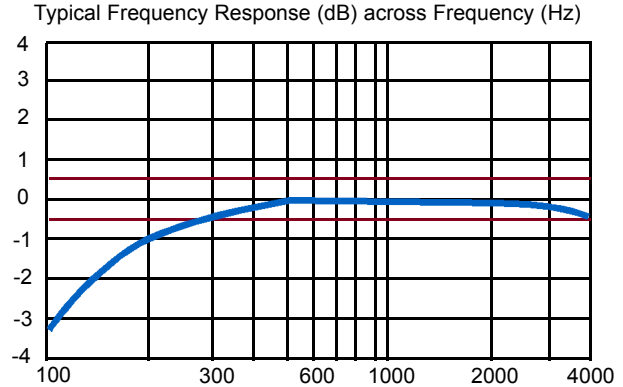
TOTAL HARMONIC DISTORTION (Fig. 5)



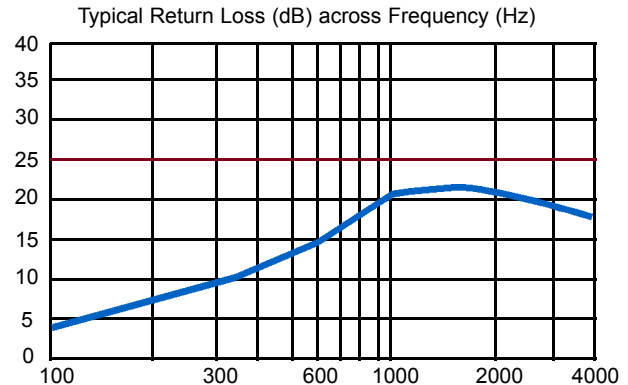
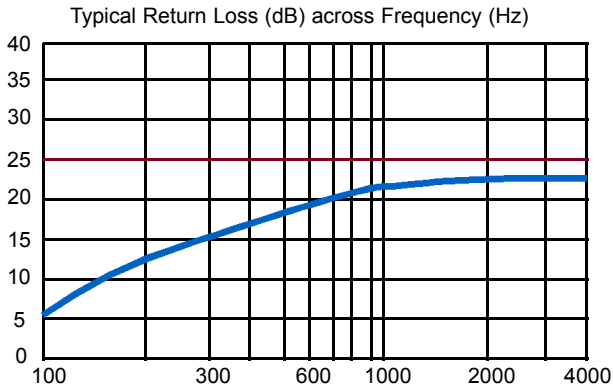
INSERTION LOSS (Fig. 6)



FREQUENCY RESPONSE (Fig. 7)



RETURN LOSS (Fig. 8)



REMtech Corporation makes no assertion or warranty that the circuitry and the uses thereof disclosed herein are non-infringing on any valid US or foreign patents. REMtech assumes no liability as a result of the use of said specifications and reserves the right to make changes to specifications without notice. REMtech does not authorize or warrant any REMtech device for use in life support devices and/or systems. Contact your nearest REMtech Sales Office for the latest specifications.

Literature Number: DSD.MIT-6225
 © Copyright 2000, REMtech Corporation
 All rights reserved. Printed in U.S.A.
 9/00