

Optical Strain Gage | os3155

Applications

- Continuous lifetime health monitoring of bridges, dams, buildings, tunnels, ships, aircraft, trains, and other complex structures.
- Measurement of strain on a structure's surface.
- Experimental mechanics evaluations requiring many sensors.

Features

- Rugged, permanent weldable package.
- Temperature compensation sensor integrated inside.
- Close proximity of strain FBG to temperature FBG improves accuracy of strain measurement.
- Qualified to same rigorous standards used for comparable electronic gages.
- Armored cable integrated with sensor package for fiber protection and strain relief.
- Fast, simple, repeatable installation.
- Double ended design supports multiplexing of many sensors on one fiber.
- Gage installation and protection achieved with same methods as conventional electronic gages.
- Micron Optics' patented micro opto-mechanical technology.
- Included in ENLIGHT's sensor templates - allows for quick and easy optical to mechanical conversions.

Description

The os3155 is a rugged strain gage with integrated temperature compensation. Both strain and temperature compensation measurements are based on fiber Bragg grating (FBG) technology.

Optimized for outdoor installations on steel structures, the os3155's stainless steel carrier holds the FBG in tension and protects the fiber during installation. Since there are no epoxies holding the fiber to the carrier, long term stability is ensured by design.

The design is similar to the os3150 rugged strain gage but the os3155 includes a second FBG which provides active temperature compensation. The benefits of this approach include both more accurate temperature compensation (since the strain and temperature measurements are made in close proximity) and lower-cost installation (by reducing the need for additional cables, splices and handling to connect additional temperature gages).



os3155 Optical Strain Gage

The sensors can be installed in just a few minutes. Since the gages are welded in place, they can be used immediately after attachment without waiting for adhesives to cure. Armored cables lead to and from each gage, making both installation and fiber protection fast and easy. Optional protection fittings help prevent damage to series connections even in harsh environments. This enables fast reliable field connections to other optical strain, acceleration or temperature sensors on the same fiber. The entire strain gage package is typically covered with a protective material to complete installation for long term protection.



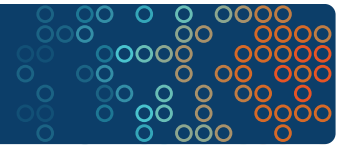
Protection Fitting

In side by side comparisons with foil strain gages, the os3155 is equally sensitive and accurate, while providing for greater strain range and 100 times more fatigue life. The os3155 strain gage is qualified for use in harsh environments and delivers the many advantages inherent to all FBG based sensors.

This sensor can be used alone or in series as a part of an FBG sensor array. Installation and cabling for such arrays is much less expensive and cumbersome than comparable electronic gage networks. Multiple optical strain gages can be arranged in close proximity at 0, 45 and 90 degrees for strain rosette measurements.

TEL: 0755-83376489 83370245 83376182 83376549
 FAX: 0755-83376182
 (0)13902971329
 E-MAIL: xjr5@163.com
<http://www.sensor-ic.com/>

Optical Strain Gage | os3155



Specifications β ¹

os3155

Performance Properties

Strain Sensitivity ²	~ 1.2 pm/ $\mu\epsilon$
Gage Length	50 mm
Operating Temperature Range	-40 to 80° C
Strain Limits	$\pm 2,500 \mu\epsilon$
Fatigue Life	100 x 10 ⁶ cycles, $\pm 2,000 \mu\epsilon$

Physical Properties

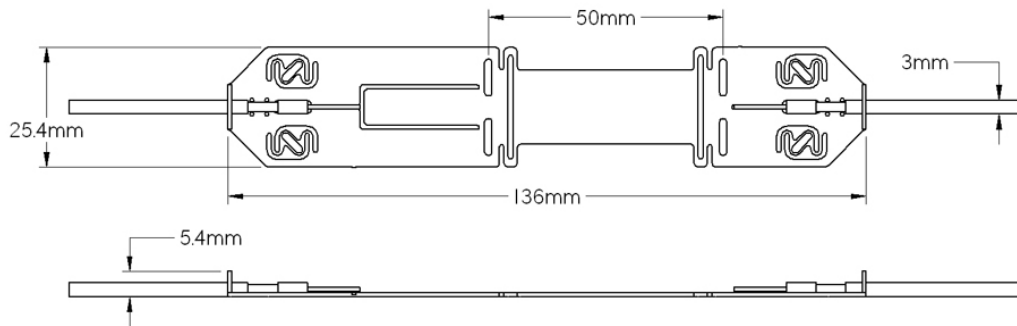
Dimensions	See Diagram Below
Weight (without cable)	17 g
Carrier Material	302 Stainless Steel
Cable Length	1 m (± 10 cm), each end
Fiber Type	SMF28-Compatible
Cable Type	3 mm Armored Cable
Connectors	FC/APC and Connector Protection Fitting optional
Cable Bend Radius	≥ 17 mm
Fastening Method ³	Spot Weld

Optical Properties

Peak Reflectivity (Rmax)	> 70%
FWHM (-3 dB point)	0.25 nm ($\pm .05$ nm; apodized grating)
Isolation	> 15 dB (@ ± 0.4 nm around center wavelength)

Notes:

1. Denotes Beta product. For more details see www.micronoptics.com/product_designation.php.
2. Actual gage factor provided with gage.
3. See http://www.micronoptics.com/support_downloads/Sensors/ for installation details.



Ordering Information

os3155-tttt/sss-1xx-1yy

(Example: os3155-1512/1516-1FC-1FC)

tttt/sss: Wavelength (± 1 nm) Standard: 1512/1516, 1522/1526, 1532/1536, 1542/1546, 1552/1556, 1562/1566, 1572/1576, 1582/1586 Extended: 1460 to 1620 nm	1xx: Cable 1, Length & Connector 1 1 m Standard, Cable Length UT Underminated FC FC/APC Connector PF FC/APC Connector with Protection Fitting LC LC/APC Connector	1yy: Cable 2, Length & Connector 1 1 m Standard, Cable Length UT Underminated FC FC/APC Connector PF FC/APC Connector with Protection Fitting
--	---	--

SUNSTAR实业集团是集研发、生产、工程、销售、代理经销、技术咨询、信息服务等为一体的高科技企业，是专业高科技电子产品生产厂家，是具有10多年历史的专业电子元器件供应商，是中国最早和最大的仓储式连锁规模经营大型综合电子零部件代理分销商之一，是一家专业代理和分销世界各大品牌IC芯片和电子元器件的连锁经营综合性国际公司。在香港、北京、深圳、上海、西安、成都等全国主要电子市场设有直属分公司和产品展示展销窗口门市部专卖店及代理分销商，已在全国范围内建成强大统一的供货和代理分销网络。我们专业代理经销、开发生产电子元器件、集成电路、传感器、微波光电元器件、工控机/DOC/DOM电子盘、专用电路、单片机开发、MCU/DSP/ARM/FPGA软件硬件、二极管、三极管、模块等，是您可靠的一站式现货配套供应商、方案提供商、部件功能模块开发配套商。专业以现代信息产业（计算机、通讯及传感器）三大支柱之一的传感器为主营业务，专业经营各类传感器的代理、销售生产、网络信息、科技图书资料及配套产品设计、工程开发。我们的专业网站——**中国传感器科技信息网（全球传感器数据库）www.SENSOR-IC.COM** 服务于全球高科技生产商及贸易商，为企业科技产品开发提供技术交流平台。欢迎各厂商互通有无、交换信息、交换链接、发布寻求代理信息。欢迎国外高科技传感器、变送器、执行器、自动控制产品厂商介绍产品到**中国**，共同开拓市场。本网站是关于各种传感器-变送器-仪器仪表及工业自动化大型专业网站，深入到工业控制、系统工程计 测计量、自动化、安防报警、消费电子等众多领域，把最新的传感器-变送器-仪器仪表买卖信息，最新技术供求，最新采购商，行业动态，发展方向，最新的技术应用和市场资讯及时的传递给广大科技开发、科学研究、产品设计人员。本网站已成功为石油、化工、电力、医药、生物、航空、航天、国防、能源、冶金、电子、工业、农业、交通、汽车、矿山、煤炭、纺织、信息、通信、IT、安防、环保、印刷、科研、气象、仪器仪表等领域从事科学研究、产品设计、开发、生产制造的科技人员、管理人员、和采购人员提供满意服务。 **我公司专业生产、代理、经销、销售各种传感器、变送器、敏感元器件、开关、执行器、仪器仪表、自动化控制系统：专门从事设计、生产、销售各种传感器、变送器、各种测控仪表、热工仪表、现场控制器、计算机控制系统、数据采集系统、各类环境监控系统、专用控制系统应用软件以及嵌入式系统开发及应用等工作。如热敏电阻、压敏电阻、温度传感器、温度变送器、湿度传感器、湿度变送器、气体传感器、气体变送器、压力传感器、压力变送、称重传感器、物（液）位传感器、物（液）位变送器、流量传感器、流量变送器、电流（压）传感器、溶氧传感器、霍尔传感器、图像传感器、超声波传感器、位移传感器、速度传感器、加速度传感器、扭距传感器、红外传感器、紫外传感器、火焰传感器、激光传感器、振动传感器、轴角传感器、光电传感器、接近传感器、干簧管传感器、继电器传感器、微型电泵、磁敏（阻）传感器、压力开关、接近开关、光电开关、色标传感器、光纤传感器、齿轮测速传感器、时间继电器、计数器、计米器、温控仪、固态继电器、调压模块、电磁铁、电压表、电流表等特殊传感器。同时承接传感器应用电路、产品设计和自动化工程项目。**

欢迎索取免费详细资料、设计指南和光盘；产品凡多，未能尽录，欢迎来电查询。

更多产品请看本公司产品专用销售网站：

中国传感器科技信息网：<http://www.sensor-ic.com/>工控安防网：<http://www.pc-ps.net/>

电子元器件网：<http://www.sunstare.com/>微波光电产品网：[HTTP://www.rfoe.net/](http://www.rfoe.net/)

消费电子产品网：<http://www.icasic.com/>军工产品网：<http://www.junpinic.com/>

实业科技产品网：<http://www.sunstars.cn/>传感器销售热线：

电话：0755-83607652 83376489 83376549 83370250 83370251

传真：0755-83376182 (0) 13902971329 MSN: SUNS8888@hotmail.com

邮编：518033 E-mail:szss20@163.com QQ: 195847376

技术支持：0755-83394033 13501568376