

## Advance Information



# HAL<sup>®</sup> 1820

Programmable Linear Hall  
Effect Sensor

**Copyright, Warranty, and Limitation of Liability**

The information and data contained in this document are believed to be accurate and reliable. The software and proprietary information contained therein may be protected by copyright, patent, trademark and/or other intellectual property rights of Micronas. All rights not expressly granted remain reserved by Micronas.

Micronas assumes no liability for errors and gives no warranty representation or guarantee regarding the suitability of its products for any particular purpose due to these specifications.

By this publication, Micronas does not assume responsibility for patent infringements or other rights of third parties which may result from its use. Commercial conditions, product availability and delivery are exclusively subject to the respective order confirmation.

Any information and data which may be provided in the document can and do vary in different applications, and actual performance may vary over time.

All operating parameters must be validated for each customer application by customers' technical experts. Any new issue of this document invalidates previous issues. Micronas reserves the right to review this document and to make changes to the document's content at any time without obligation to notify any person or entity of such revision or changes. For further advice please contact us directly.

Do not use our products in life-supporting systems, aviation and aerospace applications! Unless explicitly agreed to otherwise in writing between the parties, Micronas' products are not designed, intended or authorized for use as components in systems intended for surgical implants into the body, or other applications intended to support or sustain life, or for any other application in which the failure of the product could create a situation where personal injury or death could occur.

No part of this publication may be reproduced, photocopied, stored on a retrieval system or transmitted without the express written consent of Micronas.

**Micronas Trademarks**

– HAL

**Micronas Patents**

Choppered Offset Compensation protected by Micronas patents no. US5260614A, US5406202A, EP0525235B1 and EP0548391B1.

Sensor programming with VDD-Modulation protected by Micronas Patent No. EP 0 953 848.

**Third-Party Trademarks**

All other brand and product names or company names may be trademarks of their respective companies.

---

**Contents**

<b>Page</b>	<b>Section</b>	<b>Title</b>
<b>4</b>	<b>1.</b>	<b>Introduction</b>
4	1.1.	Major Applications
4	1.2.	Features
5	1.3.	Marking Code
5	1.4.	Operating Junction Temperature Range ( $T_J$ )
5	1.5.	Hall Sensor Package Codes
5	1.6.	Solderability and Welding
5	1.7.	Pin Connections and Short Descriptions
<b>6</b>	<b>2.</b>	<b>Functional Description</b>
6	2.1.	General Function
8	2.2.	Digital Signal Processing and EEPROM
8	2.2.1.	Customer Register I
8	2.2.2.	Customer Register II
9	2.2.3.	Customer register III and IV
9	2.2.4.	Signal Path
9	2.3.	Calibration Procedure
9	2.3.1.	General Procedure
<b>10</b>	<b>3.</b>	<b>Specifications</b>
10	3.1.	Outline Dimensions
15	3.2.	Dimensions of Sensitive Area
15	3.3.	Package Dimensions
15	3.4.	Absolute Maximum Ratings
16	3.4.1.	Storage and Shelf Life
16	3.5.	Recommended Operating Conditions
17	3.6.	Characteristics
18	3.7.	Magnetic Characteristics
20	3.7.1.	Definition of Sensitivity Error ES
<b>21</b>	<b>4.</b>	<b>Application Notes</b>
21	4.1.	Ambient Temperature
21	4.2.	EMC and ESD
21	4.3.	Application Circuit
21	4.4.	Temperature Compensation
<b>22</b>	<b>5.</b>	<b>Programming of the Sensor</b>
22	5.1.	Programming Interface
23	5.2.	Programming Environment and Tools
23	5.3.	Programming Information
<b>24</b>	<b>6.</b>	<b>Data Sheet History</b>

## Programmable Linear Hall Effect Sensor

### 1. Introduction

The HAL1820 is a new member of the Micronas family of programmable linear Hall-Effect Sensors.

The HAL1820 is a universal magnetic field sensor with a ratiometric, linear analog output. It is produced in CMOS technology and can be used for magnetic field measurements, current measurements, and detection of any mechanical movement. Very accurate angle measurements or distance measurements can also be done. The sensor is very robust and can be used in electrical and mechanical harsh environments. Major characteristics like magnetic field range, sensitivity, offset (output voltage at zero magnetic field) and the temperature coefficients are programmable in a non-volatile memory. The HAL1820 features a customer data register that enables the customer to store own production information (like production serial number) inside each sensor.

The sensor includes a temperature-compensated Hall plate with choppered offset compensation, an A/D converter, digital signal processing, an EEPROM memory with redundancy and lock function for the calibration data, a serial interface for programming the EEPROM, a ratiometric linear output and protection devices. The internal digital signal processing is of great benefit because analog offsets, temperature shifts, and mechanical stress do not degrade its accuracy.

The HAL1820 is programmable by modulation of the supply voltage. No additional programming pin is needed. The easy programmability allows a 2-point calibration by adjusting the output signal directly to the input signal (like mechanical angle, distance or current). Individual adjustment of each sensor during the customer's manufacturing process is possible. With this calibration procedure, the tolerances of the sensor, the magnet and the mechanical positioning can be compensated in the final assembly.

In addition, the temperature compensation of the Hall IC can be fit to all common magnetic materials by programming first and second order temperature coefficients of the Hall sensor sensitivity. This enables operation over the full temperature range with high accuracy.

The calculation of the individual sensor characteristics and the programming of the EEPROM memory can easily be done with a PC and the application kit from Micronas.

The sensor is designed for industrial and automotive applications and operates in the junction temperature range from  $-40\text{ }^{\circ}\text{C}$  up to  $170\text{ }^{\circ}\text{C}$ . The HAL1820 is available in the very small leaded packages TO92UA-1 and TO92UA-2 and in the SMD-package SOT89B-1.

### 1.1. Major Applications

Due to the sensor's robust characteristics, the HAL1820 is the optimal system solution for applications such as:

- linear position measurements,
- angle sensors,
- distance measurements,
- magnetic field and current measurement.

### 1.2. Features

- Ratiometric linear output proportional to the magnetic field
- Various programmable magnetic characteristics with non-volatile memory
- Digital signal processing
- Continuous measurement ranges from  $\pm 20\text{ mT}$  to  $\pm 160\text{ mT}$
- Customer readable Micronas production information (like Lotnumber, Wafernumber, etc.)
- Temperature characteristics programmable for matching all common magnetic materials
- Programming via supply voltage modulation
- Lock function and built-in redundancy for EEPROM memory
- Temperature and stress stable quiescent output voltage
- on-chip temperature compensation
- active offset compensation
- operates from  $-40\text{ }^{\circ}\text{C}$  up to  $170\text{ }^{\circ}\text{C}$  junction temperature
- operates from  $4.5\text{ V}$  up to  $5.5\text{ V}$  supply voltage in specification and functions up to  $6.5\text{ V}$
- operates with static magnetic fields and dynamic magnetic fields up to  $1\text{ kHz}$
- overvoltage and reverse-voltage protection at VDD pin
- magnetic characteristics extremely robust against mechanical stress
- short-circuit protected push-pull output
- EMC and ESD optimized design

**1.3. Marking Code**

The HAL1820 has a marking on the package surface (branded side). This marking includes the name of the sensor and the temperature range.

Type	Temperature Range	
	A	K
HAL 1820	1820A	1820K

**1.4. Operating Junction Temperature Range (T<sub>J</sub>)**

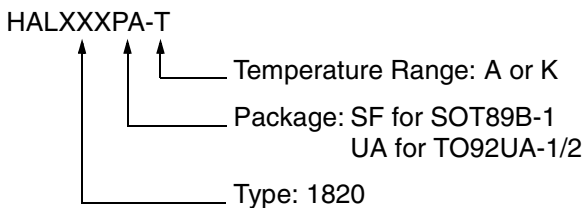
The Hall sensors from Micronas are specified to the chip temperature (junction temperature T<sub>J</sub>).

**A:** T<sub>J</sub> = -40 °C to +170 °C

**K:** T<sub>J</sub> = -40 °C to +140 °C

The relationship between ambient temperature (T<sub>A</sub>) and junction temperature is explained in Section 4.1. on page 21.

**1.5. Hall Sensor Package Codes**



Example: **HAL1820UA-K**

- Type: 1820
- Package: TO92UA-1/2
- Temperature Range: T<sub>J</sub> = -40 °C to +140 °C

Hall sensors are available in a wide variety of packaging versions and quantities. For more detailed information, please refer to the brochure: “Hall Sensors: Ordering Codes, Packaging, Handling”.

**1.6. Solderability and Welding**

**Soldering**

During soldering reflow processing and manual reworking, a component body temperature of 260 °C should not be exceeded.

**Welding**

Device terminals should be compatible with laser and resistance welding. Please note that the success of the welding process is subject to different welding parameters which will vary according to the welding technique used. A very close control of the welding parameters is absolutely necessary in order to reach satisfying results. Micronas, therefore, does not give any implied or express warranty as to the ability to weld the component.

**1.7. Pin Connections and Short Descriptions**

Pin No.	Pin Name	Type	Short Description
1	V <sub>DD</sub>	IN	Supply Voltage and Programming Pin
2	GND		Ground
3	OUT	OUT	Push-Pull Output in Application mode

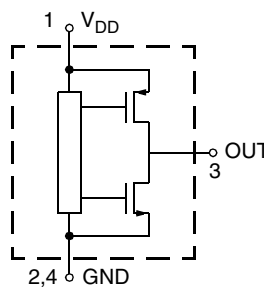


Fig. 1–1: Pin configuration

**2. Functional Description**

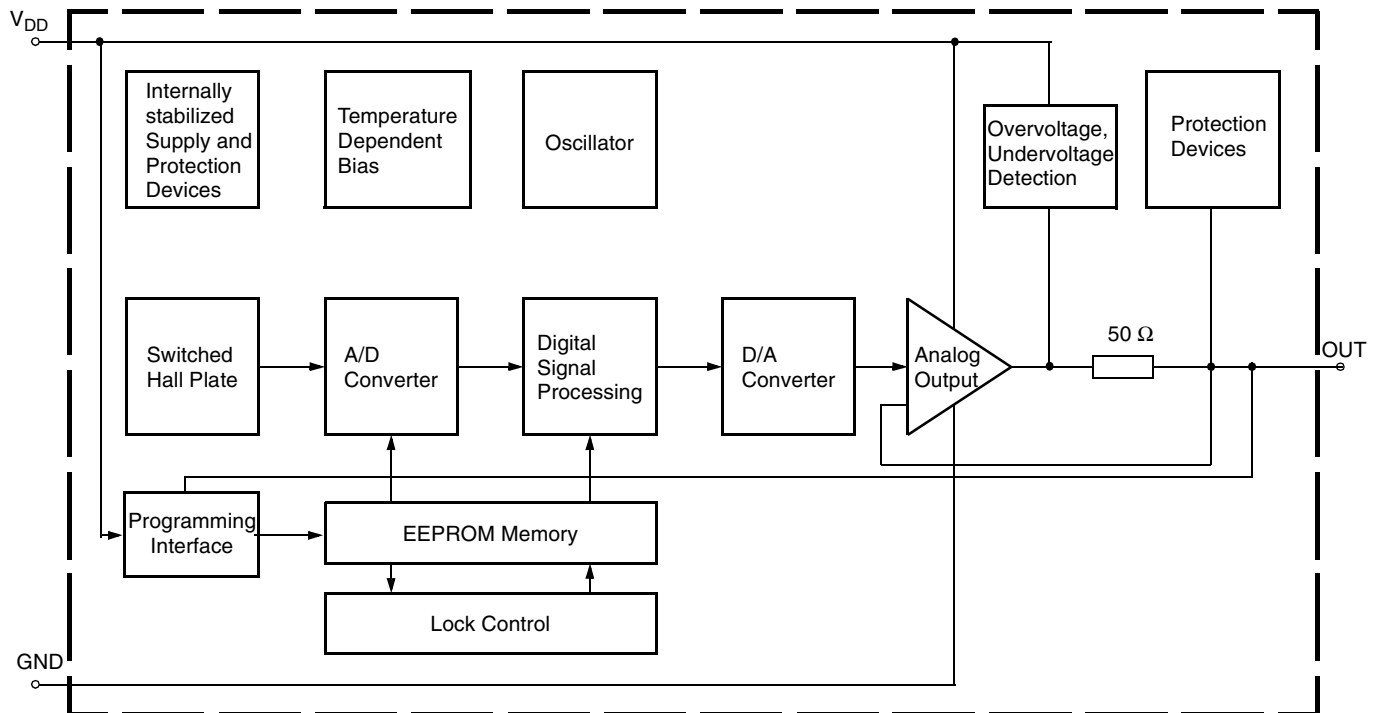
**2.1. General Function**

The HAL1820 is a monolithic integrated circuit which provides an output voltage proportional to the magnetic flux through the Hall plate and proportional to the supply voltage (ratiometric behavior).

The external magnetic field component perpendicular to the branded side of the package generates a Hall voltage. The Hall IC is sensitive to magnetic north and south polarity. This voltage is converted to a digital value, processed in the Digital Signal Processing Unit (DSP) according to the settings of the EEPROM registers, converted back to an analog voltage by a D/A converter and stabilized by a push-pull output transistor stage. The function and the parameter for the DSP are explained in Section 2.2. on page 8. Internal temperature compensation circuitry and the choppered offset compensation enables operation over the full temperature range with minimal changes in accuracy and high offset stability. The circuitry also rejects offset shifts due to mechanical stress from the package. In addition, the sensor IC is equipped with devices for overvoltage and reverse-voltage protection at supply pin.

A LOCK register disables the programming of the EEPROM memory. The register can not be reset by the customer.

As long as the LOCK register is not set, the output characteristic can be adjusted by programming the EEPROM registers. The IC can be programmed via  $V_{DD}$  line. After detecting a command, the sensor reads or writes the memory and answers with a digital signal on the output pin.



**Fig. 2–1:** HAL1820 block diagram

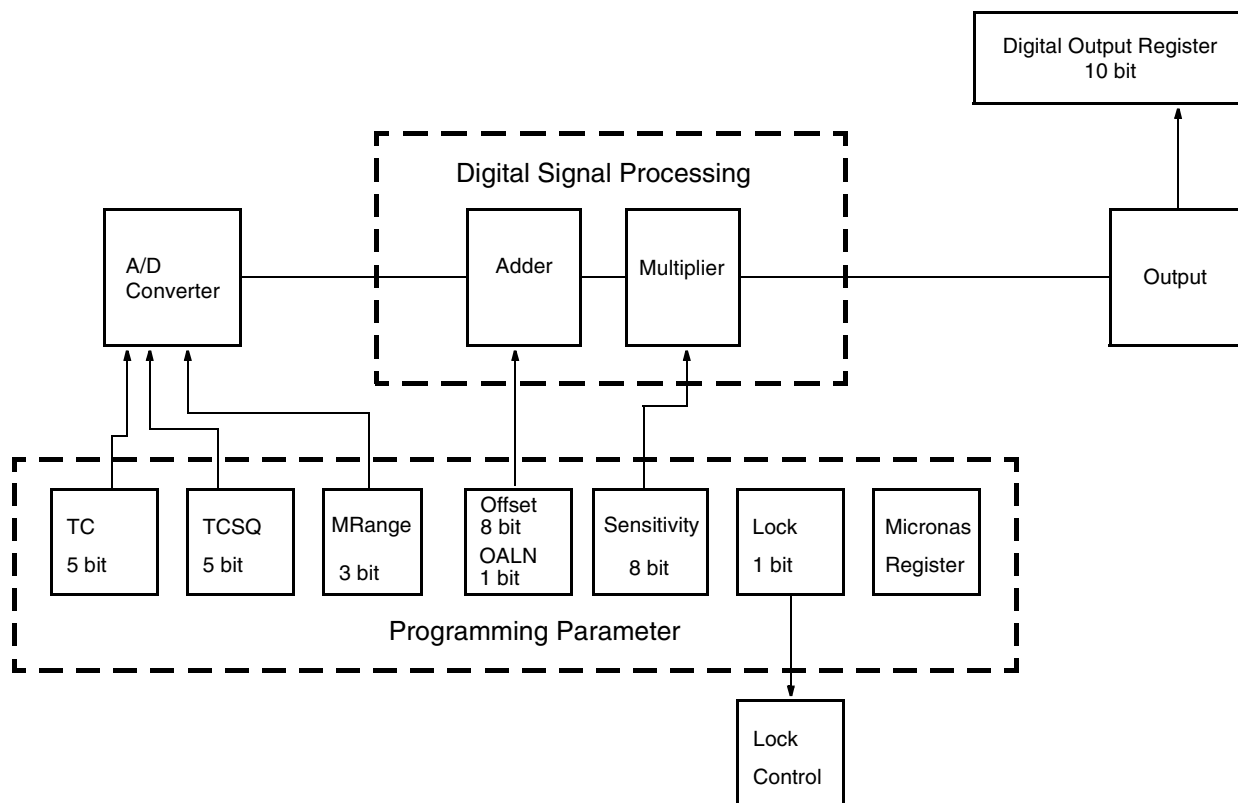


Fig. 2–2: Details of Programming Parameter and Digital Signal Processing

Table 2–1: Cross reference table EEPROM register and sensor parameter

EEPROM-Register	Parameter	Data Bits	Function
customer register I	Sensitivity	8	Magnetic sensitivity
	Offset	8	Magnetic offset
customer register II	LOCKR	1	Customer Lock
	OALN	1	Magnetic Offset Alignment Bit (MSB or LSB aligned)
	TCSQ	5	Quadratic temperature coefficient
	TC	5	Linear temperature coefficient
customer register III	MRANGE	3	Available magnetic ranges
	Micronas Data	16	Micronas production information (read only)
customer register IV	Micronas Data	16	Micronas production information (read only)

**2.2. Digital Signal Processing and EEPROM**

The DSP is the major part of this sensor and performs the signal conditioning. The parameters for the DSP are stored in the EEPROM registers. The details are shown in Fig. 2–2.

The measurement data can be readout from the DIGITAL OUTPUT register.

**DIGITAL OUTPUT**

This 16-bit register delivers the actual digital value of the applied magnetic field after the signal processing. This register can only be read out, and it is the basis for the calibration procedure of the sensor in the system environment. Only 10 bits of the register contain valid data. The DIGITAL OUTPUT range is from –512 to 511.

---

**Note:** During application design, it should be taken into consideration that DIGITAL OUTPUT should not saturate in the operational range of the specific application.

---

The area in the EEPROM accessible for the customer consists of four so called customer registers with a size of 16 bit each.

**2.2.1. Customer Register I**

Customer register I contains the bits for magnetic sensitivity (SENSITIVITY) and magnetic offset (OFFSET).

**SENSITIVITY**

The SENSITIVITY bits define the parameter for the multiplier in the DSP. The Sensitivity is programmable between –2 and 2. The SENSITIVITY bits can be changed in steps of 0.0156. Sensitivity = 1 (@ Offset = 0) corresponds to full-scale of the output signal if the A/D-converter value has reached the full-scale value.

**OFFSET**

The OFFSET bits define the parameter for the adder in the DSP. Offset defines the output signal without external magnetic field (B = 0 mT).

The customer can decide if the Offset is MSB aligned or LSB aligned. The MSB or LSB alignment is enabled by an additional Offset alignment bit (OALN). In case the OALN bit is 1 the Offset is programmable from –100% up to 100% of  $V_{DD}$ . This means that the Offset covers the full-scale range. If the OALN bit is set to

zero, then the Offset covers only 1/8 of the full-scale (–12.5% up to 12.5% of  $V_{DD}$ ). The customer can adjust the Offset symmetrically around 50% of  $V_{DD}$  (37.5%... 62.5% of  $V_{DD}$ ). The OFFSET register can be set with 8-bit resolution.

**2.2.2. Customer Register II**

Customer register II contains the bits for magnetic range (MRANGE), linear and quadratic temperature coefficients (TC and TCSQ), magnetic offset alignment (OALN) and the customer lock bit.

**MRANGE**

The MRANGE bits define the magnetic field range of the A/D converter. The following eight magnetic ranges are available.

**Table 2–2: MRANGE bit definition**

Magnetic Field Range	BIT SETTING
–20 mT...20 mT	0
–40 mT...40 mT	1
–60 mT...60 mT	2
–80 mT...80 mT	3
–100 mT...100 mT	4
–120 mT...120 mT	5
–140 mT...140 mT	6
–160 mT...160 mT	7

**TC and TCSQ**

The temperature dependence of the magnetic sensitivity can be adapted to different magnetic materials in order to compensate for the change of the magnetic strength with temperature. The adaption is done by programming the TC (Linear Temperature Coefficient) and the TCSQ registers (Quadratic Temperature Coefficient). Thereby, the slope and the curvature of the temperature dependence of the magnetic sensitivity can be matched to the magnet and the sensor assembly. As a result, the output signal characteristic can be fixed over the full temperature range. The sensor can compensate for linear temperature coefficients ranging from about –3100 ppm/K up to 2550 ppm/K and quadratic coefficients from about –5 ppm/K<sup>2</sup> to 5 ppm/K<sup>2</sup>. Please refer to Section 4.4. on page 21 for the recommended settings for different linear temperature coefficients.



**Magnetic Offset Alignment Bit (OALN)**

Please refer to Section 2.2.1. on page 8 (OFFSET).

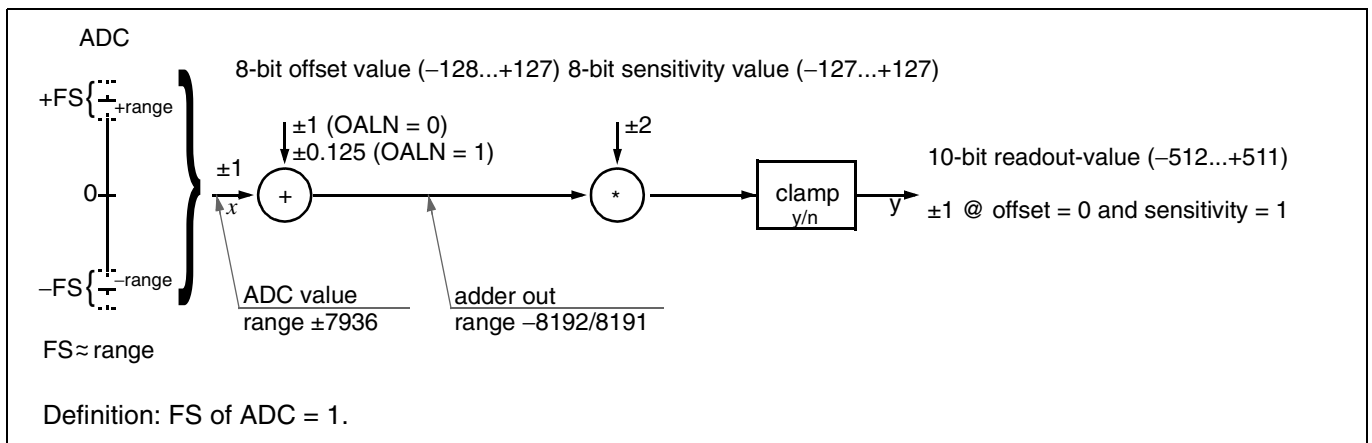
**LOCK**

By setting this 1-bit register, all registers will be locked, and the EEPROM content can not be changed anymore. It is still possible to read all register content by sending a read command to the sensor. The LOCK bit is active after the first power-off and power-on sequence after setting the LOCK bit.

**Warning:** This register cannot be reset!

**2.2.3. Customer register III and IV**

Customer register III and IV contain 16 bits each. These two registers can be read by the customer and Micronas will use this register to store production information like wafer position, wafer number and production lot number.



**Fig. 2-3:** Signal Path HAL1820

**2.2.4. Signal Path**

Fig. 2-3 shows the signal path and signal processing of HAL1820. The measurement output value y is calculated out of the input signal X with the following equation

$$Y = sensitivity \cdot (X - OFFSET)$$

The parameters offset and sensitivity are two's complement encoded 8-bit values (see Section 2.2.1. on page 8).

**2.3. Calibration Procedure**

**2.3.1. General Procedure**

For calibration in the system environment, the application kit from Micronas is recommended. It contains the

hardware for the generation of the serial telegram for programming and the corresponding software for the input of the register values.

For the individual calibration of each sensor in the customer application, a two-point adjustment is recommended. Please use Micronas Software Kit for the calibration.

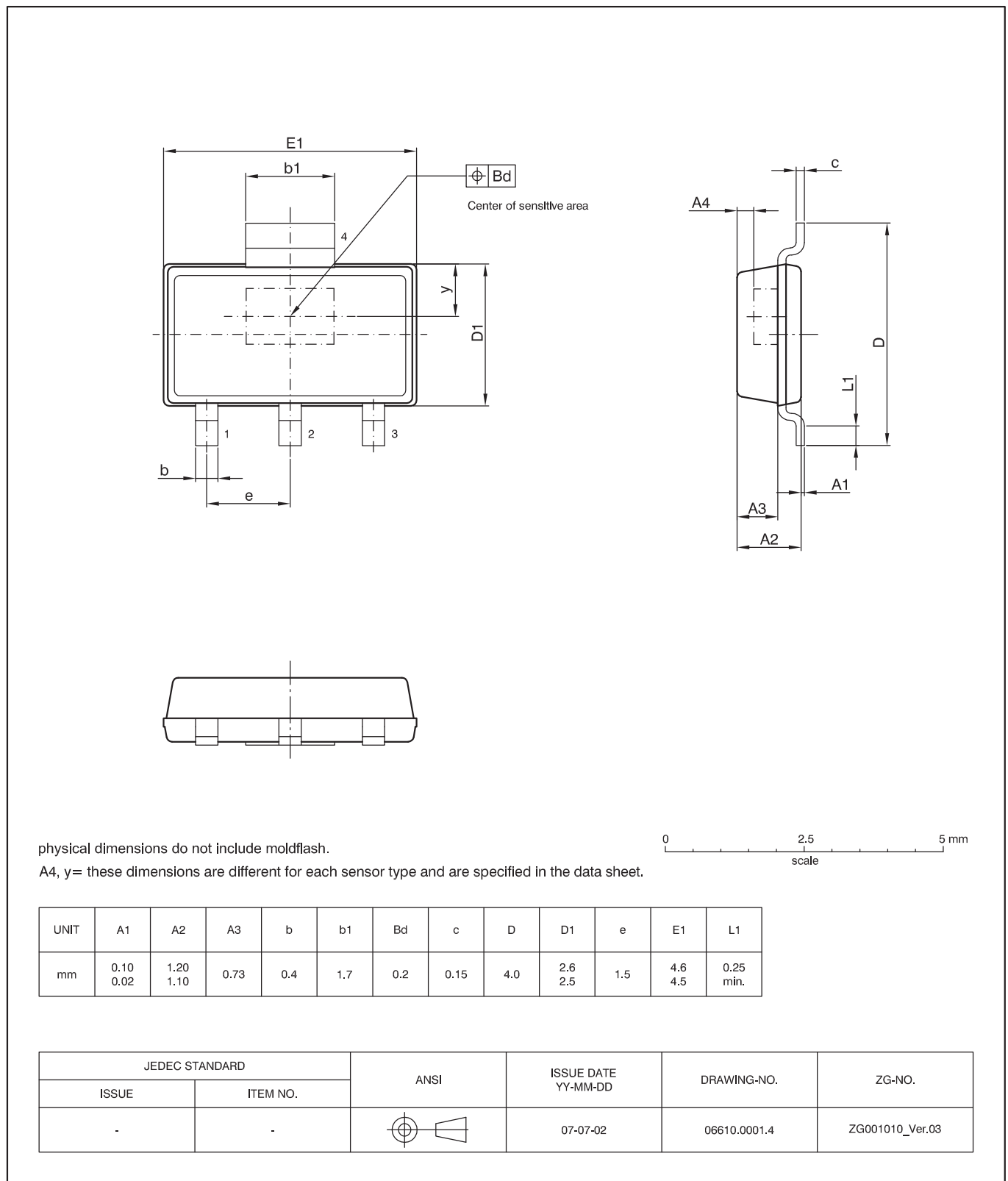
**Locking the Sensor**

The last step is activating the LOCK function by setting the LOCK bit. Please note that the LOCK function becomes effective after power-down and power-up of the Hall IC. The sensors EEPROM is then locked and its content can not be changed anymore. The sensor still answers to read commands on the supply line.

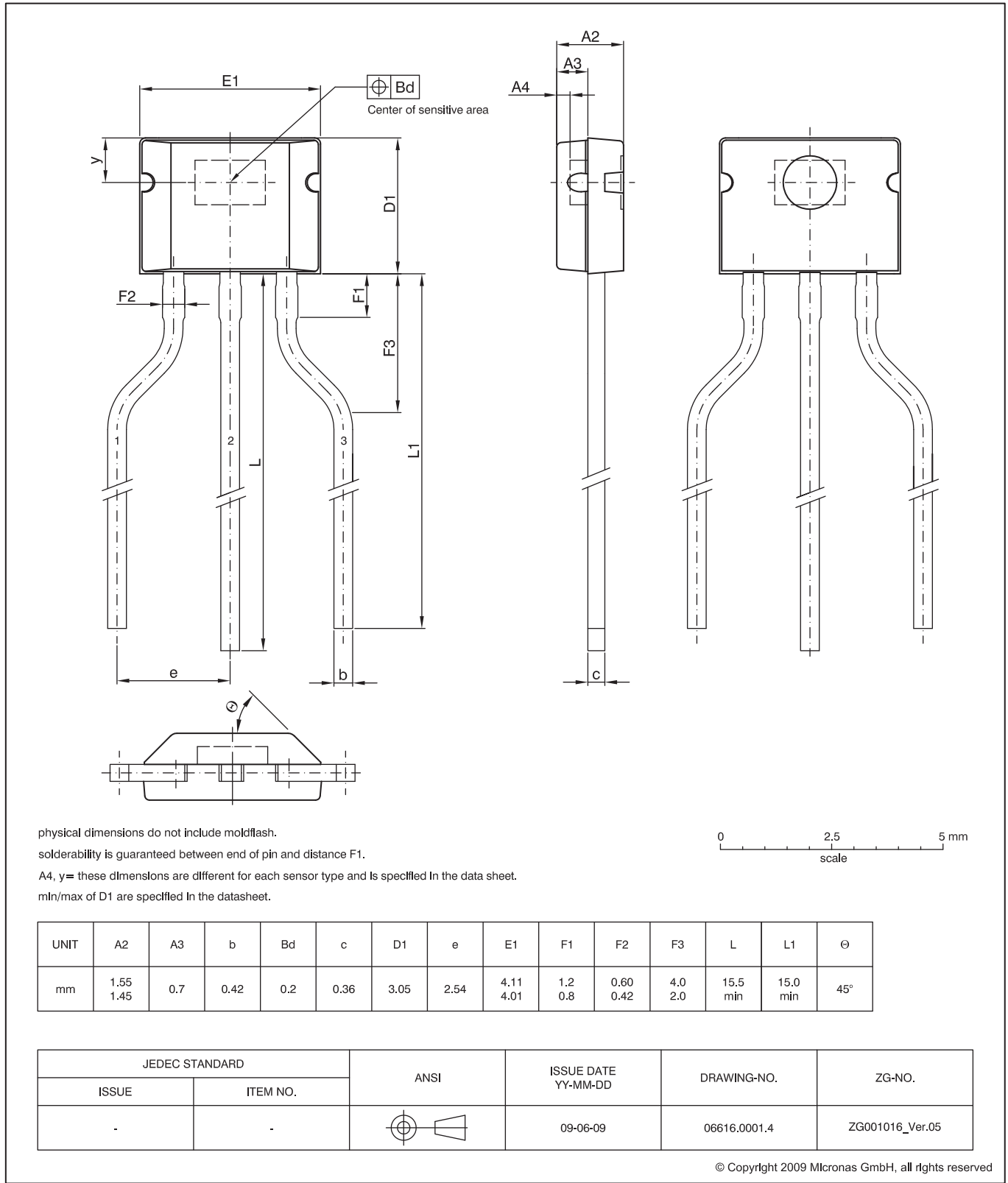
**Warning:** This register cannot be reset!

3. Specifications

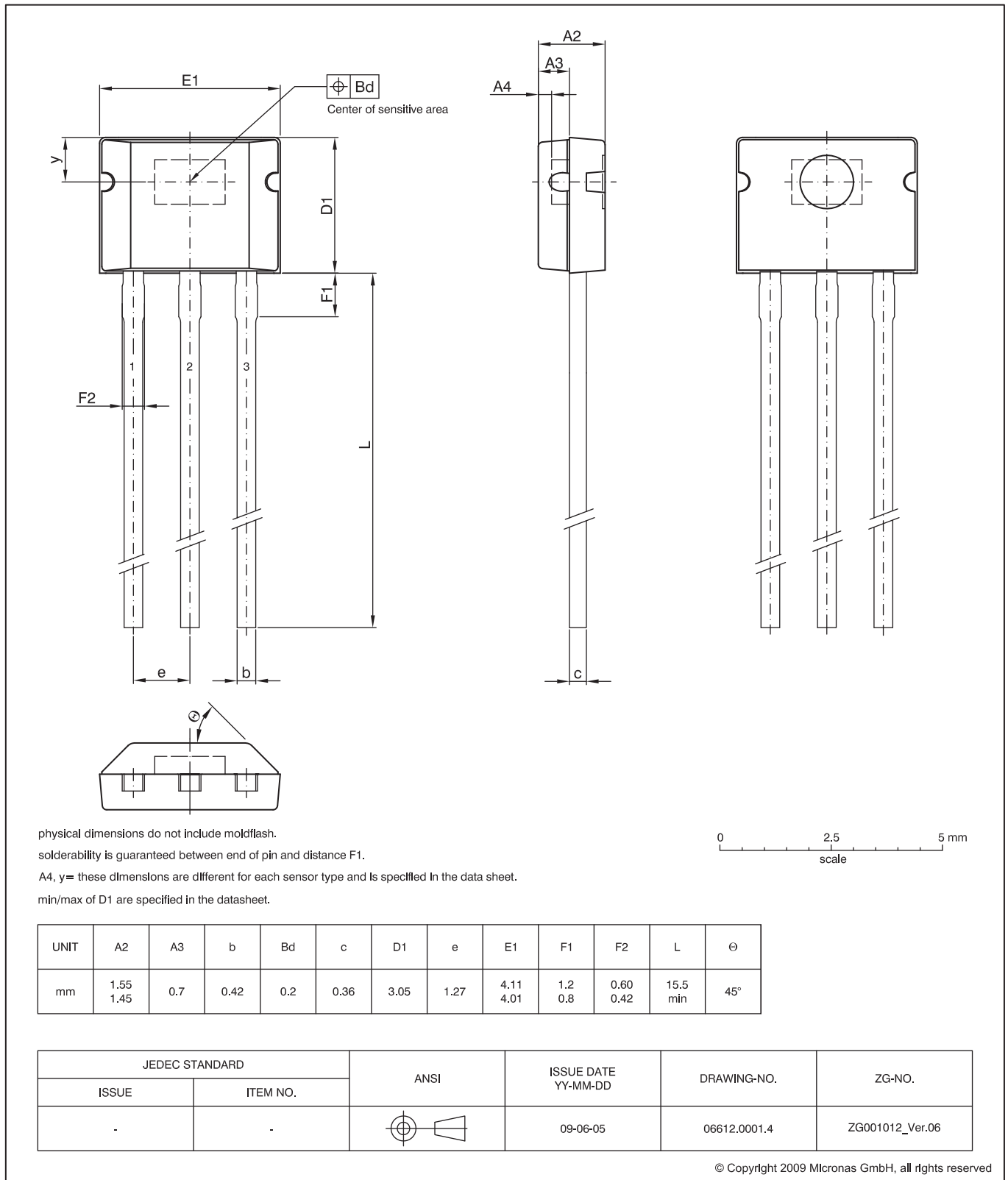
3.1. Outline Dimensions



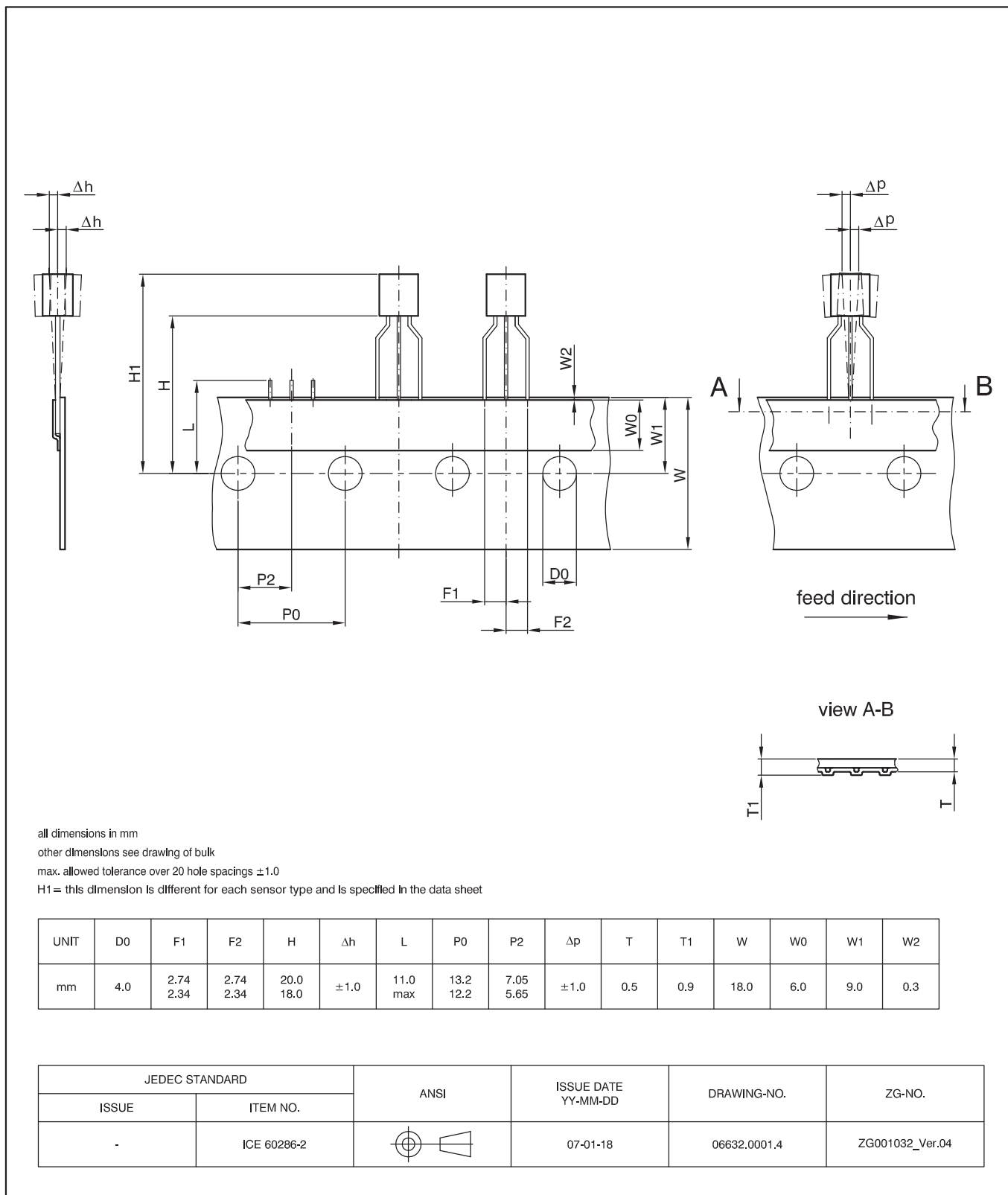
**Fig. 3-1:**  
**SOT89B-1:** Plastic Small Outline Transistor package, 4 leads  
 Ordering code: SF  
 Weight approximately 0.034 g



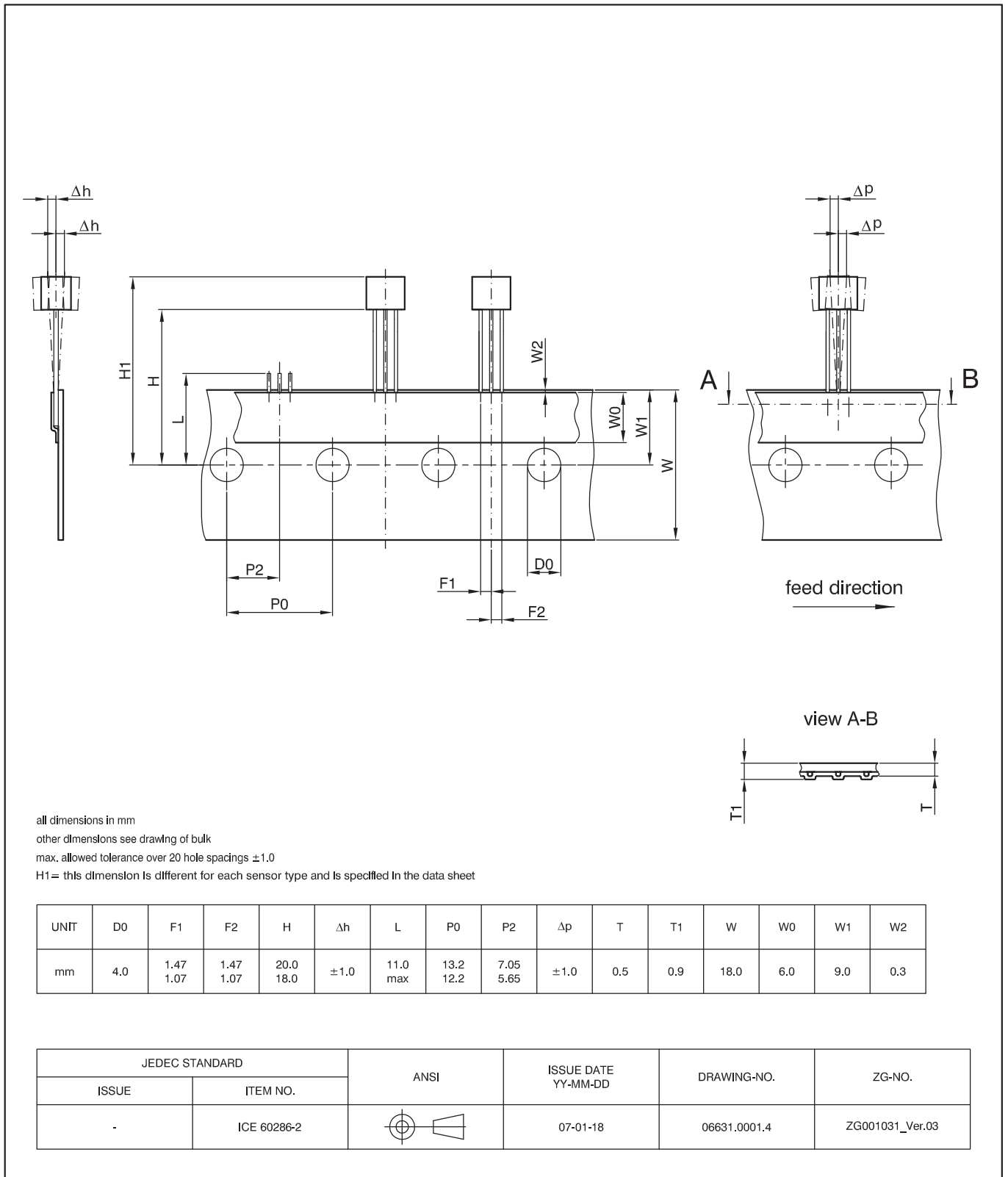
**Fig. 3-2:**  
**TO92UA-1:** Plastic Transistor Standard UA package, 3 leads, spread  
 Weight approximately 0.106 g



**Fig. 3-3:**  
**TO92UA-2:** Plastic Transistor Standard UA package, 3 leads, not spread  
 Weight approximately 0.106 g



**Fig. 3-4:**  
**T092UA/UT-1: Dimensions ammpack inline, spread**



**Fig. 3-5:**  
**T092UA/UT-2: Dimensions ammpack inline, not spread**

### 3.2. Dimensions of Sensitive Area

0.2 mm x 0.1 mm

### 3.3. Package Dimensions

	TO92UA-1/-2	SOT89B-1
y	1.0 mm nominal	0.95 mm nominal
A4	0.4 mm nominal	0.4 mm nominal
D1	3.05 ± 0.05 mm	2.55 ± 0.05 mm

### 3.4. Absolute Maximum Ratings

Stresses beyond those listed in the “Absolute Maximum Ratings” may cause permanent damage to the device. This is a stress rating only. Functional operation of the device at these conditions is not implied. Exposure to absolute maximum rating conditions for extended periods will affect device reliability.

This device contains circuitry to protect the inputs and outputs against damage due to high static voltages or electric fields; however, it is advised that normal precautions be taken to avoid application of any voltage higher than absolute maximum-rated voltages to this circuit.

All voltages listed are referenced to ground (GND).

Symbol	Parameter	Pin No.	Min.	Max.	Unit
V <sub>DD</sub>	Supply Voltage	1	-8.5	8.5	V
			-14.4 <sup>1) 2)</sup>	14.4 <sup>1) 2)</sup>	V
V <sub>OUT</sub>	Output Voltage	3	-0.5 <sup>5)</sup> -0.5 <sup>5)</sup>	8.5 <sup>3)</sup> 14.4 <sup>3) 2)</sup>	V
I <sub>OUT</sub>	Continuous Output Current	3	-5	5	mA
t <sub>Sh</sub>	Output Short Circuit Duration	3	-	10	min
T <sub>J</sub>	Junction Temperature Range		-40	170 <sup>4)</sup>	°C
			-40	150	°C

<sup>1)</sup> as long as T<sub>Jmax</sub> is not exceeded  
<sup>2)</sup> t < 10 min (V<sub>DDmin</sub> = -15 V for t < 1 min, V<sub>DDmax</sub> = 16 V for t < 1 min)  
<sup>3)</sup> as long as T<sub>Jmax</sub> is not exceeded, output is not protected to external 14 V-line (or to -14 V)  
<sup>4)</sup> t < 1000h  
<sup>5)</sup> internal protection resistor = 50 Ω

### 3.4.1. Storage and Shelf Life

The permissible storage time (shelf life) of the sensors is unlimited, provided the sensors are stored at a maximum of 30 °C and a maximum of 85% relative humidity. At these conditions, no Dry Pack is required.

Solderability is guaranteed for one year from the date code on the package.

### 3.5. Recommended Operating Conditions

Functional operation of the device beyond those indicated in the “Recommended Operating Conditions/Characteristics” is not implied and may result in unpredictable behavior of the device and may reduce reliability and lifetime.

All voltages listed are referenced to ground (GND).

Symbol	Parameter	Pin No.	Min.	Typ.	Max.	Unit
V <sub>DD</sub>	Supply Voltage	1	4.5	5	5.5	V
I <sub>OUT</sub>	Continuous Output Current	3	-1	-	1	mA
R <sub>L</sub>	Load Resistor	3	5.5	10	-	kΩ
C <sub>L</sub>	Load Capacitance	3	0.33	10	47	nF
N <sub>PRG</sub>	Number of EEPROM Programming Cycles	-	-	-	100 <sup>1)</sup>	-
1) @ 0 °C <T <sub>amb</sub> <55 °C						



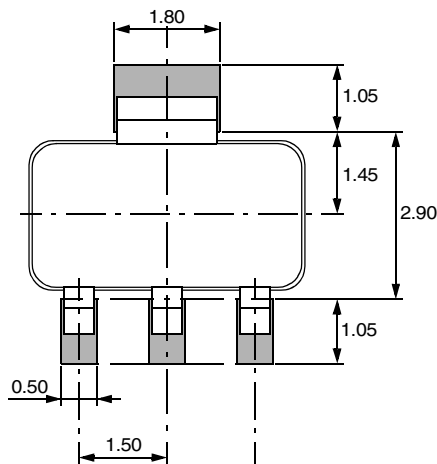
### 3.6. Characteristics

at  $T_J = -40\text{ °C}$  to  $+170\text{ °C}$ ,  $V_{DD} = 4.5\text{ V}$  to  $5.5\text{ V}$ ,  $GND = 0\text{ V}$ , after programming the sensor and locking the EEPROM,

at Recommended Operation Conditions if not otherwise specified in the column "Conditions".

Typical Characteristics for  $T_J = 25\text{ °C}$  and  $V_{DD} = 5\text{ V}$ .

Symbol	Parameter	Pin No.	Min.	Typ.	Max.	Unit	Conditions
$I_{DD}$	Supply Current over Temperature Range	1	–	7	10	mA	
	Resolution	3	–	–	10	Bit	
INL	Non-Linearity of Output Voltage over Temperature	3	–1.5	0	1.5	%	% of supply voltage <sup>1)</sup>
$E_R$	Ratiometric Error of Output over Temperature (Error in $V_{OUT} / V_{DD}$ )	3	–1.5	0	1.5	%	
$\Delta V_{OQ}$	Offset Drift over temperature	3	–30	0	30	mV	Drift related to 25°C value
$V_{OUTH}$	Output High Voltage	3	–	4.9	–	V	$V_{DD} = 5\text{ V}$ , $I_{OUT} = +/- 1\text{ mA}$ , $B = +X^2$ )
$V_{OUTL}$	Output Low Voltage	3	–	0.1	–	V	$V_{DD} = 5\text{ V}$ , $I_{OUT} = +/- 1\text{ mA}$ , $B = -X^2$ )
$t_{r(O)}$	Response Time of Output	3	–	1	1.5	ms	$C_L = 10\text{ nF}$ , time from 10% to 90% of final output voltage for a step like signal $B_{step}$ from 0 mT to $B_{max}$
$t_{POD}$	Power-Up Time (Time to reach stabilized Output Voltage)	–	–	1	1.5	ms	$C_L = 10\text{ nF}$ , 90% of $V_{OUT}$
BW	Small Signal Bandwidth (–3 dB)	3	–	1	–	kHz	$B_{AC} < 10\text{ mT}$
$V_{OUTn}$	Output RMS Noise	3	–	–	12.5	mV	tbd.
$R_{OUT}$	Output Resistance over Recommended Operating Range	3	–	60	–	$\Omega$	$V_{OUTLmax} \leq V_{OUT} \leq V_{OUTHmin}$
TO92UA Package							
$R_{thja}$	Thermal Resistance junction to air	–	–	–	225	K/W	Measured with a 1s0p board
$R_{thjc}$	junction to case	–	–	–	63	K/W	
SOT89B Package							
$R_{thja}$	Thermal Resistance junction to air	–	–	–	212	K/W	Measured with a 1s0p board 30 mm x 10 mm x 1.5 mm, pad size (see Fig. 3–6)
$R_{thjc}$	junction to case	–	–	–	73	K/W	
<sup>1)</sup> if more than 50% of the selected magnetic field range are used <sup>2)</sup> The parameter X represents the maximum magnetic field saturating the output driver. It does not describe the full linear range <sup>3)</sup> peak-to-peak value exceeded: 5%							



**Fig. 3–6:** Recommended footprint SOT89B-1, Dimensions in mm.  
 All dimensions are for reference only. The pad size may vary depending on the requirements of the soldering process.

**3.7. Magnetic Characteristics**

at Recommended Operating Conditions if not otherwise specified in the column 'Test Conditions',  
 $T_J = -40\text{ °C}$  to  $+170\text{ °C}$ ,  $V_{DD} = 4.5\text{ V}$  to  $5.5\text{ V}$ , after programming the sensor and locking the EEPROM.  
 Typical Characteristics for  $T_A = 25\text{ °C}$  and  $V_{DD} = 5\text{ V}$ .

Symbol	Parameter	Pin No.	Values			Unit	Test Conditions
			Min.	Typ.	Max.		
RANGE-ABS	Absolute Magnetic Range of A/D converter	–	85	100	115	%	% of nominal RANGE
RANGE	Magnetic field range	–	$\pm 20$	$\pm 80$	$\pm 160$	mT	
ES	Sensitivity Error over Temperature Range	3	–6	0	6	%	variation for certain combinations of TC and TCSQ (see Section 3.7.1.)
$\Delta$ Sens	Sensitivity Drift (beside temperature drift)		–	+/- 2	–	%	$T_J = 25\text{ °C}$ ; after temperature cycling and over life time
$B_{\text{OFFSET}}$	Magnetic offset	3	–2	0	2	mT	$B = 0\text{ mT}$ , $T_A = 25\text{ °C}$
$\Delta B_{\text{OFFSET}}$	Magnetic offset drift over Temperature Range $B_{\text{OFFSET}}(T) - B_{\text{OFFSET}}(25\text{ °C})$	3	–25	0	25	$\mu\text{T/K}$	$B = 0\text{ mT}$
$B_{\text{Hysteresis}}$	Magnetic Hysteresis	3	–20	0	20	$\mu\text{T}$	Range = 40 mT

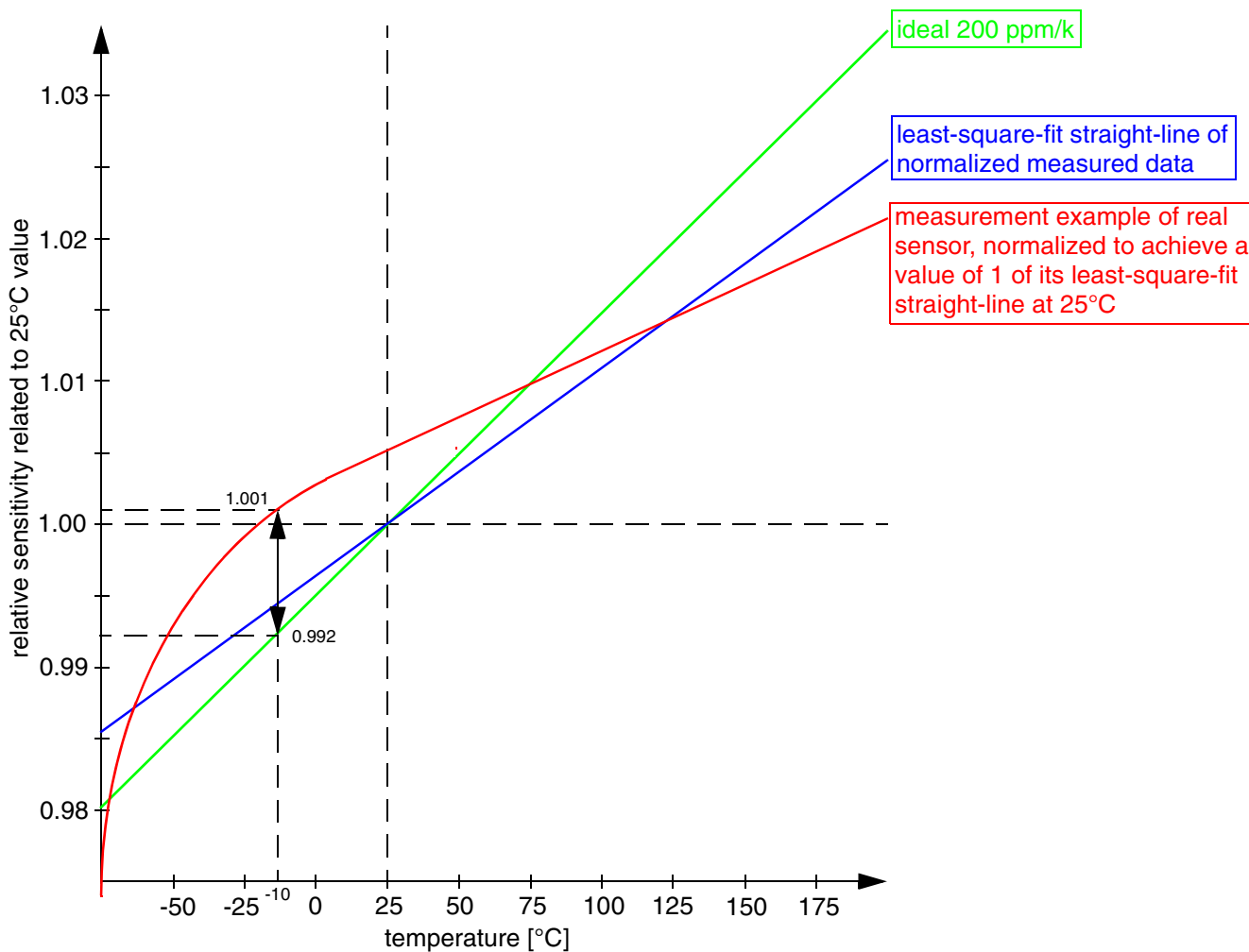


Fig. 3-7: Definition of Sensitivity Error ES.

### 3.7.1. Definition of Sensitivity Error ES

ES is the maximum of the absolute value of 1 minus the quotient of the normalized measured value<sup>1)</sup> over the normalized ideal linear<sup>2)</sup> value:

$$ES = \max \left( \text{abs} \left( \frac{\text{meas}}{\text{ideal}} - 1 \right) \right) \Big|_{[T_{\min}, T_{\max}]}$$

In the example shown in Fig. 3–7 the maximum error occurs at –10 °C:

$$ES = \frac{1,001}{0,992} - 1 = 0.9\%$$

---

1) normalized to achieve a least-square-fit straight-line that has a value of 1 at 25 °C

2) normalized to achieve a value of 1 at 25 °C

**4. Application Notes**

**4.1. Ambient Temperature**

Due to the internal power dissipation, the temperature on the silicon chip (junction temperature  $T_J$ ) is higher than the temperature outside the package (ambient temperature  $T_A$ ).

$$T_J = T_A + \Delta T$$

At static conditions and continuous operation, the following equation applies:

$$\Delta T = I_{DD} * V_{DD} * R_{thjX}$$

The X represents junction to air or to case.

For worst case calculation, use the max. parameters for  $I_{DD}$  and  $R_{thjX}$ , and the max. value for  $V_{DD}$  from the application.

For following example shows the result for junction to air conditions.  $V_{DD} = 5.5\text{ V}$ ,  $R_{thja} = 225\text{ K/W}$  and  $I_{DD} = 10\text{ mA}$  the temperature difference  $\Delta T = 12.4\text{ K}$ .

The junction temperature  $T_J$  is specified. The maximum ambient temperature  $T_{Amax}$  can be calculated as:

$$T_{Amax} = T_{Jmax} - \Delta T$$

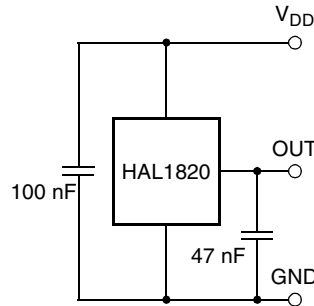
**4.2. EMC and ESD**

The HAL1820 is designed for a stabilized 5 V supply. Interferences and disturbances conducted along the 12 V onboard system (product standard ISO 7637 part 1) are not relevant for these applications.

For applications with disturbances by capacitive or inductive coupling on the supply line or radiated disturbances, the application circuit shown in Fig. 4–1 is recommended. Applications with this arrangement should pass the EMC tests according to the product standards ISO 7637 part 3 (Electrical transient transmission by capacitive or inductive coupling) and part 4 (Radiated disturbances).

**4.3. Application Circuit**

For EMC protection, it is recommended to connect one ceramic 47 nF capacitor between ground and output voltage pin as well as 100 nF between supply and ground.



**Fig. 4–1:** Recommended application circuit

**4.4. Temperature Compensation**

The relationship between the temperature coefficient of the magnet and the corresponding TC and TCSQ codes for linear compensation is given in the following table. In addition to the linear change of the magnetic field with temperature, the curvature can be adjusted as well. For this purpose, other TC and TCSQ combinations are required which are not shown in the table. Please contact Micronas for more detailed information on this higher order temperature compensation.

The table will be updated after final device characterization.

Temperature Coefficient of Magnet (ppm/K)	TC	TCSQ
....	....	....
0	14	0
....	....	....

**Note:** Micronas recommends to use the TC-Calc software to find optimal settings for temperature coefficients. Please contact Micronas for more detailed information.

**5. Programming of the Sensor**

HAL1820 features two different customer modes. In **Application Mode** the sensor provides a ratiometric analog output voltage. In **Programming Mode** it is possible to change the register settings of the sensor.

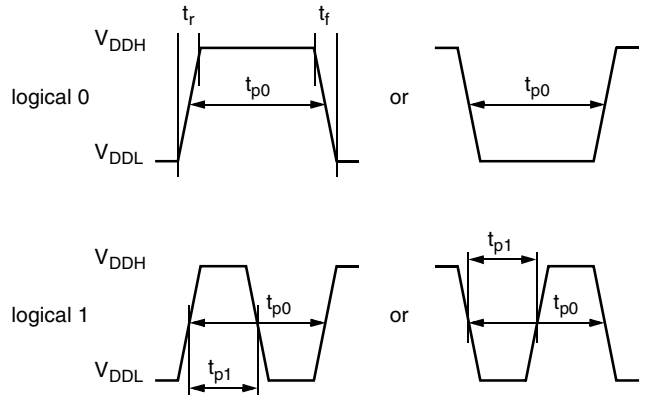
After power-up the sensor is always operating in the **Programming Mode** (default after delivery from Micronas and as long as the sensor is not locked). It is switched to the **Application Mode** by setting a certain volatile bit in the memory of the sensor or by locking the sensor.

**5.1. Programming Interface**

In Programming Mode the sensor is addressed by modulating a serial telegram on the sensors supply voltage. The sensor answers with a modulation of the output voltage.

A logical “0” is coded as no level change within the bit time. A logical “1” is coded as a level change of typically 50% of the bit time. After each bit, a level change occurs (see Fig. 5–1).

The serial telegram is used to transmit the EEPROM content, error codes and digital values of the magnetic field from and to the sensor.



**Fig. 5–1:** Definition of logical 0 and 1 bit

A description of the communication protocol and the programming of the sensor is available in a separate document (Application Note Programming HAL1820).

**Table 5–1:** Telegram parameters (All voltages are referenced to GND.)

Symbol	Parameter	Pin No.	Limit Values			Unit	Test Conditions
			Min.	Typ.	Max.		
$V_{DDL}$	Supply Voltage for Low Level during Programming through Sensor $V_{DD}$ Pin	1	5.8	6.3	6.6	V	
$V_{DDH}$	Supply Voltage for High Level during Programming through Sensor $V_{DD}$ Pin	1	6.8	7.3	7.8	V	
$V_{DDProgram}$	$V_{DD}$ Voltage for EEPROM programming (after PROG and ERASE)	1	5	5.5	6.5	V	
$t_{p0}$	Bit time if command send to the sensor	1	–	1024	–	$\mu$ s	
$t_{pOUT}$	Bit time for sensor answer	3	–	1024	–	$\mu$ s	
$t_{PROG}$	Programming Time for EEPROM	–	–	2	–	ms	

## 5.2. Programming Environment and Tools

For the programming of HAL1820 during product development and also for production purposes a programming tool including hardware and software is available on request. It is recommended to use the Micronas tool kit in order to ease the product development. The details of programming sequences are also available on request.

## 5.3. Programming Information

For production and qualification tests, it is mandatory to set the LOCK bit after final adjustment and programming of HAL1820. The LOCK function is active after the next power-up of the sensor.

The success of the LOCK process should be checked by reading the status of the LOCK bit after locking and/or by an analog check of the sensors output signal.

Electrostatic Discharges (ESD) may disturb the programming pulses. Please take precautions against ESD.

**6. Data Sheet History**

1. Advance Information: "HAL1820, Programmable Linear Hall Effect Sensor", June 30, 2009, 000149\_001EN. First release of the advance information.



**SUNSTAR商斯达实业集团**是集研发、生产、工程、销售、代理经销、技术咨询、信息服务等为一体的高科技企业，是专业高科技电子产品生产厂家，是具有10多年历史的专业电子元器件供应商，是中国最早和最大的仓储式连锁规模经营大型综合电子零部件代理分销商之一，是一家专业代理和分销世界各大品牌IC芯片和电子元器件的连锁经营综合性国际公司。在香港、北京、深圳、上海、西安、成都等全国主要电子市场设有直属分公司和产品展示展销窗口门市部专卖店及代理分销商，已在全国范围内建成强大统一的供货和代理分销网络。我们专业代理经销、开发生产电子元器件、集成电路、传感器、微波光电元器件、工控机/DOC/DOM电子盘、专用电路、单片机开发、MCU/DSP/ARM/FPGA软件硬件、二极管、三极管、模块等，是您可靠的一站式现货配套供应商、方案提供商、部件功能模块开发配套商。专业以现代信息产业（计算机、通讯及传感器）三大支柱之一的传感器为主营业务，专业经营各类传感器的代理、销售生产、网络信息、科技图书资料及配套产品设计、工程开发。我们的专业网站——**中国传感器科技信息网（全球传感器数据库）www.SENSOR-IC.COM** 服务于全球高科技生产商及贸易商，为企业科技产品开发提供技术交流平台。欢迎各厂商互通有无、交换信息、交换链接、发布寻求代理信息。欢迎国外高科技传感器、变送器、执行器、自动控制产品厂商介绍产品到**中国**，共同开拓市场。本网站是关于各种传感器-变送器-仪器仪表及工业自动化大型专业网站，深入到工业控制、系统工程计 测量、自动化、安防报警、消费电子等众多领域，把最新的传感器-变送器-仪器仪表买卖信息，最新技术供求，最新采购商，行业动态，发展方向，最新的技术应用和市场资讯及时的传递给广大科技开发、科学研究、产品设计人员。本网站已成功为石油、化工、电力、医药、生物、航空、航天、国防、能源、冶金、电子、工业、农业、交通、汽车、矿山、煤炭、纺织、信息、通信、IT、安防、环保、印刷、科研、气象、仪器仪表等领域从事科学研究、产品设计、开发、生产制造的科技人员、管理人员、和采购人员提供满意服务。**我公司专业生产、代理、经销、销售各种传感器、变送器、敏感元器件、开关、执行器、仪器仪表、自动化控制系统：专门从事设计、生产、销售各种传感器、变送器、各种测控仪表、热工仪表、现场控制器、计算机控制系统、数据采集系统、各类环境监控系统、专用控制系统应用软件以及嵌入式系统开发及应用等工作。如热敏电阻、压敏电阻、温度传感器、温度变送器、湿度传感器、湿度变送器、气体传感器、气体变送器、压力传感器、压力变送、称重传感器、物（液）位传感器、物（液）位变送器、流量传感器、流量变送器、电流（压）传感器、溶氧传感器、霍尔传感器、图像传感器、超声波传感器、位移传感器、速度传感器、加速度传感器、扭距传感器、红外传感器、紫外传感器、火焰传感器、激光传感器、振动传感器、轴角传感器、光电传感器、接近传感器、干簧管传感器、继电器传感器、微型电泵、磁敏（阻）传感器、压力开关、接近开关、光电开关、色标传感器、光纤传感器、齿轮测速传感器、时间继电器、计数器、计米器、温控仪、固态继电器、调压模块、电磁铁、电压表、电流表等特殊传感器。同时承接传感器应用电路、产品设计和自动化工程项目。**

欢迎索取免费详细资料、设计指南和光盘；产品凡多，未能尽录，欢迎来电查询。

更多产品请看本公司产品专用销售网站：

商斯达中国传感器科技信息网：<http://www.sensor-ic.com/>

商斯达工控安防网：<http://www.pc-ps.net/>

商斯达电子元器件网：<http://www.sunstare.com/>

商斯达微波光电产品网：[HTTP://www.rfoe.net/](http://www.rfoe.net/)

商斯达消费电子产品网：<http://www.icasic.com/>

商斯达军工产品网：<http://www.junpinic.com/>

商斯达实业科技产品网：<http://www.sunstars.cn/>传感器销售热线：

电话：0755-83607652 83376489 83376549 83370250 83370251 82500323

传真：0755-83376182 (0) 13902971329 MSN: [SUNS888@hotmail.com](mailto:SUNS888@hotmail.com)

邮编：518033 E-mail: [szss20@163.com](mailto:szss20@163.com) QQ: 195847376

技术支持：0755-83394033 13501568376