

Data Sheet

HAL[®] 525, HAL 526

Hall-Effect Switches

Copyright, Warranty, and Limitation of Liability

The information and data contained in this document are believed to be accurate and reliable. The software and proprietary information contained therein may be protected by copyright, patent, trademark and/or other intellectual property rights of Micronas. All rights not expressly granted remain reserved by Micronas.

Micronas assumes no liability for errors and gives no warranty representation or guarantee regarding the suitability of its products for any particular purpose due to these specifications.

By this publication, Micronas does not assume responsibility for patent infringements or other rights of third parties which may result from its use. Commercial conditions, product availability and delivery are exclusively subject to the respective order confirmation.

Any information and data which may be provided in the document can and do vary in different applications, and actual performance may vary over time.

All operating parameters must be validated for each customer application by customers' technical experts. Any new issue of this document invalidates previous issues. Micronas reserves the right to review this document and to make changes to the document's content at any time without obligation to notify any person or entity of such revision or changes. For further advice please contact us directly.

Do not use our products in life-supporting systems, aviation and aerospace applications! Unless explicitly agreed to otherwise in writing between the parties, Micronas' products are not designed, intended or authorized for use as components in systems intended for surgical implants into the body, or other applications intended to support or sustain life, or for any other application in which the failure of the product could create a situation where personal injury or death could occur.

No part of this publication may be reproduced, photocopied, stored on a retrieval system or transmitted without the express written consent of Micronas.

Micronas Trademarks

– HAL

Micronas Patents#

Choppered Offset Compensation protected by Micronas patents no. US5260614, US5406202, EP0525235 and EP0548391.

Third-Party Trademarks

All other brand and product names or company names may be trademarks of their respective companies.

Contents

Page	Section	Title
4	1.	Introduction
4	1.1.	Features
4	1.2.	Switch Type
4	1.3.	Marking Code
4	1.4.	Operating Junction Temperature Range (T _J)
5	1.5.	Hall Sensor Package Codes
5	1.6.	Solderability and Welding
5	1.7.	Pin Connections
6	2.	Functional Description
7	3.	Specifications
7	3.1.	Outline Dimensions
12	3.2.	Dimensions of Sensitive Area
12	3.3.	Positions of Sensitive Areas
12	3.4.	Absolute Maximum Ratings
12	3.4.1.	Storage and Shelf Life
13	3.5.	Recommended Operating Conditions
14	3.6.	Characteristics
15	3.7.	Magnetic Characteristics Overview
19	4.	Type Description
19	4.1.	HAL 525 [†]
21	4.2.	HAL 526
23	5.	Application Notes
23	5.1.	Ambient Temperature
23	5.2.	Extended Operating Conditions
23	5.3.	Start-Up Behavior
23	5.4.	EMC and ESD
24	6.	Data Sheet History

Hall-Effect Switches

Release Note: Revision bars indicate significant changes to the previous edition.

1. Introduction

The Hall switches HAL 525[†] and HAL 526 are produced in CMOS technology. These sensors include a temperature-compensated Hall plate with active offset compensation, a comparator, and an open-drain output transistor. The comparator compares the actual magnetic flux through the Hall plate (Hall voltage) with the fixed reference values (switching points). Accordingly, the output transistor is switched on or off.

The active offset compensation leads to magnetic parameters which are robust against mechanical stress effects. In addition, the magnetic characteristics are constant in the full supply voltage and temperature range.

This sensor is designed for industrial and automotive applications and operates with supply voltages from 3.8 V to 24 V in the ambient temperature range from -40 °C up to 125 °C.

The HAL 525[†] and HAL 526 are available in the SMD package SOT89B-1 and in the leaded versions TO92UA-1 and TO92UA-2.

1.1. Features

- operates from 3.8 V to 24 V supply voltage
- operates with static magnetic fields and dynamic magnetic fields up to 10 kHz
- overvoltage protection at all pins
- reverse-voltage protection at V_{DD}-pin
- magnetic characteristics are robust against mechanical stress effects
- short-circuit protected open-drain output by thermal shut down
- constant switching points over a wide supply voltage range
- the decrease of magnetic flux density caused by rising temperature in the sensor system is compensated by a built-in negative temperature coefficient of the magnetic characteristics
- ideal sensor for window lifter, ignition timing, and revolution counting in extreme automotive and industrial environments
- EMC corresponding to ISO 7637

1.2. Switch Type

Type	Switching Behavior	Typical Temperature Coefficient	see Page
525 [†]	latching	-2000 ppm/K	19
526	latching	-2000 ppm/K	21

Note: [†]: HAL 525 is not available for new designs. Please use HAL 526 instead.

Latching Sensor:

Latching sensors require a magnetic north and south pole for correct functioning. The output turns low with the magnetic south pole on the branded side of the package and turns high with the magnetic north pole on the branded side. The output does not change if the magnetic field is removed. For changing the output state, the opposite magnetic field polarity must be applied.

1.3. Marking Code

All Hall sensors have a marking on the package surface (branded side). This marking includes the name of the sensor and the temperature range.

Type	Temperature Range	
	K	E
HAL 525 [†]	525K	-
HAL 526	526K	526E

1.4. Operating Junction Temperature Range (T_J)

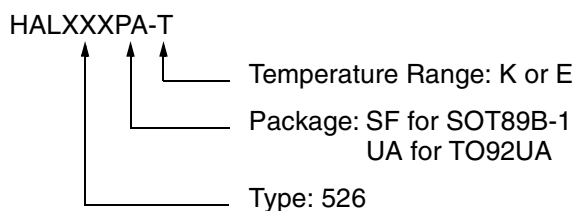
The Hall sensors from Micronas are specified to the chip temperature (junction temperature T_J).

K: T_J = -40 °C to +140 °C

E: T_J = -40 °C to +100 °C

The relationship between ambient temperature (T_A) and junction temperature is explained in Section 5.1. on page 23.

1.5. Hall Sensor Package Codes



Example: **HAL526UA-E**

- Type: 526
- Package: TO92UA
- Temperature Range: $T_J = -40\text{ °C to }+100\text{ °C}$

Hall sensors are available in a wide variety of packaging versions and quantities. For more detailed information, please refer to the brochure: “Hall Sensors: Ordering Codes, Packaging, Handling”.

1.6. Solderability and Welding

During soldering reflow processing and manual reworking, a component body temperature of 260 C should not be exceeded.

Welding

Device terminals should be compatible with laser and resistance welding. Please note that the success of the welding process is subject to different welding parameters which will vary according to the welding technique used. A very close control of the welding parameters is absolutely necessary in order to reach satisfying results. Micronas, therefore, does not give any implied or express warranty as to the ability to weld the component.

1.7. Pin Connections

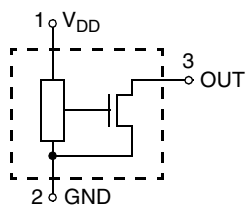


Fig. 1–1: Pin configuration

2. Functional Description

The Hall effect sensor is a monolithic integrated circuit that switches in response to magnetic fields. If a magnetic field with flux lines perpendicular to the sensitive area is applied to the sensor, the biased Hall plate forces a Hall voltage proportional to this field. The Hall voltage is compared with the actual threshold level in the comparator. The temperature-dependent bias increases the supply voltage of the Hall plates and adjusts the switching points to the decreasing induction of magnets at higher temperatures. If the magnetic field exceeds the threshold levels, the open drain output switches to the appropriate state. The built-in hysteresis eliminates oscillation and provides switching behavior of output without bouncing.

Magnetic offset caused by mechanical stress is compensated for by using the “switching offset compensation technique”. Therefore, an internal oscillator provides a two phase clock. The Hall voltage is sampled at the end of the first phase. At the end of the second phase, both sampled and actual Hall voltages are averaged and compared with the actual switching point. Subsequently, the open drain output switches to the appropriate state. The time from crossing the magnetic switching level to switching of output can vary between zero and $1/f_{osc}$.

Shunt protection devices clamp voltage peaks at the Output-pin and V_{DD} -pin together with external series resistors. Reverse current is limited at the V_{DD} -pin by an internal series resistor up to -15 V. No external reverse protection diode is needed at the V_{DD} -pin for reverse voltages ranging from 0 V to -15 V.

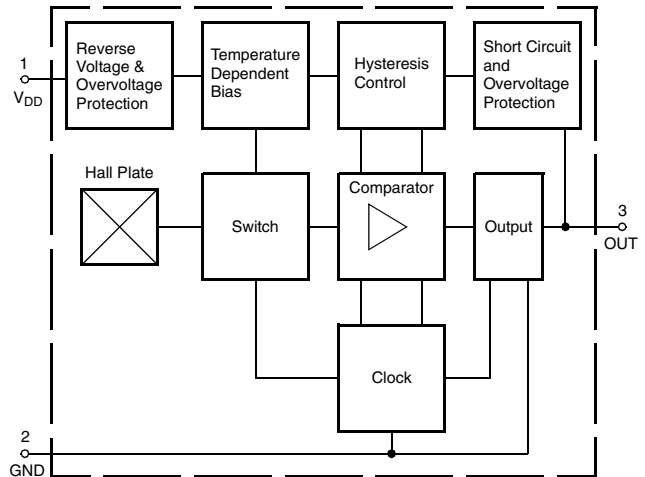


Fig. 2-1: HAL 525 and HAL 526 block diagram

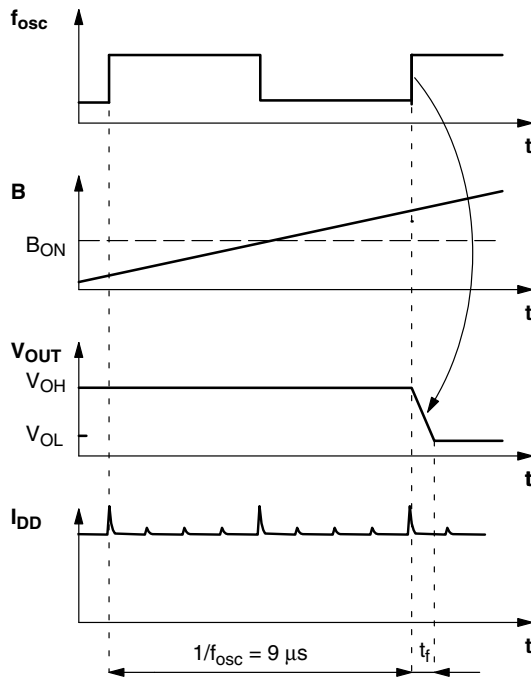


Fig. 2-2: Timing diagram of HAL 526

3. Specifications

3.1. Outline Dimensions

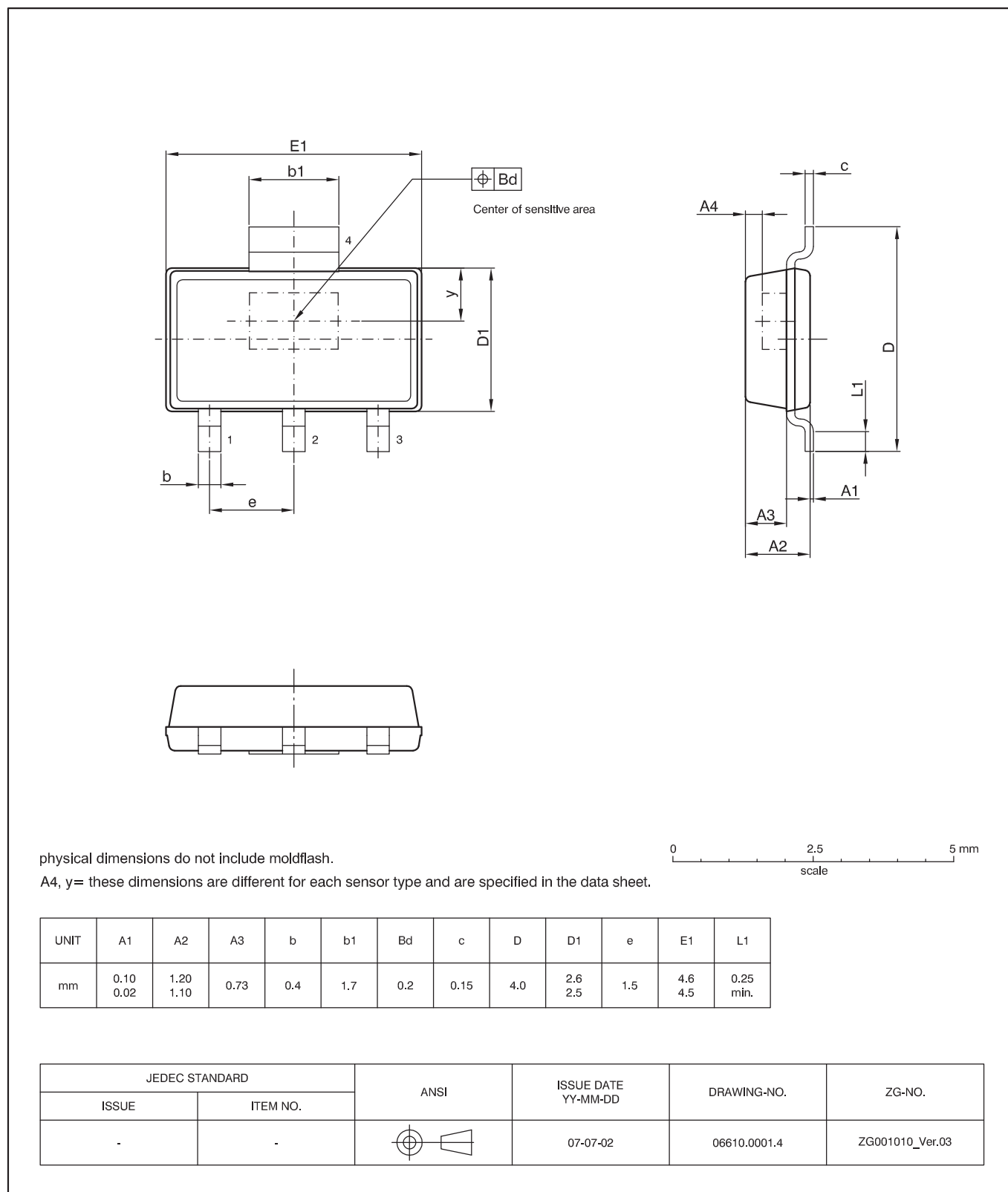


Fig. 3-1:
SOT89B-1: Plastic Small Outline Transistor package, 4 leads
 Ordering code: SF
 Weight approximately 0.034 g

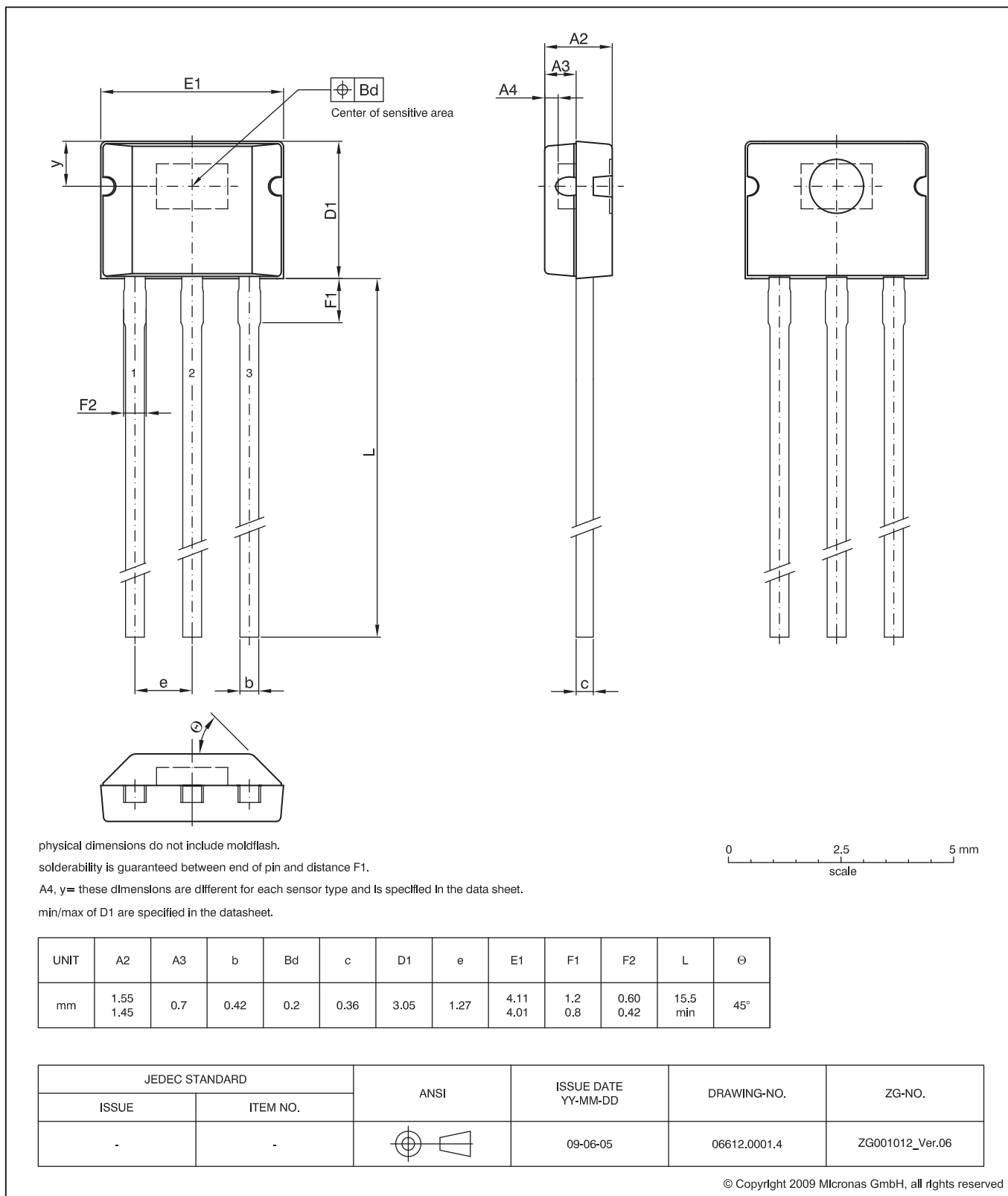
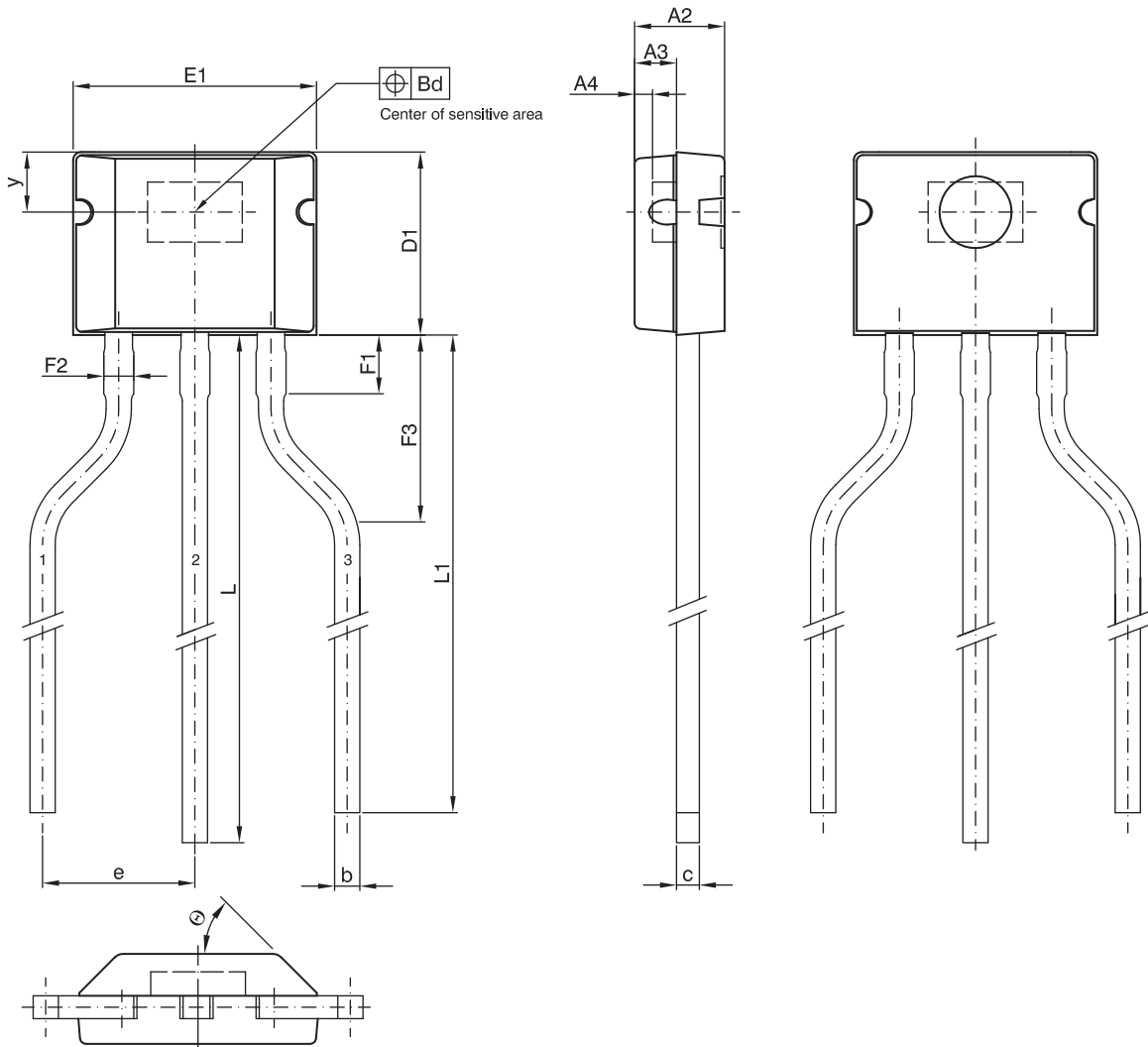


Fig. 3-2:
TO92UA-2: Plastic Transistor Standard UA package, 3 leads, not spread
 Weight approximately 0.106 g

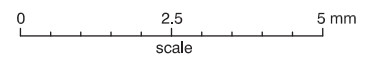


physical dimensions do not include moldflash.

solderability is guaranteed between end of pin and distance F1.

A4, y= these dimensions are different for each sensor type and is specified in the data sheet.

min/max of D1 are specified in the datasheet.



UNIT	A2	A3	b	Bd	c	D1	e	E1	F1	F2	F3	L	L1	θ
mm	1.55 1.45	0.7	0.42	0.2	0.36	3.05	2.54	4.11 4.01	1.2 0.8	0.60 0.42	4.0 2.0	15.5 min	15.0 min	45°

JEDEC STANDARD		ANSI	ISSUE DATE YY-MM-DD	DRAWING-NO.	ZG-NO.
ISSUE	ITEM NO.				
-	-		09-06-09	06616.0001.4	ZG001016_Ver.05

© Copyright 2009 Micronas GmbH, all rights reserved

Fig. 3-3:
TO92UA-1: Plastic Transistor Standard UA package, 3 leads, spread
 Weight approximately 0.106 g

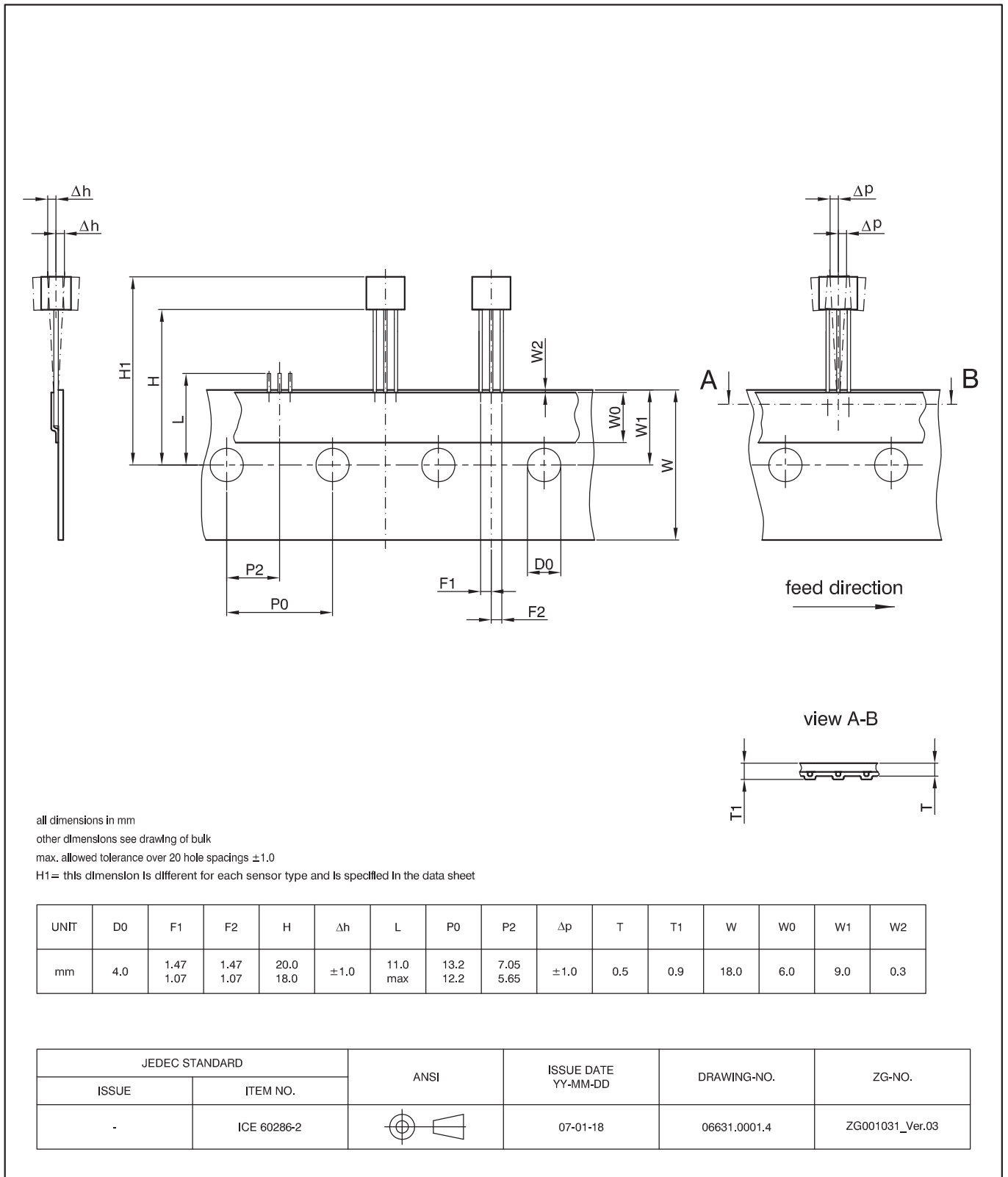


Fig. 3-4:
T092-2: Dimensions ammpack inline, not spread

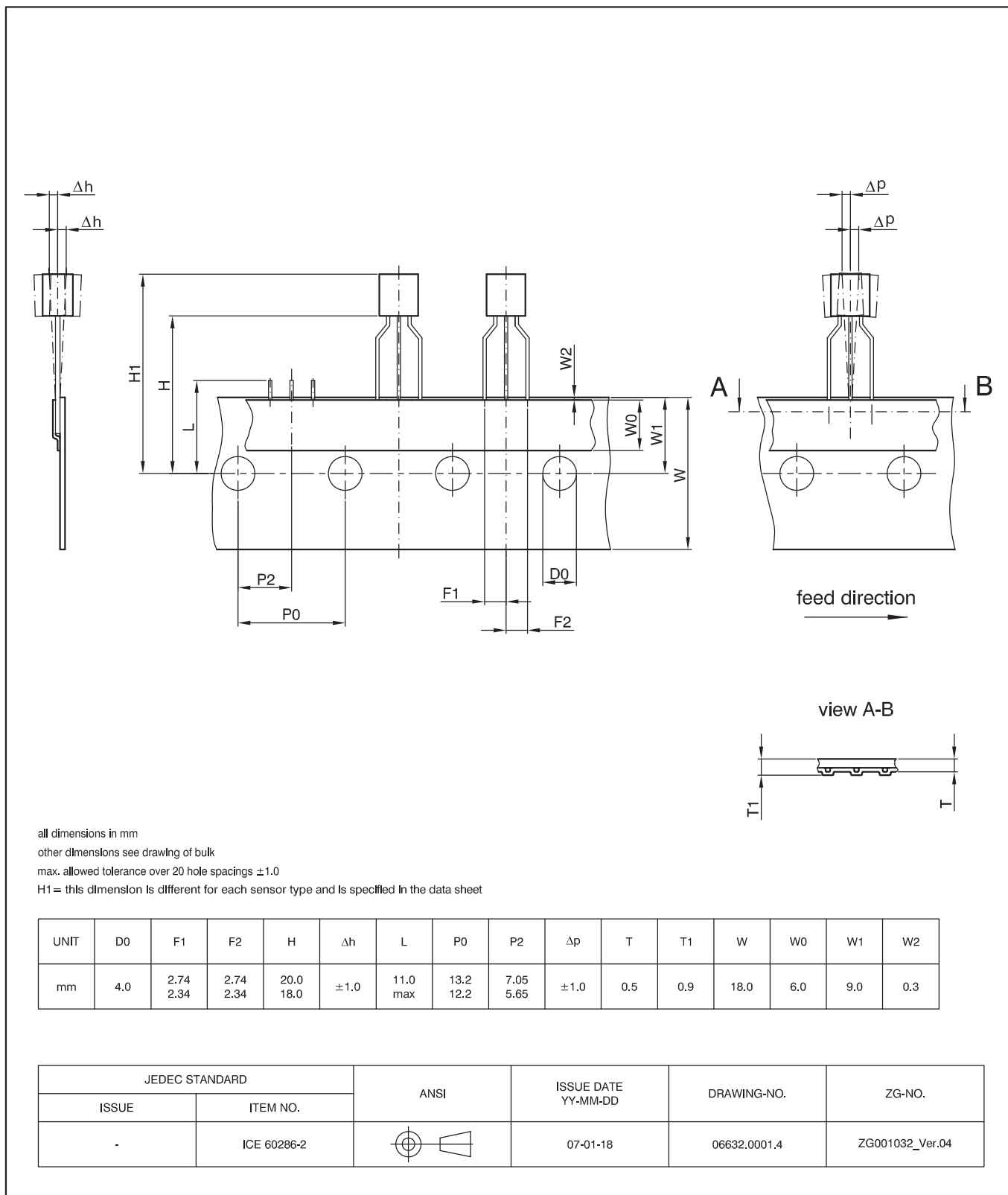


Fig. 3-5:
T092UA-1: Dimensions ammpack inline, spread

3.2. Dimensions of Sensitive Area

0.25 mm × 0.12 mm

3.3. Positions of Sensitive Areas

	SOT89B-1	TO92UA-1/-2
y	0.95 mm nominal	1.0 mm nominal
A4	0.3 mm nominal	0.3 mm nominal
D1	see drawing	3.05 mm ± 0.05 mm
H1	Not applicable	min. 21 mm max. 23.1 mm

3.4. Absolute Maximum Ratings

Stresses beyond those listed in the “Absolute Maximum Ratings” may cause permanent damage to the device. This is a stress rating only. Functional operation of the device at these conditions is not implied. Exposure to absolute maximum rating conditions for extended periods will affect device reliability.

This device contains circuitry to protect the inputs and outputs against damage due to high static voltages or electric fields; however, it is advised that normal precautions be taken to avoid application of any voltage higher than absolute maximum-rated voltages to this circuit.

All voltages listed are referenced to ground (GND).

Symbol	Parameter	Pin No.	Min.	Max.	Unit
V _{DD}	Supply Voltage	1	-15	28 ¹⁾	V
V _O	Output Voltage	3	-0.3	28 ¹⁾	V
I _O	Continuous Output On Current	3	-	50 ¹⁾	mA
T _J	Junction Temperature Range		-40 -40	150 170 ²⁾	°C
¹⁾ as long as T _{Jmax} is not exceeded ²⁾ t < 1000h					

3.4.1. Storage and Shelf Life

The permissible storage time (shelf life) of the sensors is unlimited, provided the sensors are stored at a maximum of 30 °C and a maximum of 85% relative humidity. At these conditions, no Dry Pack is required.

Solderability is guaranteed for one year from the date code on the package.

3.5. Recommended Operating Conditions

Functional operation of the device beyond those indicated in the “Recommended Operating Conditions” of this specification is not implied, may result in unpredictable behavior of the device and may reduce reliability and lifetime.

All voltages listed are referenced to ground (GND).

Symbol	Parameter	Pin No.	Min.	Max.	Unit
V_{DD}	Supply Voltage	1	3.8	24	V
I_O	Continuous Output On Current	3	0	20	mA
V_O	Output Voltage (output switched off)	3	0	24	V

3.6. Characteristics

at $T_J = -40\text{ }^{\circ}\text{C}$ to $+140\text{ }^{\circ}\text{C}$, $V_{DD} = 3.8\text{ V}$ to 24 V ,
 at Recommended Operation Conditions if not otherwise specified in the column "Conditions".
 Typical Characteristics for $T_J = 25\text{ }^{\circ}\text{C}$ and $V_{DD} = 12\text{ V}$.

Symbol	Parameter	Pin No.	Min.	Typ.	Max.	Unit	Test Conditions
I_{DD}	Supply Current over Temperature Range	1	1.6	3	5.2	mA	
V_{DDZ}	Overvoltage Protection at Supply	1	–	28.5	32	V	$I_{DD} = 25\text{ mA}$, $T_J = 25\text{ }^{\circ}\text{C}$, $t = 20\text{ ms}$
V_{OZ}	Overvoltage Protection at Output	3	–	28	32	V	$I_{OH} = 25\text{ mA}$, $T_J = 25\text{ }^{\circ}\text{C}$, $t = 20\text{ ms}$
V_{OL}	Output Voltage	3	–	130	280	mV	$I_{OL} = 20\text{ mA}$, $T_J = 25\text{ }^{\circ}\text{C}$
V_{OL}	Output Voltage over Temperature Range	3	–	130	400	mV	$I_{OL} = 20\text{ mA}$
I_{OH}	Output Leakage Current	3	–	0.06	0.1	μA	Output switched off, $T_J = 25\text{ }^{\circ}\text{C}$, $V_{OH} = 3.8\text{ to }24\text{ V}$
I_{OH}	Output Leakage Current over Temperature Range	3	–	–	10	μA	Output switched off, $T_J \leq 150\text{ }^{\circ}\text{C}$, $V_{OH} = 3.8\text{ to }24\text{ V}$
f_{osc}	Internal Oscillator Chopper Frequency over Temperature Range	–	73 100	115 150	– –	kHz kHz	HAL 525 HAL 526
$t_{en(O)}$	Enable Time of Output after Setting of V_{DD}	1	–	30	70	μs	$V_{DD} = 12\text{ V}$ $B > B_{ON} + 2\text{ mT}$ or $B < B_{OFF} - 2\text{ mT}$
t_r	Output Rise Time	3	–	75	400	ns	$V_{DD} = 12\text{ V}$, $R_L = 820\ \Omega$, $C_L = 20\text{ pF}$
t_f	Output Fall Time	3	–	50	400	ns	
SOT89B Package							
R_{thja}	Thermal Resistance Junction to Ambient	–	–	–	209 ¹⁾	K/W	30 mm x 10 mm x 1.5 mm, pad size (see Fig. 3–6)
R_{thjc}	Junction to Case	–	–	–	56 ¹⁾	K/W	
R_{thjs}	Junction to Solder Point	–	–	–	82 ²⁾	K/W	
TO92UA Package							
R_{thja}	Thermal Resistance Junction to Ambient	–	–	–	246 ¹⁾	K/W	
R_{thjc}	Junction to Case	–	–	–	70 ¹⁾	K/W	
R_{thjs}	Junction to Solder Point	–	–	–	127 ²⁾	K/W	
¹⁾ Measured with a 1s0p board ²⁾ Measured with a 1s1p board							

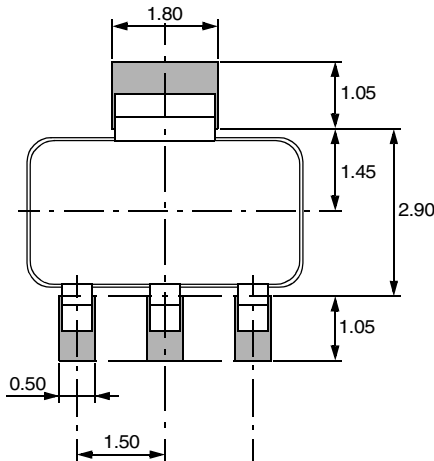


Fig. 3-6: Recommended pad size SOT89B-1
Dimensions in mm

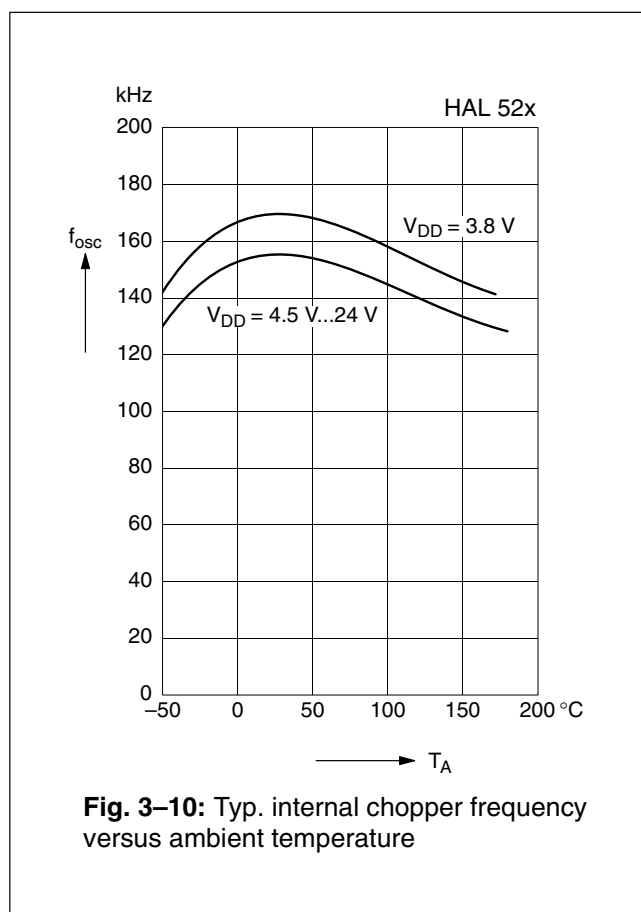
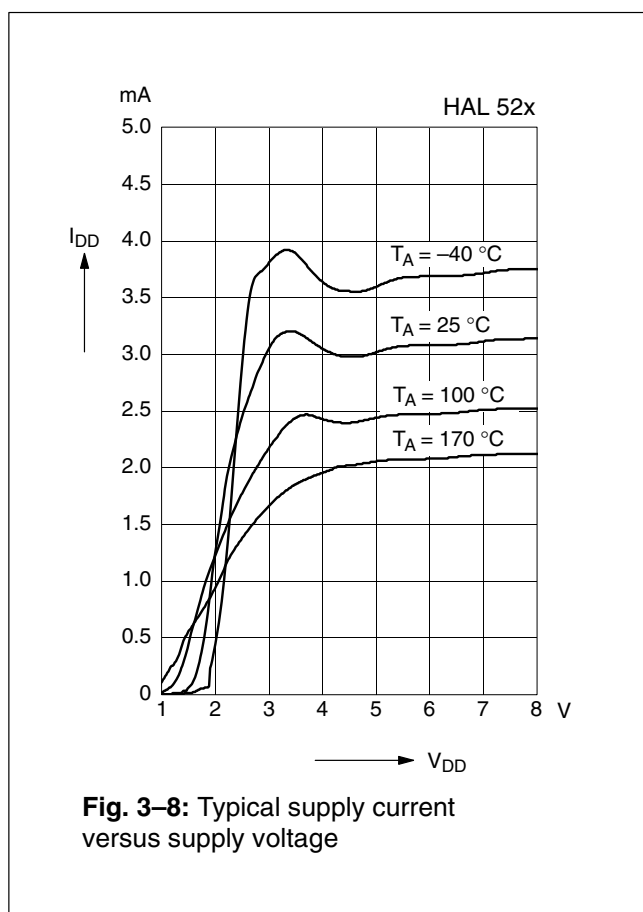
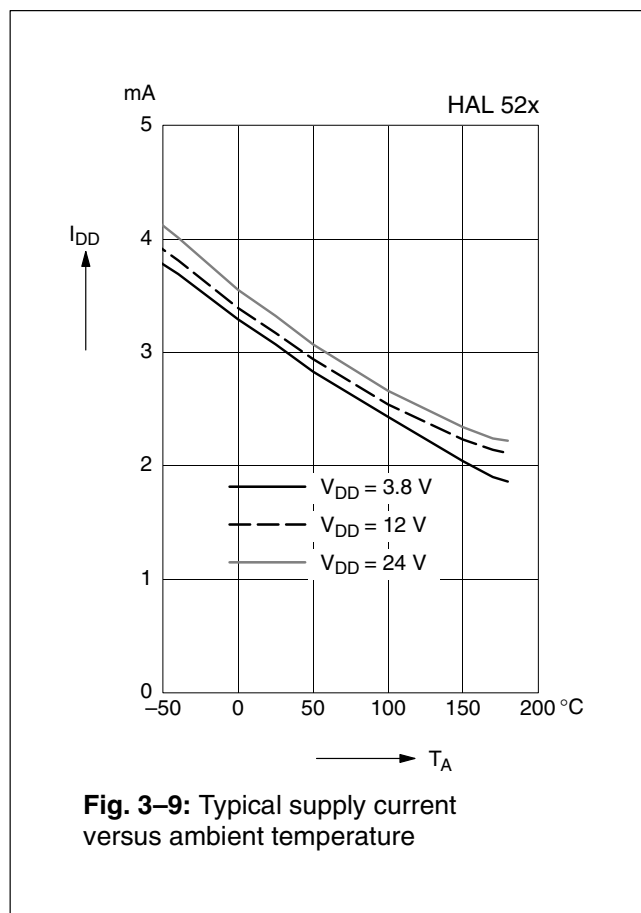
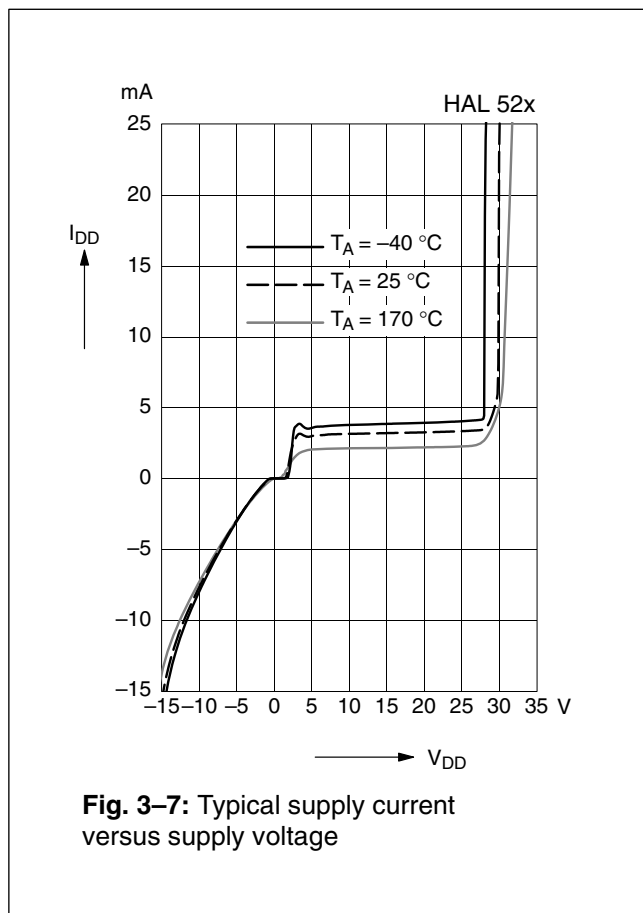
3.7. Magnetic Characteristics Overview

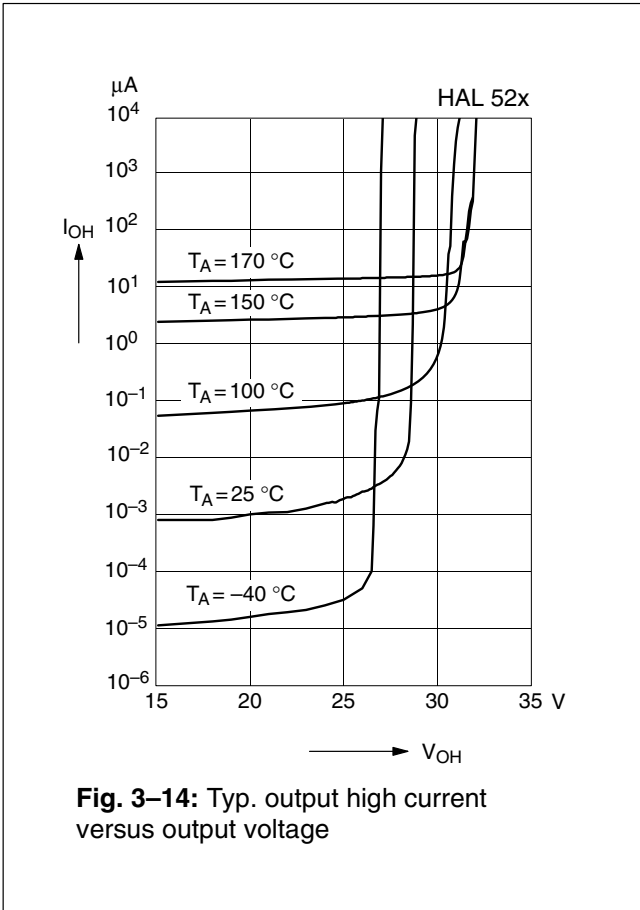
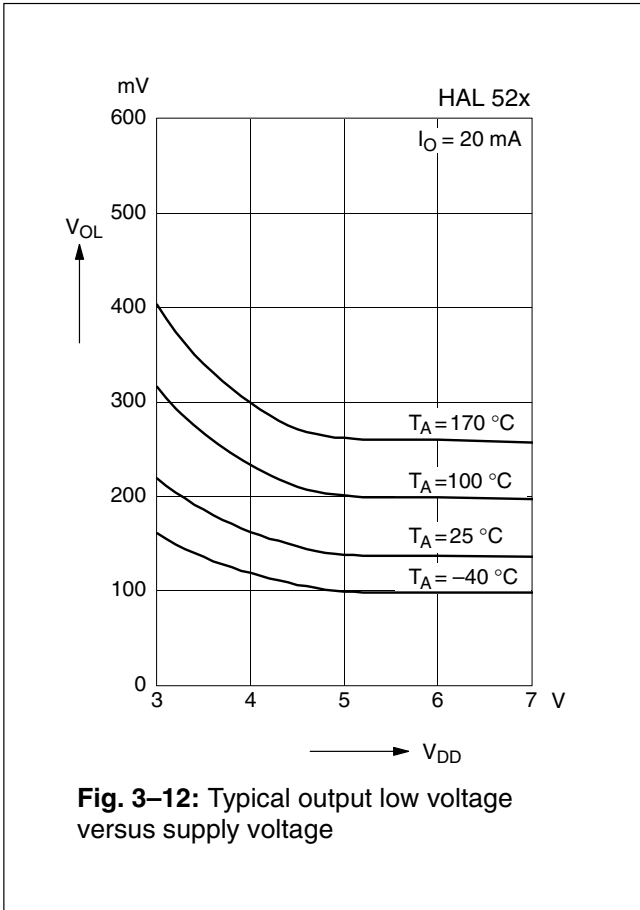
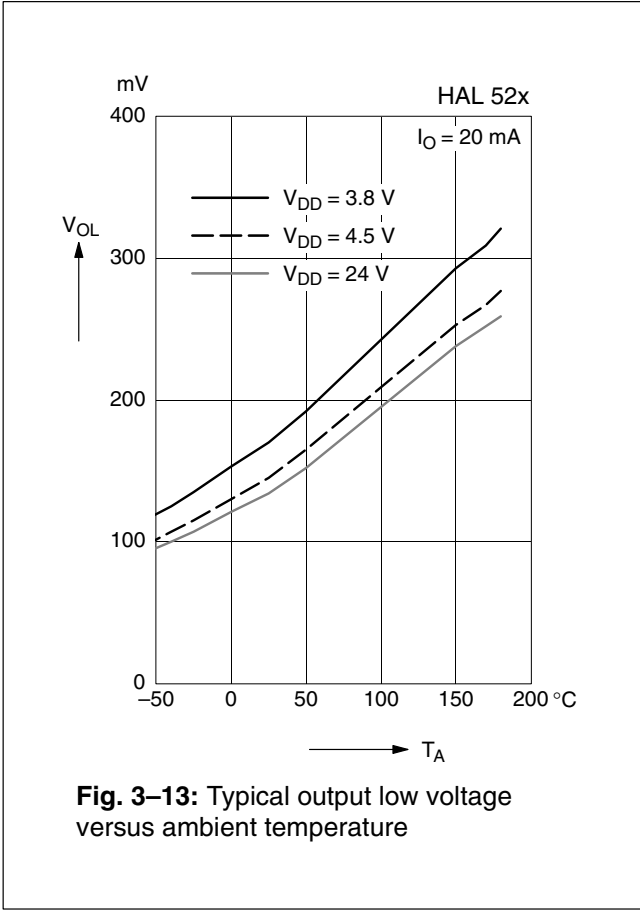
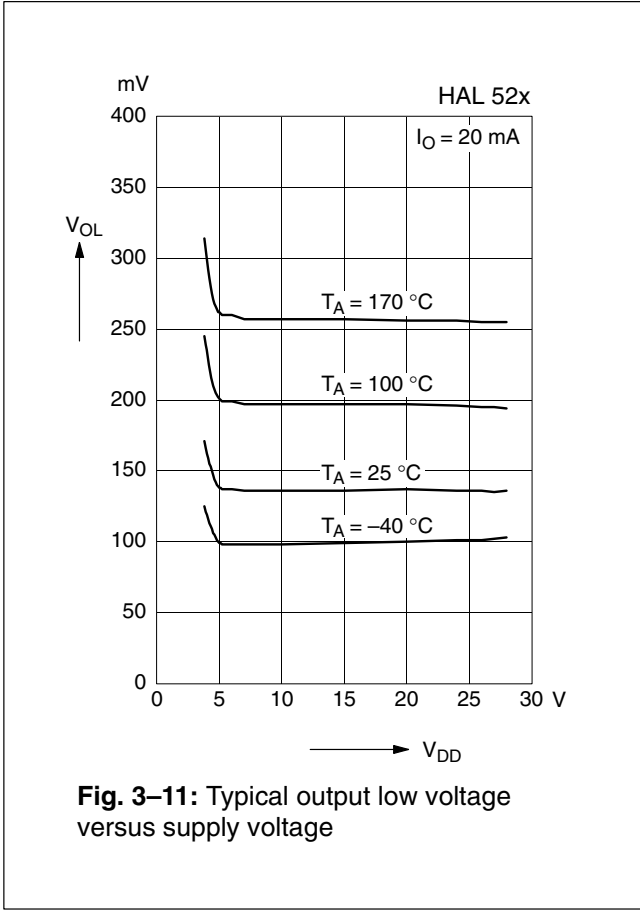
at $T_J = -40\text{ }^\circ\text{C}$ to $+140\text{ }^\circ\text{C}$, $V_{DD} = 3.8\text{ V}$ to 24 V
Typical Characteristics for $T_J = 25\text{ }^\circ\text{C}$ and $V_{DD} = 12\text{ V}$.

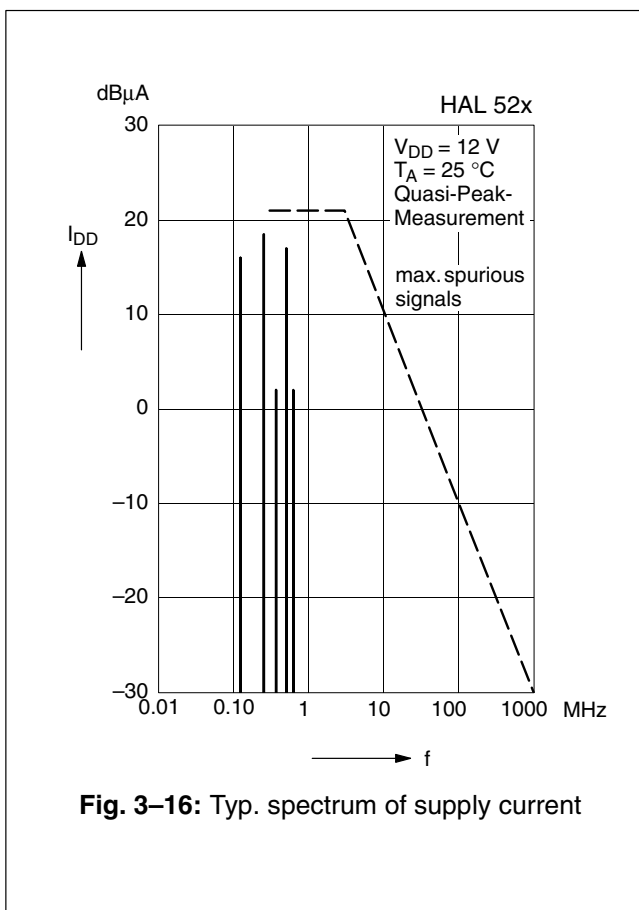
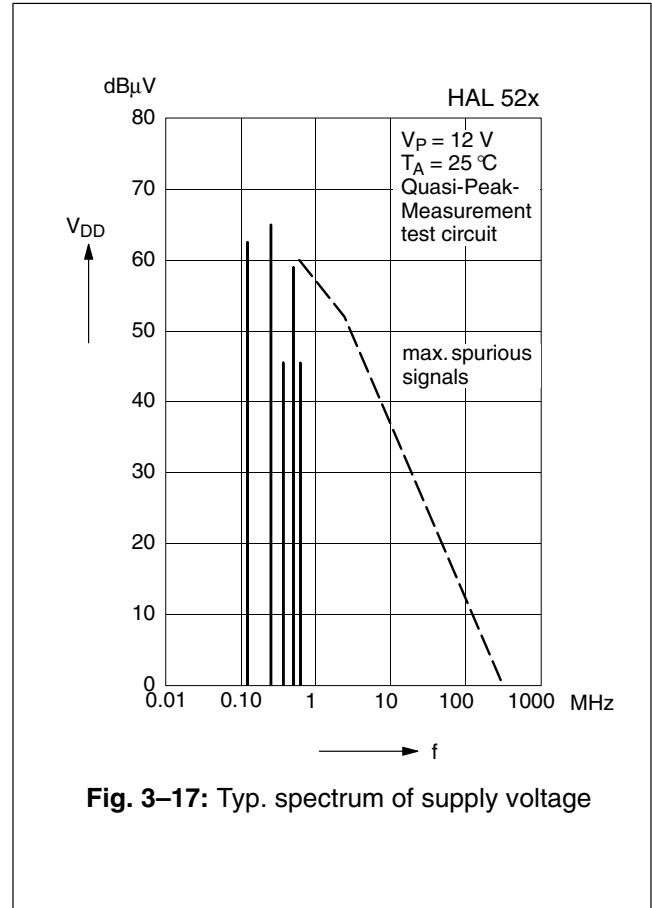
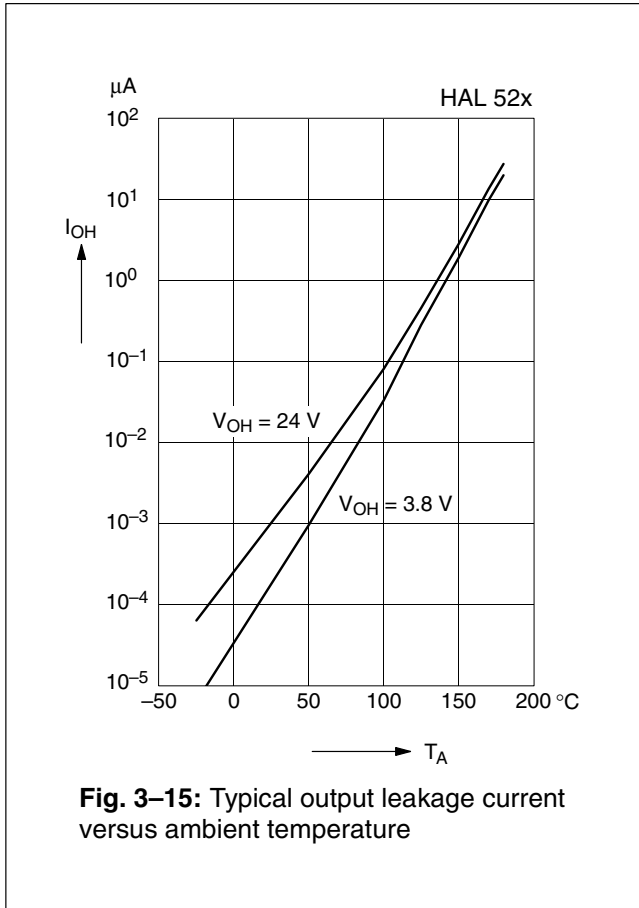
Magnetic flux density values of switching points.
Positive flux density values refer to the magnetic south pole at the branded side of the package.

Sensor	Parameter	On point B_{ON}			Off point B_{OFF}			Hysteresis B_{HYS}			Unit
		Min.	Typ.	Max.	Min.	Typ.	Max.	Min.	Typ.	Max.	
HAL 525 latching	$-40\text{ }^\circ\text{C}$	11.8	15.8	19.2	-19.2	-15.8	-11.8	27.4	31.6	35.8	mT
	$25\text{ }^\circ\text{C}$	11	14	17	-17	-14	-11	24	28	32	mT
	$140\text{ }^\circ\text{C}$	6.5	10	14	-14	-10	-6.5	16	20	26	mT
HAL 526 latching	$-40\text{ }^\circ\text{C}$	11.8	15.8	19.2	-19.2	-15.8	-11.8	27.4	31.6	35.8	mT
	$25\text{ }^\circ\text{C}$	11	14	17	-17	-14	-11	24	28	32	mT
	$140\text{ }^\circ\text{C}$	6.5	10	14	-14	-10	-6.5	16	20	26	mT

Note: For detailed descriptions of the individual types, see pages 19 and following.







4. Type Description

4.1. HAL 525[†]

The HAL 525[†] is a latching sensor (see Fig. 4-1).

The output turns low with the magnetic south pole on the branded side of the package and turns high with the magnetic north pole on the branded side. The output does not change if the magnetic field is removed. For changing the output state, the opposite magnetic field polarity must be applied.

For correct functioning in the application, the sensor requires both magnetic polarities (north and south) on the branded side of the package.

Magnetic Features:

- switching type: latching
- low sensitivity
- typical B_{ON}: 14 mT at room temperature
- typical B_{OFF}: -14 mT at room temperature
- operates with static magnetic fields and dynamic magnetic fields up to 10 kHz
- typical temperature coefficient of magnetic switching points is -2000 ppm/K

Applications

The HAL 525[†] is an optimal sensor for applications with alternating magnetic signals such as:

- multipole magnet applications,
- rotating speed measurement,
- commutation of brushless DC motors, and
- window lifter.

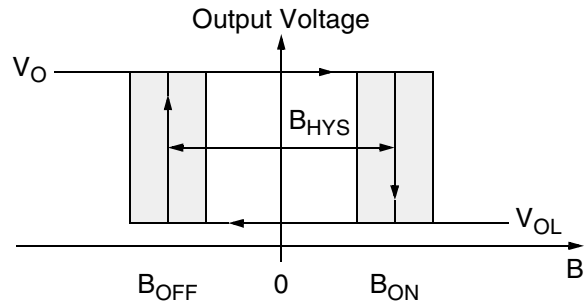


Fig. 4-1: Definition of magnetic switching points for the HAL 525[†]

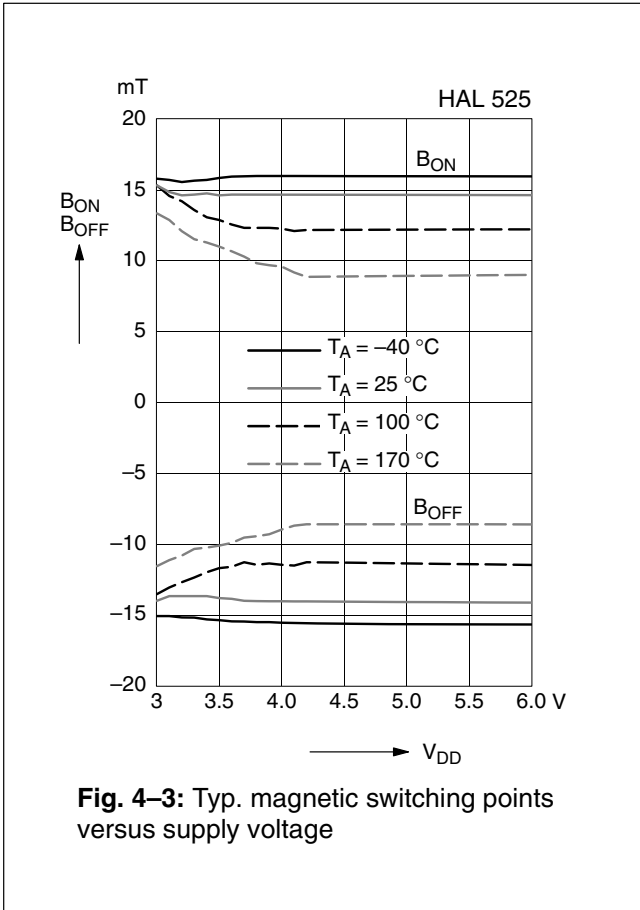
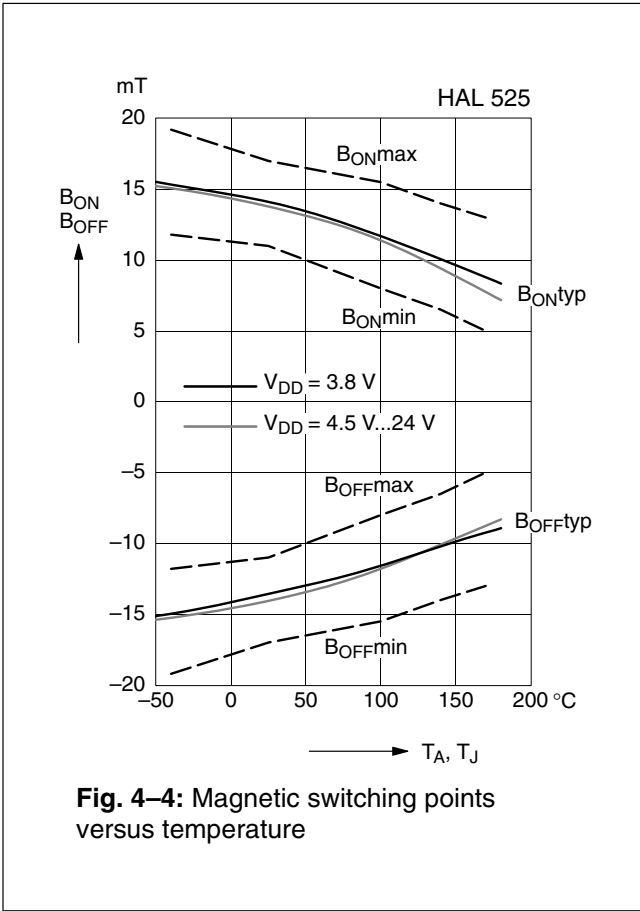
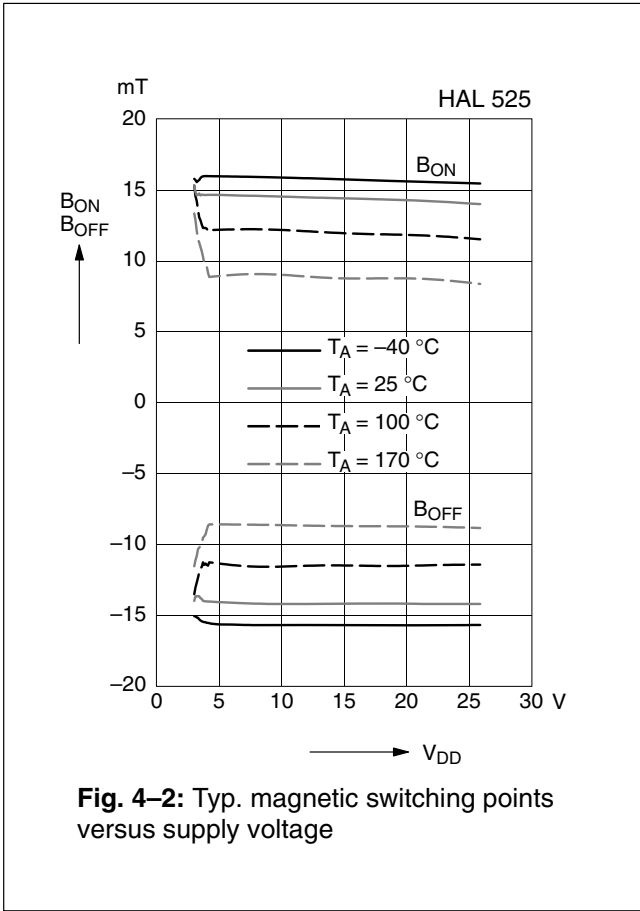
Note: [†]:HAL 525 is not available for new designs. Please use HAL 526 instead.

Magnetic Characteristics at T_J = -40 °C to +140 °C, V_{DD} = 3.8 V to 24 V, Typical Characteristics for V_{DD} = 12 V

Magnetic flux density values of switching points. Positive flux density values refer to the magnetic south pole at the branded side of the package.

Parameter	On point B _{ON}			Off point B _{OFF}			Hysteresis B _{HYS}			Magnetic Offset			Unit
	Min.	Typ.	Max.	Min.	Typ.	Max.	Min.	Typ.	Max.	Min.	Typ.	Max.	
T _J -40 °C	11.8	15.8	19.2	-19.2	-15.8	-11.8	27.4	31.6	35.8		0		mT
25 °C	11	14	17	-17	-14	-11	24	28	32	-2	0	2	mT
100 °C	8	11	15.5	-15.5	-11	-8	18.5	22	28.7		0		mT
140 °C	6.5	10	14	-14	-10	-6.5	16	20	26		0		mT

The hysteresis is the difference between the switching points B_{HYS} = B_{ON} - B_{OFF}
 The magnetic offset is the mean value of the switching points B_{OFFSET} = (B_{ON} + B_{OFF}) / 2



Note: In the diagram “Magnetic switching points versus ambient temperature”, the curves for B_{ONmin} , B_{ONmax} , B_{OFFmin} , and B_{OFFmax} refer to junction temperature, whereas typical curves refer to ambient temperature.

4.2. HAL 526

The HAL 526 is a latching sensor (see Fig. 4–5).

The output turns low with the magnetic south pole on the branded side of the package and turns high with the magnetic north pole on the branded side. The output does not change if the magnetic field is removed. For changing the output state, the opposite magnetic field polarity must be applied.

For correct functioning in the application, the sensor requires both magnetic polarities (north and south) on the branded side of the package.

Magnetic Features:

- switching type: latching
- low sensitivity
- typical B_{ON} : 14 mT at room temperature
- typical B_{OFF} : -14 mT at room temperature
- operates with static magnetic fields and dynamic magnetic fields up to 10 kHz
- typical temperature coefficient of magnetic switching points is -2000 ppm/K

Applications

The HAL 526 is an optimal sensor for applications with alternating magnetic signals such as:

- multipole magnet applications,
- rotating speed measurement,
- commutation of brushless DC motors, and
- window lifter.

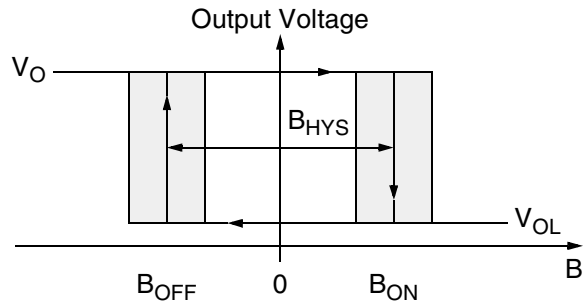


Fig. 4–5: Definition of magnetic switching points for the HAL 526

Magnetic Characteristics at $T_J = -40\text{ °C}$ to $+140\text{ °C}$, $V_{DD} = 3.8\text{ V}$ to 24 V , Typical Characteristics for $V_{DD} = 12\text{ V}$

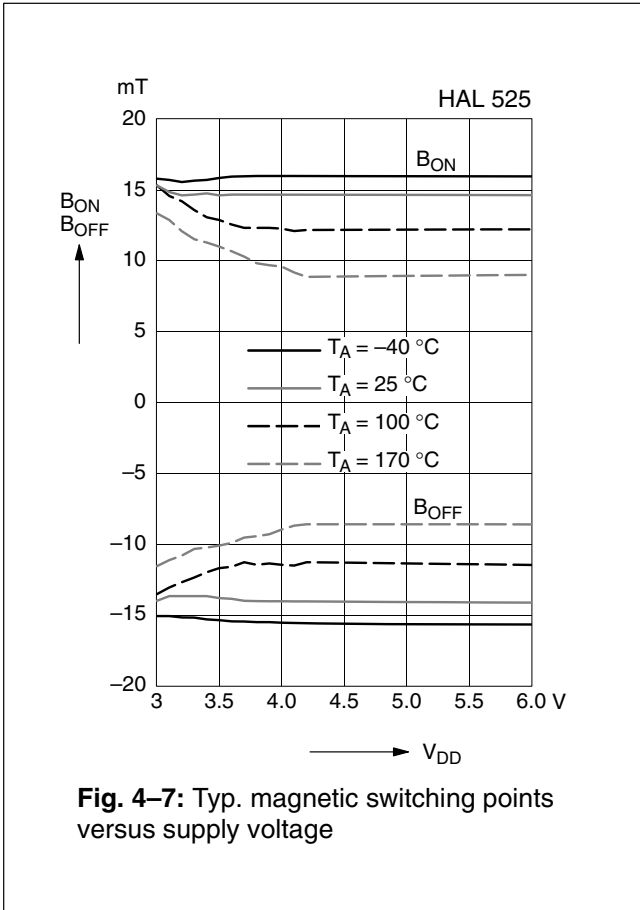
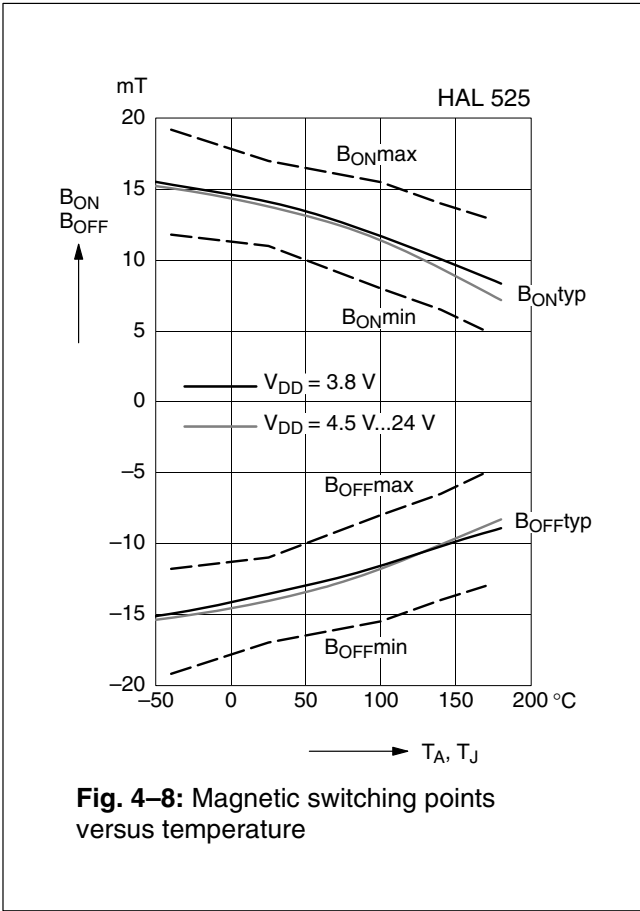
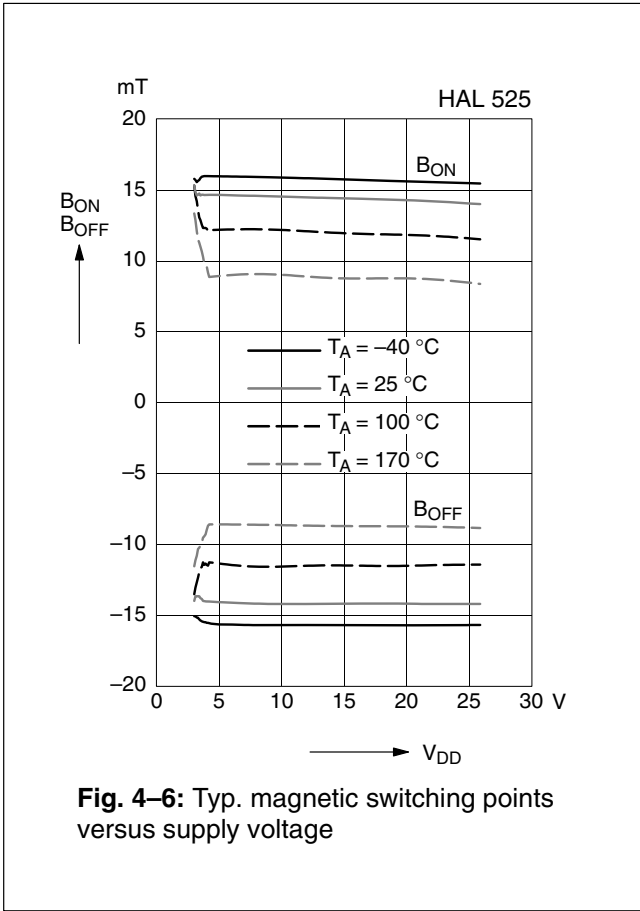
Magnetic flux density values of switching points.

Positive flux density values refer to the magnetic south pole at the branded side of the package.

Parameter	On point B_{ON}			Off point B_{OFF}			Hysteresis B_{HYS}			Magnetic Offset			Unit
	Min.	Typ.	Max.	Min.	Typ.	Max.	Min.	Typ.	Max.	Min.	Typ.	Max.	
T_J													
-40 °C	11.8	15.8	19.2	-19.2	-15.8	-11.8	27.4	31.6	35.8		0		mT
25 °C	11	14	17	-17	-14	-11	24	28	32	-2	0	2	mT
100 °C	8	11	15.5	-15.5	-11	-8	18.5	22	28.7		0		mT
140 °C	6.5	10	14	-14	-10	-6.5	16	20	26		0		mT

The hysteresis is the difference between the switching points $B_{HYS} = B_{ON} - B_{OFF}$

The magnetic offset is the mean value of the switching points $B_{OFFSET} = (B_{ON} + B_{OFF}) / 2$



Note: In the diagram “Magnetic switching points versus ambient temperature”, the curves for B_{ONmin} , B_{ONmax} , B_{OFFmin} , and B_{OFFmax} refer to junction temperature, whereas typical curves refer to ambient temperature.

5. Application Notes

5.1. Ambient Temperature

Due to the internal power dissipation, the temperature on the silicon chip (junction temperature T_J) is higher than the temperature outside the package (ambient temperature T_A).

$$T_J = T_A + \Delta T$$

At static conditions and continuous operation, the following equation applies:

$$\Delta T = I_{DD} \times V_{DD} \times R_{th}$$

If $I_{OUT} > I_{DD}$, please contact Micronas application support for detailed instructions on calculating ambient temperature.

For typical values, use the typical parameters. For worst case calculation, use the max. parameters for I_{DD} and R_{th} , and the max. value for V_{DD} from the application.

For all sensors, the junction temperature range T_J is specified. The maximum ambient temperature T_{Amax} can be calculated as:

$$T_{Amax} = T_{Jmax} - \Delta T$$

5.2. Extended Operating Conditions

All sensors fulfill the electrical and magnetic characteristics when operated within the Recommended Operating Conditions (see page 13).

Supply Voltage Below 3.8 V

Typically, the sensors operate with supply voltages above 3 V, however, below 3.8 V some characteristics may be outside the specification.

Note: The functionality of the sensor below 3.8 V is not tested. For special test conditions, please contact Micronas.

5.3. Start-Up Behavior

Due to the active offset compensation, the sensors have an initialization time (enable time $t_{en(O)}$) after applying the supply voltage. The parameter $t_{en(O)}$ is specified in the Characteristics (see page 14).

During the initialization time, the output state is not defined and the output can toggle. After $t_{en(O)}$, the output will be low if the applied magnetic field B is above B_{ON} . The output will be high if B is below B_{OFF} .

For magnetic fields between B_{OFF} and B_{ON} , the output state of the HAL sensor after applying V_{DD} will be either low or high. In order to achieve a well-defined output state, the applied magnetic field must be above B_{ONmax} , respectively, below B_{OFFmin} .

5.4. EMC and ESD

For applications with disturbances on the supply line or radiated disturbances, a series resistor and a capacitor are recommended (see Fig. 5–1). The series resistor and the capacitor should be placed as closely as possible to the HAL sensor.

Applications with this arrangement passed the EMC tests according to the product standards ISO 7637.

Please contact Micronas for the detailed investigation reports with the EMC and ESD results.

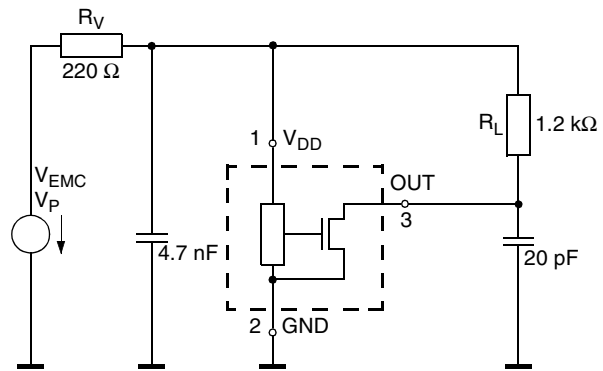


Fig. 5–1: Test circuit for EMC investigations

6. Data Sheet History

1. Final data sheet: "HAL 525 Hall Effect Sensor IC", April 23, 1997, 6251-465-1DS. First release of the final data sheet.
2. Final data sheet: "HAL 525 Hall Effect Sensor IC", March 10, 1999, 6251-465-2DS. Second release of the final data sheet. Major changes:
 - additional package SOT-89B
 - outline dimensions for SOT-89A and TO-92UA changed
 - electrical characteristics changed
 - section 4.2.: Extended Operating Conditions added
 - section 4.3.: Start-up Behavior added
3. Final data sheet: "HAL 525, HAL 535 Hall Effect Sensor Family", Aug. 30, 2000, 6251-465-3DS. Third release of the final data sheet. Major changes:
 - new sensor HAL 535 added
 - outline dimensions for SOT-89B: reduced tolerances
 - SMD package SOT-89A removed
 - temperature range "C" removed
4. Data Sheet: "HAL 525, HAL 535 Hall Effect Sensor Family", Aug. 8, 2002, 6251-465-4DS. Fourth release of the data sheet. Major changes:
 - outline dimensions for TO-92UA changed
 - temperature range "A" removed
5. Data Sheet: "HAL 525, HAL 526, HAL 535 Hall Effect Sensor Family", Oct. 22, 2002, 6251-465-5DS. Fifth release of the data sheet. Major changes:
 - new sensor HAL 526 added
6. Data Sheet: "HAL 526, HAL 535 Hall Effect Sensor Family", March 31, 2004, 6251-465-6DS. Sixth release of the data sheet. Major changes:
 - specification for HAL 525 removed
 - new package diagrams for SOT89B-1 and TO92UA-1
 - package diagram for TO92UA-2 added
 - ammopack diagrams for TO92UA-1/-2 added
7. Data Sheet: "HAL 526 Hall-Effect Switch", Nov. 8, 2007, DSH000144_001EN. Seventh release of the data sheet. Major changes:
 - specification for HAL 535 removed
 - package diagrams for SOT89B-1, TO92UA-1, and TO92UA-2 updated
 - ammopack diagrams for TO92UA-1/-2 updated
8. Data Sheet: "HAL 526 Hall-Effect Switches", Feb. 6, 2009, DSH000144_002EN. Eighth release of the data sheet. Major changes:
 - Section 1.6. "Solderability and Welding" updated
9. Data Sheet: "HAL 525, HAL 526 Hall-Effect Switches", Nov. 30, 2009, DSH000144_003EN. Ninth release of the data sheet. Major changes:
 - HAL 525 added

SUNSTAR商斯达实业集团是集研发、生产、工程、销售、代理经销、技术咨询、信息服务等为一体的高科技企业，是专业高科技电子产品生产厂家，是具有10多年历史的专业电子元器件供应商，是中国最早和最大的仓储式连锁规模经营大型综合电子零部件代理分销商之一，是一家专业代理和分销世界各大品牌IC芯片和电子元器件的连锁经营综合性国际公司。在香港、北京、深圳、上海、西安、成都等全国主要电子市场设有直属分公司和产品展示展销窗口门市部专卖店及代理分销商，已在全国范围内建成强大统一的供货和代理分销网络。我们专业代理经销、开发生产电子元器件、集成电路、传感器、微波光电元器件、工控机/DOC/DOM电子盘、专用电路、单片机开发、MCU/DSP/ARM/FPGA软件硬件、二极管、三极管、模块等，是您可靠的一站式现货配套供应商、方案提供商、部件功能模块开发配套商。专业以现代信息产业（计算机、通讯及传感器）三大支柱之一的传感器为主营业务，专业经营各类传感器的代理、销售生产、网络信息、科技图书资料及配套产品设计、工程开发。我们的专业网站——**中国传感器科技信息网（全球传感器数据库）www.SENSOR-IC.COM** 服务于全球高科技生产商及贸易商，为企业科技产品开发提供技术交流平台。欢迎各厂商互通有无、交换信息、交换链接、发布寻求代理信息。欢迎国外高科技传感器、变送器、执行器、自动控制产品厂商介绍产品到**中国**，共同开拓市场。本网站是关于各种传感器-变送器-仪器仪表及工业自动化大型专业网站，深入到工业控制、系统工程计 测量、自动化、安防报警、消费电子等众多领域，把最新的传感器-变送器-仪器仪表买卖信息，最新技术供求，最新采购商，行业动态，发展方向，最新的技术应用和市场资讯及时的传递给广大科技开发、科学研究、产品设计人员。本网站已成功为石油、化工、电力、医药、生物、航空、航天、国防、能源、冶金、电子、工业、农业、交通、汽车、矿山、煤炭、纺织、信息、通信、IT、安防、环保、印刷、科研、气象、仪器仪表等领域从事科学研究、产品设计、开发、生产制造的科技人员、管理人员、和采购人员提供满意服务。**我公司专业生产、代理、经销、销售各种传感器、变送器、敏感元器件、开关、执行器、仪器仪表、自动化控制系统：专门从事设计、生产、销售各种传感器、变送器、各种测控仪表、热工仪表、现场控制器、计算机控制系统、数据采集系统、各类环境监控系统、专用控制系统应用软件以及嵌入式系统开发及应用等工作。如热敏电阻、压敏电阻、温度传感器、温度变送器、湿度传感器、湿度变送器、气体传感器、气体变送器、压力传感器、压力变送、称重传感器、物（液）位传感器、物（液）位变送器、流量传感器、流量变送器、电流（压）传感器、溶氧传感器、霍尔传感器、图像传感器、超声波传感器、位移传感器、速度传感器、加速度传感器、扭距传感器、红外传感器、紫外传感器、火焰传感器、激光传感器、振动传感器、轴角传感器、光电传感器、接近传感器、干簧管传感器、继电器传感器、微型电泵、磁敏（阻）传感器、压力开关、接近开关、光电开关、色标传感器、光纤传感器、齿轮测速传感器、时间继电器、计数器、计米器、温控仪、固态继电器、调压模块、电磁铁、电压表、电流表等特殊传感器。同时承接传感器应用电路、产品设计和自动化工程项目。**

欢迎索取免费详细资料、设计指南和光盘；产品凡多，未能尽录，欢迎来电查询。

更多产品请看本公司产品专用销售网站：

商斯达中国传感器科技信息网：<http://www.sensor-ic.com/>

商斯达工控安防网：<http://www.pc-ps.net/>

商斯达电子元器件网：<http://www.sunstare.com/>

商斯达微波光电产品网：[HTTP://www.rfoe.net/](http://www.rfoe.net/)

商斯达消费电子产品网：<http://www.icasic.com/>

商斯达军工产品网：<http://www.junpinic.com/>

商斯达实业科技产品网：<http://www.sunstars.cn/>传感器销售热线：

电话：0755-83607652 83376489 83376549 83370250 83370251 82500323

传真：0755-83376182 (0) 13902971329 MSN: SUNS888@hotmail.com

邮编：518033 E-mail: szss20@163.com QQ: 195847376

技术支持：0755-83394033 13501568376