

Model 702 Shaft



Features

- Standard Size 20 Package (2" x 2")
- Flange, and Servo Mounting
- Up to 30,000 CPR
- 80 lb Max. Axial and Radial Shaft Loading
- IP67 Sealing Available

The Model 702 Size 20 Accu-Coder™ is a heavy duty, extremely rugged, reliable, yet compact industry standard 2" diameter encoder, designed for harsh factory and plant floor environments. The double shielded ball bearings are rated at 80 lb maximum axial and radial shaft loading to ensure a long operating life. Made to withstand the harsh effects of the real world, both the flange and servo models are rated IP67 with the optional heavy duty shaft seal. With a variety of mounting options in both the flange and servo models, the Model 702 is ideal for both new applications and replacements. If you need an encoder that won't let you down, the Model 702 is it.

Common Applications

Motion Control Feedback, Conveyors, Elevator Controls, Machine Control, Food Processing, Process Control, Robotics, Material Handling, Textile Machines

Model 702 Ordering Guide

Blue type indicates price adder options. Not all configuration combinations may be available. Contact Customer Service for details.

702	20	S	1000	R	HV	1	F	1	E	X	N	CE
MODEL 702 Size 20 (2.0")		OPERATING TEMPERATURE S 0° to 70° C H 0° to 100°C ³			OUTPUT TYPE 5 - 28V In/Out ⁵ OC Open Collector PU Pull-Up Resistor PP Push-Pull HV Line Driver ¹⁰			SEAL N No Seal 1 IP66 2 IP64 5 IP67	CONNECTOR LOCATION E End S Side		MATING CONNECTOR N No Y Yes	CERTIFICATION N None CE CE Marked ⁹
	SHAFT SIZE¹ 07 1/4", 0.250" 20 3/8", 0.375" 21 10 mm 30 3/8", 0.375" ² 24 1/4", 0.250" No Flat		CYCLES PER REVOLUTION 1-30,000 See CPR Options below for available resolutions. Price adder for CPR >1270		8 - 28V In/5V Out^{6,12} H5 Line Driver ¹⁰ P5 Push-Pull			MOUNTING Flange Mounts F 1.181" Female Pilot L 0.687" Male Pilot G 1.250" Male Pilot K Size 25 w/30 Shaft Servo Mounts S #1 w/1.181" Female Pilot U #1 w/0.687" Male Pilot T #1 w/1.250" Male Pilot C #2 w/1.181" Female Pilot E #2 w/0.687" Male Pilot D #2 w/1.250" Male Pilot P #3 w/1.181" Female Pilot Q #3 w/0.687" Male Pilot R #3 w/1.250" Male Pilot J Size 25 w/30 Shaft			CONNECTOR TYPE¹¹ W 6-pin MS Style Y 7-pin MS Style X 10-pin MS Style 9D 9-pin D-subminiature J 5-pin M12 (12 mm) K 8-pin M12 (12 mm) G Gland, 24" Cable ⁸ H 10-pin Bayonet	
			NUMBER OF CHANNELS⁴ A Channel A Channel A Leads B Q Quadrature A & B R Quadrature A & B with Index Channel B Leads A K Reverse Quadrature A & B D Reverse Quadrature A & B with Index		MAXIMUM FREQUENCY 1 100 kHz (Standard) 2 200 kHz 5 250 kHz, >3000 CPR 3 500 kHz, >6000 CPR ⁷ 4 1 MHz, >10,000 CPR ⁷							

For specification assistance call Customer Service at 1-800-366-5412

Model 702 CPR Options

0001*	0002*	0004*	0005*	0006*	0007*	0008*	0010*	0011*
0012*	0014*	0020	0021*	0024*	0025*	0028*	0030*	0032*
0033*	0034*	0035*	0038*	0040*	0042*	0045*	0050*	0060
0064*	0100	0120	0125	0128*	0144*	0150*	0160*	0192*
0200	0240*	0250	0254*	0256*	0300	0333*	0360	0400
0500	0512	0600	0625*	0635	0665*	0720	0768*	0800
0889	0900*	1000	1024	1200	1201* ^a	1203* ^a	1204* ^a	1250 ^a
1270 ^a	1440	1500	1800	2000	2048	2400 ^a	2500	2540 ^a
2880 ^a	3000 ^a	3600 ^a	4000 ^a	4096 ^a	5000 ^a	6000 ^a	7200 ^a	7500 ^a
9000 ^a	10,000 ^a	10,240 ^a	12,000 ^a	12,500 ^a	14,400 ^a	15,000 ^a	18,000 ^a	20,000 ^a
20,480 ^a	25,000 ^a	30,000 ^a						

* Contact Customer Service for High Temperature Option.
^a High Temperature Option (H) limited to 85° C maximum for these CPR options.
 New CPR values are periodically added to those listed. Contact Customer Service to determine all currently available CPR values. Special disk resolutions are available upon request.
 A one-time NRE fee may apply.

NOTES:

- 1 Contact Customer Service for additional options.
- 2 Shaft with Size 25 Mounting Adapter, J or K mounting only.
- 3 0° to 85° C for certain resolutions, see CPR Options.
- 4 Contact Customer Service for non-standard index gating options.
- 5 24 VDC max for high temperature option.
- 6 Standard temperature, 60 to 3000 CPR only.
- 7 Standard cable lengths only. For details, please refer to **Technical Bulletin TB116: Noise & Signal Considerations**.
- 8 For non-standard cable lengths, add a forward slash (/) plus cable length expressed in feet. Example: G/6 = 6 feet of cable.
- 9 Please refer to **Technical Bulletin TB 100: When to Choose the CE Option** found on the web at www.encoder.com.
- 10 Not available with 5-pin M12 or 6-pin MS Type connector. Available with 7-pin MS Type connector only without Index Z.
- 11 For Mating Connectors, Cables, and Cordsets see Encoder Accessories on the web at www.encoder.com.
- 12 H5 and P5 outputs are not available with CE option, or any End Mount MS Connector

Model 702 Shaft

Model 702 Specifications

Electrical

Input Voltage.....4.75 to 28 VDC max for temperatures up to 70° C
 4.75 to 24 VDC for temperatures between 70° C to 100° C

Input Current.....100 mA max with no output load

Input Ripple.....100 mV peak-to-peak at 0 to 100 kHz

Output FormatIncremental- Two square waves in quadrature with channel A leading B for clockwise shaft rotation, as viewed from the encoder mounting face. See *Waveform Diagrams*.

Output TypesOpen Collector- 100 mA max per channel
 Pull-Up- 100 mA max per channel
 Push-Pull- 20 mA max per channel
 Line Driver- 20 mA max per channel (Meets RS 422 at 5 VDC supply)

IndexOccurs once per revolution. The index for units >3000 CPR is 90° gated to Outputs A and B. See *Waveform Diagrams*.

Max Frequency.....Up to 1 MHz.

Noise Immunity.....Tested to BS EN61000-4-2; IEC801-3; BS EN61000-4-4; DENV 50141; DENV 50204; BS EN55022 (with European compliance option); BS EN61000-6-2; BS EN50081-2

Symmetry.....1 to 6000 CPR: 180° (±18°) electrical at 100 kHz output
 6001 to 20,480 CPR: 180° (±36°) electrical

Quad Phasing.....1 to 6000 CPR: 90° (±22.5°) electrical at 100 kHz output
 6001 to 20,480 CPR: 90° (±36°) electrical

Min Edge Sep.....1 to 6000 CPR: 67.5° electrical at 100 kHz output
 6001 to 20,480 CPR: 54° electrical
 >20,480 CPR: 50° electrical

Rise Time.....Less than 1 microsecond

Accuracy.....Instrument and Quadrature Error: For 200 to 1999 CPR, 0.017° mechanical (1.0 arc minutes) from one cycle to any other cycle. For 2000 to 3000 CPR, 0.01° mechanical (0.6 arc minutes) from one cycle to any other cycle. Interpolation error (units > 3000 CPR only) within 0.005° mechanical. (Total Optical Encoder Error = Instrument + Quadrature + Interpolation)

Mechanical

Max Shaft Speed.....8000 RPM. Higher shaft speeds may be achievable, contact Customer Service.

Shaft Size0.250", 0.375", or 10 mm

Shaft RotationBi-directional

Radial Shaft Load...80 lb max. Rated load of 20 to 40 lb for bearing life of 1.5×10^9 revolutions

Axial Shaft Load80 lb max. Rated load of 20 to 40 lb for bearing life of 1.5×10^9 revolutions

Starting Torque1.0 oz-in typical with IP64 seal or no seal
 3.0 oz-in typical with IP66 shaft seal
 7.0 oz-in typical with IP67 shaft seal

Moment of Inertia 5.2×10^{-4} oz-in-sec²

Max Acceleration..... 1×10^5 rad/sec²

Connector Type6-, 7-, and 10-pin MS Style, 5- or 8-pin M12 (12 mm), 9-pin D-subminiature, or gland with 24 inches of cable (foil and braid shield, 24 AWG conductors), 10-pin Bayonet

Housing.....Black non-corrosive finish

Bearings.....Precision ABEC ball bearings

Mounting.....Various flange or servo mounts

Weight.....11 oz typical

Environmental

Operating Temp0° to 70° C for standard models
 0° to 100° C for high temperature option
 (0° to 85° C for certain resolutions, see CPR Options.)

Storage Temp-25° to +85° C

Humidity98% RH non-condensing

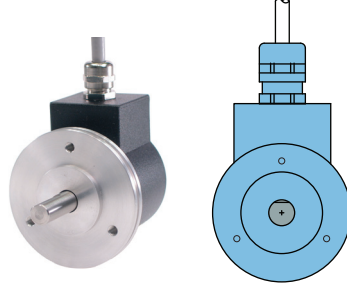
Vibration.....20 g @ 58 to 500 Hz

Shock.....75 g @ 11 ms duration

Sealing.....IP50 standard; IP64, IP66 or IP67 optional

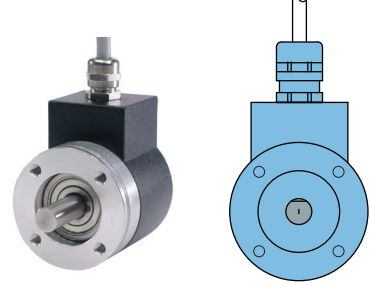
Model 702 Servo Mounts

Servo #1 (S)



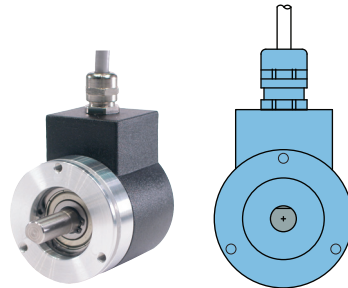
SERVO MOUNT #1
 4-40 UNC-2B 0.25 DEEP
 3X 120° Ø1.500 B.C.

Servo #2 (C)



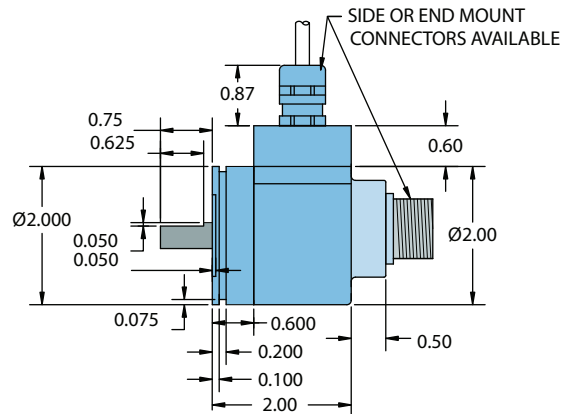
SERVO MOUNT #2
 10-32 UNF-2B 0.25 DEEP
 4X 90° Ø1.625 B.C.

Servo #3 (P)



SERVO MOUNT #3
 6-32 UNC-2B 0.25 DEEP
 3X 120° Ø1.750 B.C.

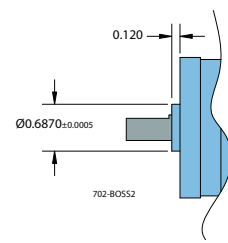
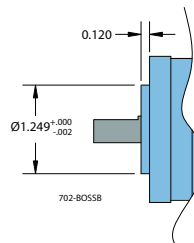
Body For Servo Mounts #1, #2, #3



Optional Pilots For Flange And Servo Mounts

(G, T, D, R)

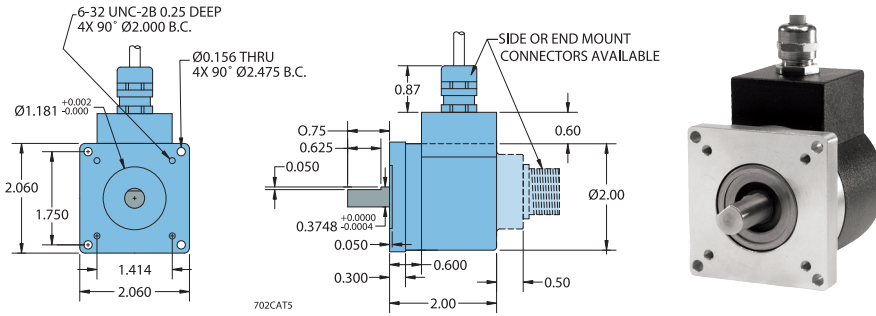
(L, U, E, Q)



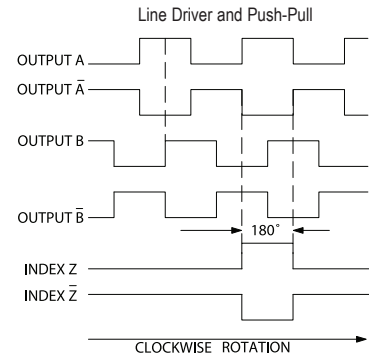
All dimensions are in inches with a tolerance of ±0.005" or ±0.01" unless otherwise specified

Model 702 Shaft

Model 702 Flange Mount (F)

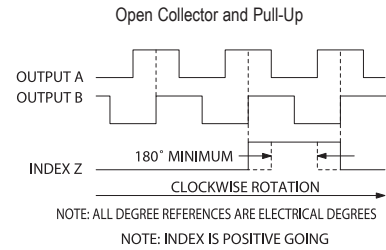
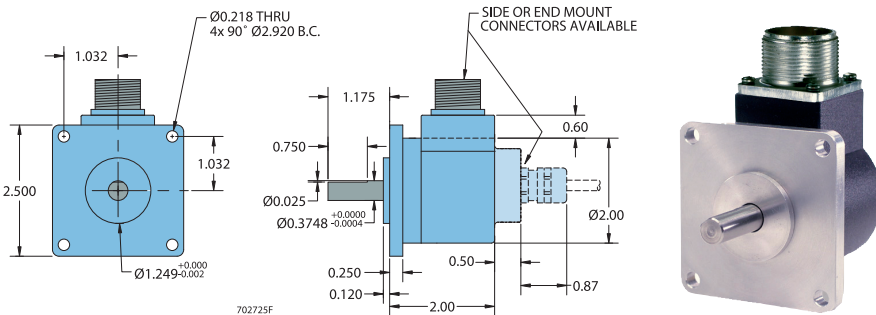


Waveform Diagrams

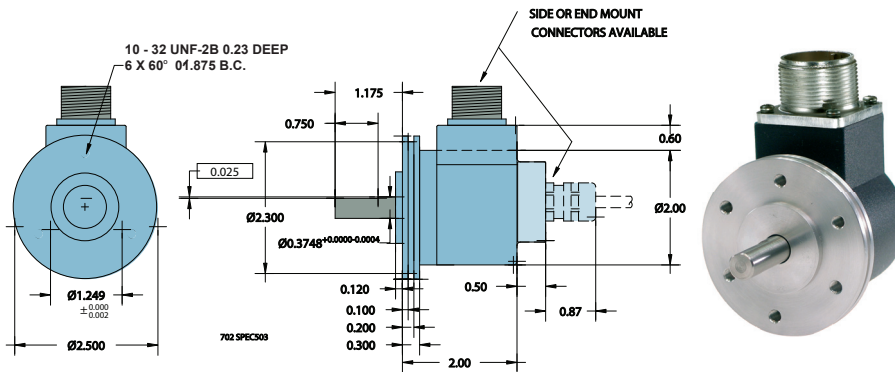


NOTE: ALL DEGREE REFERENCES ARE ELECTRICAL DEGREES
NOTE: PUSH-PULL OUTPUT DOES NOT INCLUDE COMPLIMENTARY CHANNELS

Model 702 With 2.5" Flange Mount (K)



Model 702 With 2.5" Servo Mount (J)



All dimensions are in inches with a tolerance of ±0.005" or ±0.01" unless otherwise specified

Wiring Table

Function	Gland Cable Wire Color	5-pin M12 ²	8-pin M12 ²	10-pin MS	7-pin MS HV,H5	7-pin MS PU, PP, OC, P5	6-pin MS PU, PP, OC, P5	9-pin D-sub	10-pin Bayonet
Com	Black	3	7	F	F	F	A, F	9	F
+VDC	Red	1	2	D	D	D	B	1	D
A	White	4	1	A	A	A	D	2	A
A'	Brown	---	3	H	C	---	---	3	H
B	Blue	2	4	B	B	B	E	4	B
B'	Violet	---	5	I	E	---	---	5	J
Z	Orange	5	6	C	---	C	C	6	C
Z'	Yellow	---	8	J	---	---	---	7	K
Case	Green	---	---	G	G	G	---	8	G
Shield	Bare ¹	---	---	---	---	---	---	---	---

¹CE Option: Cable shield (bare wire) is connected to internal case
²CE Option: Read Technical Bulletin TB111

Connector Pin-Outs

