



<h2>UV - Photodetector with integrated amplifier</h2>	<p>JIC 127 C JIC 128 C JIC 129 C</p>
---	---

- characteristics :**
- ◆ integrated UV-C filter
 - ◆ spectral range 210 ... 280 nm
 - ◆ active area 0,055 mm²
 - ◆ responsivity, decadic staggering 0,8/8/80 mV/nW
 - ◆ extra sensor pin for external adjustment of gain and bandwidth
 - ◆ single supply voltage
 - ◆ sensor assembly isolated to ground
 - ◆ hermetically welded TO5-metal/glass package
 - ◆ components are in conformity with RoHS and WEEE

- applications :**
- ◆ selective UV-measurement
 - ◆ control of sterilization lamps
 - ◆ flamedetection and flamecontrol
 - ◆ control of irradiancy in varnish and adhesive hardening

absolute maximum ratings:

supply voltage	+5,5	V
working temperature range	-25 °C ... +85	°C
storage temperature range	-40 °C ... +100	°C
welding temperature (5s)	300	°C

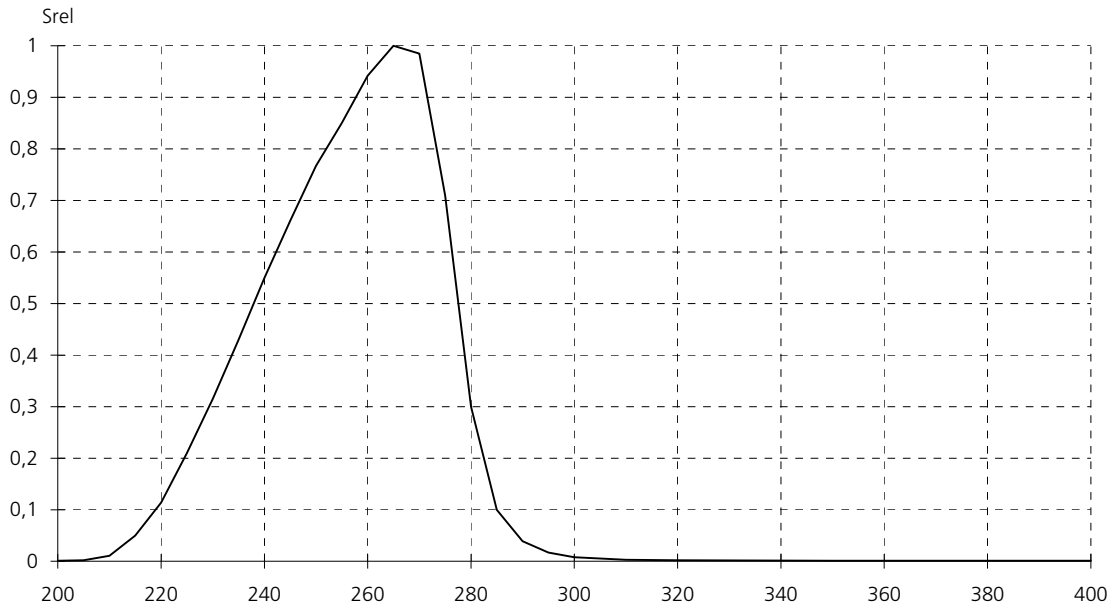
technical data :

common test conditions, as not otherwise specified: T_A = 25 °C, V_S = +5 V
typ. values, maximum values in brackets

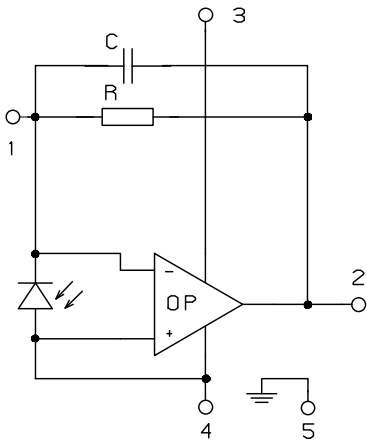
parameter	test condition	JIC127C	JIC128C	JIC129C	unit
feedback resistor		10	100	1.000	MΩ
dark offset voltage	E = 0 lx	± 1	± 2	± 3	mV
noise voltage	B = 1 kHz	1			mV _{rms}
max. spectral responsivity	λ = 254 nm	0,6	6	60	mV/nW
risetime		20	100	700	μs
bandwidth	- 3 dB	15	3	0,5	kHz
saturation voltage	R _L = 2 kΩ	+ 4,95 (+ 4,8)			V
short current		± 50			mA
supply voltage		+ 2,7...+ 5			V
current consumption		750 (1100)			μA

JIC 127 C, 128 C, 129 C

relative spectral responsivity

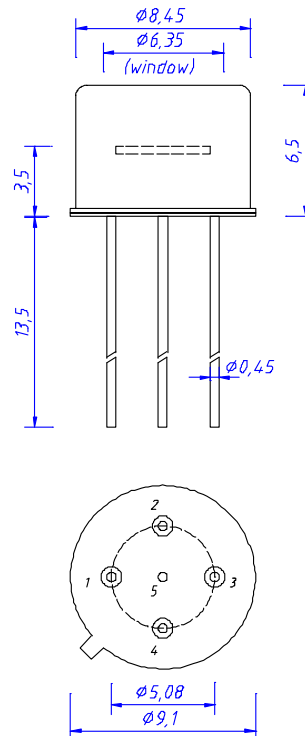


pin configuration



- 1 R_f
- 2 Out
- 3 V_s
- 4 GND
- 5 Case

package dimension



application hints:

- If an external resistor for reduction of gain is used, please make sure that length of connectors is as short as possible to reduce noise and capacitive interference.
- If internally adjusted gain is used only, please cut pin „1“.