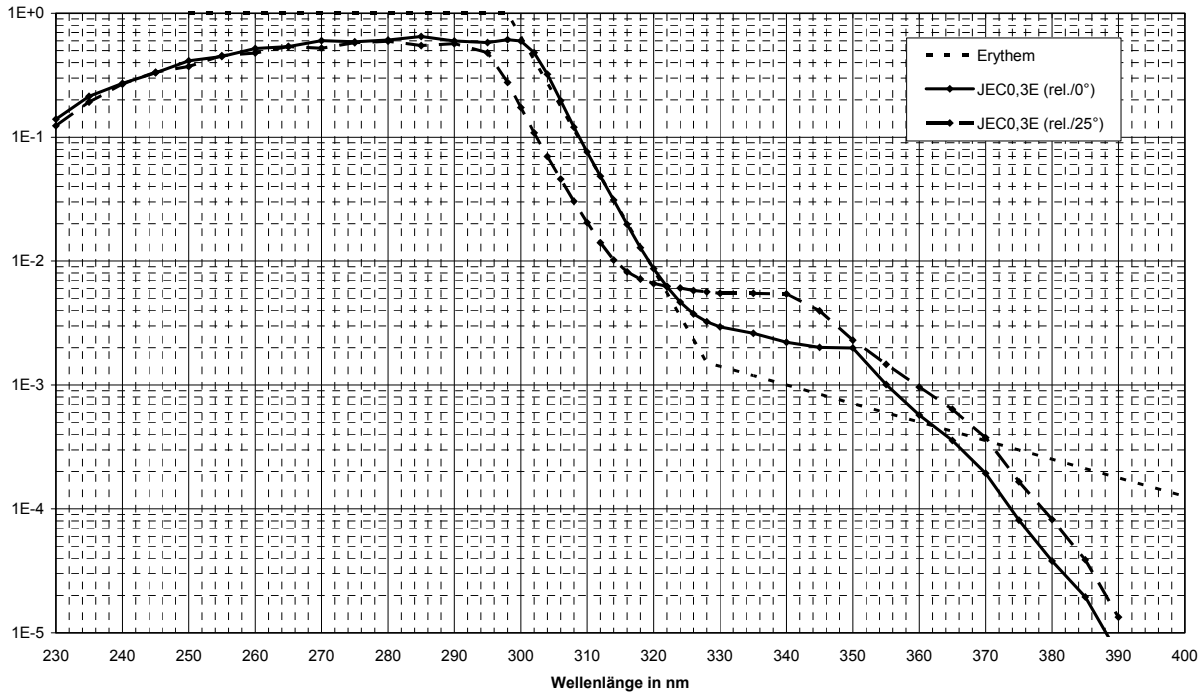
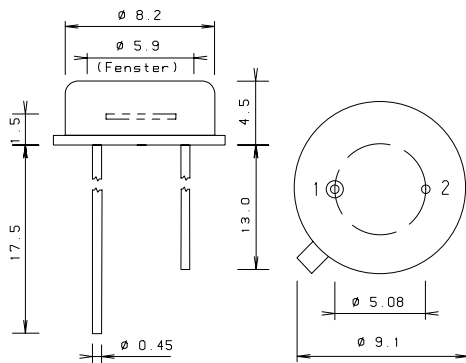


relative spectrale responsivity

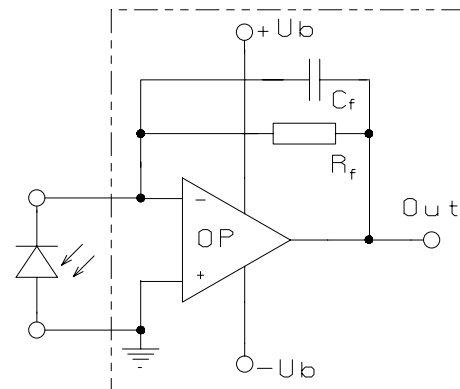


package dimension



- 1 Kathode
- 2 Anode & Case

application example



The application example shows a typical electrical application circuit.

R_f determines responsivity of the circuit, typical values are 100 MOhm to 1 GOhm.

C_f works as compensation of junction capacity of the photodiode and input capacity of the OP-amplifier.

Exact value of C_f depends on R_f , used OP-Amp as well as the parasitic capacities of the electrical circuit, typical value is 1 pF at minimum. For static measurements (UVI) C_f can be chosen much higher (1nF), so an additional effective suppression of noise of the amplifier can be achieved.

