

# e2v

## MiCS-2610 O<sub>3</sub> Sensor

This datasheet describes the use of the MiCS-2610 in ozone detection applications. The package and the mode of operation described in this document target the detection of the oxidising gas O<sub>3</sub> in indoor or outdoor environments. Ozone is a hazardous gas, which can cause respiratory problems at concentrations above 100 ppb.

### FEATURES

- Low heater current
- Wide detection range
- High sensitivity
- Fast thermal response
- Miniature dimensions
- High resistance to shocks and vibrations

### IMPORTANT PRECAUTIONS

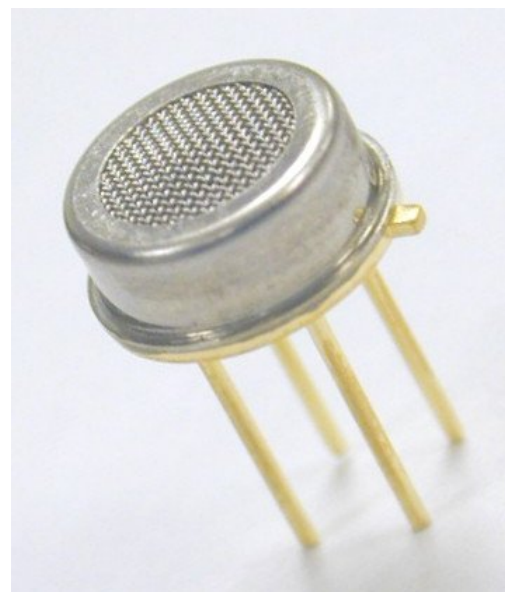
Read the following instructions carefully before using the MiCS-2610 sensor described in this document to avoid erroneous readings and to prevent the device from permanent damage.

- The sensor must not be wave soldered without protection, or exposed to high concentrations of organic solvents, ammonia, or silicone vapours, to avoid poisoning the sensitive layer.
- Heating powers above the maximum rating of 95 mW can destroy the sensor due to overheating.
- After exposing the sensor to high concentrations of O<sub>3</sub>, make sure the sensor is given enough time to recover before taking new measurements.
- For any additional questions, email [enquiries@e2v.com](mailto:enquiries@e2v.com) or telephone +44 (0)1245 493493.

### OPERATING MODE

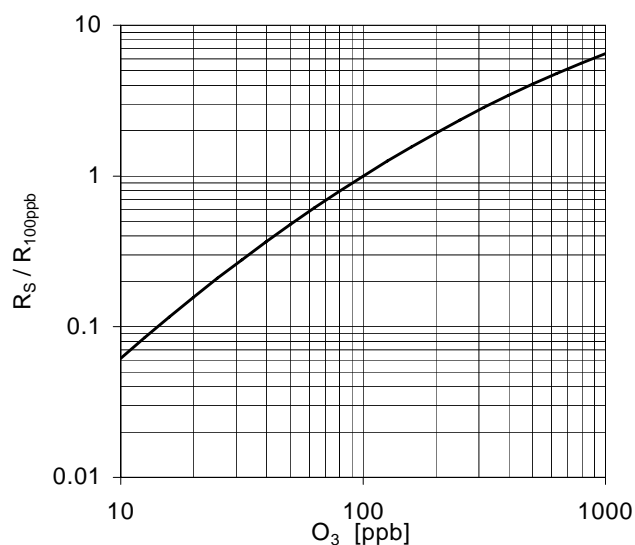
The recommended mode of operation is a constant voltage mode. A heater power of P<sub>H</sub> = 80 mW is applied. This causes the temperature of the sensing resistor (R<sub>S</sub>) to reach about 430 °C.

Detection of the O<sub>3</sub> concentration is achieved by measuring the sensing resistor R<sub>S</sub> during operation.



### SENSOR RESPONSE

The sensor response to O<sub>3</sub> in air is represented in Fig. 1. The sensor resistance R<sub>S</sub> is normalised to the resistance



under 100 ppb of O<sub>3</sub> (R<sub>100ppb</sub>).

**Fig. 1: R<sub>S</sub>/R<sub>0</sub> as a function of gas concentration at 50% RH and 25 °C.**

Whilst e2v technologies has taken care to ensure the accuracy of the information contained herein it accepts no responsibility for the consequences of any use thereof and also reserves the right to change the specification of goods without notice. e2v technologies accepts no liability beyond the set out in its standard conditions of sale in respect of infringement of third party patents arising from the use of tubes or other devices in accordance with information contained herein.

e2v technologies (uk) limited, Waterhouse Lane, Chelmsford, Essex CM1 2QU United Kingdom Telephone: +44 (0)1245 493493 Facsimile: +44 (0)1245 492492

e-mail: [enquiries@e2v.com](mailto:enquiries@e2v.com) Internet: [www.e2v.com](http://www.e2v.com) Holding Company: e2v technologies plc

e2v technologies inc. 4 Westchester Plaza, PO Box 1482, Elmsford, NY10523-1482 USA Telephone: (914) 592-6050 Facsimile: (914) 592-5148 e-mail: [enquiries@e2vtechnologies.us](mailto:enquiries@e2vtechnologies.us)

SUNSTAR自动化 <http://www.sensor-ic.com/> TEL: 0755-83376489 FAX:0755-83376182 E-MAIL: szss20@163.com

© e2v technologies (uk) limited 2008

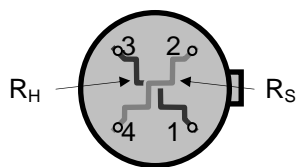
A1A-MiCS-2610 Version 2, July 2008

104168

## MEASUREMENT CIRCUIT

Fig. 2 shows the pin connections of the MiCS-2610 ozone sensor. A simple circuit to measure the O<sub>3</sub> concentration is proposed in Fig. 3. The heating voltage V<sub>H</sub> is applied to pins 3 and 1. A load resistor R<sub>L</sub> is connected in series with R<sub>S</sub> to convert the resistance R<sub>S</sub> to a voltage V<sub>S</sub> between pins 2 and 4. R<sub>S</sub> can then be calculated by the following expression:

$$R_S = R_L / (V_{CC} - V_S) \times V_S$$



Pin	Connection
1	Heater ground
2	Sensor pin
3	Heater power
4	Sensor pin

Fig. 2: Equivalent circuit of MiCS-2610 (top view)

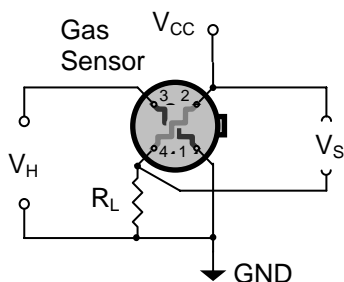


Fig. 3: Measurement circuit for O<sub>3</sub> detection

## ELECTRICAL SPECIFICATIONS

### Maximum Ratings

Rating	Symbol	Value/Range	Unit
Maximum sensor supply voltage	V <sub>CC</sub>	5	V
Maximum heater power dissipation (see note 1)	P <sub>H</sub>	95	mW
Maximum sensor power dissipation	P <sub>S</sub>	1	mW
Relative humidity range	R <sub>H</sub>	5 – 95	%RH
Ambient operating temperature	T <sub>amb</sub>	-40 – 70	°C
Storage temperature range (see note 2)	T <sub>sto</sub>	-40 – 50	°C
Storage humidity range	RH <sub>sto</sub>	5 – 95	%RH

### Operating Conditions

Parameter	Symbol	Typ	Min	Max	Unit
Heating power (see note 3)	P <sub>H</sub>	80	66	95	mW
Heating voltage	V <sub>H</sub>	2.35	-	-	V
Heating current	I <sub>H</sub>	34	-	-	mA
Heating resistance (see note 4)	R <sub>H</sub>	68	58	78	Ω

### Sensitivity Characteristics

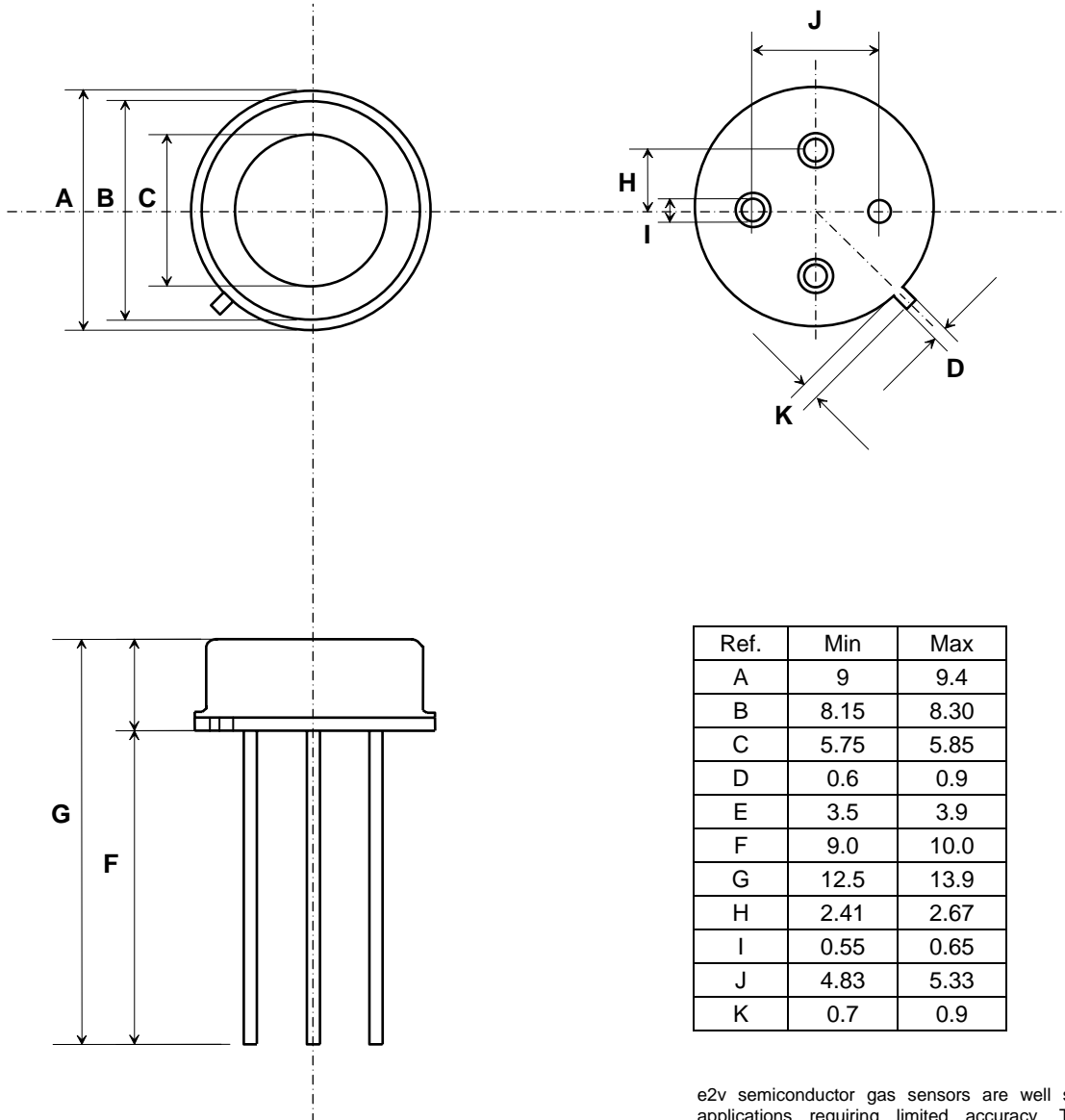
Characteristic	Symbol	Typ	Min	Max	Unit
O <sub>3</sub> detection range	FS		10	1000	ppb
Sensing resistance in air	R <sub>0</sub>	11	3	60	kΩ
Sensitivity factor (see note 5)	S <sub>R</sub>	2	1.5	4	-

### Notes:

1. Heating powers above 95 mW can cause permanent damage to the sensor due to overheating.
2. Storage of parts in original shipping package.
3. To ensure a correct operating temperature, the heater voltage should be adjusted so that the resulting heating power equals 80 mW. Lower heating power will reduce the sensitivity and increase the response time. Heating powers above 95 mW can cause permanent damage to the sensor due to overheating.
4. Heating resistor values from sensors out of production range between 58 and 78 Ω measured at V<sub>H</sub> = 2.35 V. Due to material properties of the heating resistor its value increases during operating life.
5. Sensitivity factor S<sub>R</sub> is defined as R<sub>S</sub> at 100 ppb of O<sub>3</sub> divided by R<sub>S</sub> at 50 ppb of O<sub>3</sub>. Test conditions are 50 ± 5% RH and 25 ± 2 °C.

## PACKAGE OUTLINE

(All dimensions nominal and in millimetres)



Ref.	Min	Max
A	9	9.4
B	8.15	8.30
C	5.75	5.85
D	0.6	0.9
E	3.5	3.9
F	9.0	10.0
G	12.5	13.9
H	2.41	2.67
I	0.55	0.65
J	4.83	5.33
K	0.7	0.9

e2v semiconductor gas sensors are well suited for leak detection and applications requiring limited accuracy. Their use for absolute gas concentration detection is more complicated because they typically require temperature compensation, calibration, and sometimes as well, humidity compensation. Their base resistance in clean air and their sensitivity can vary overtime depending on the environment they are in. This effect must be taken into account for any application development (281-4.0).