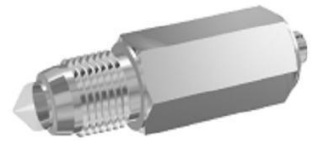


# Installation Instructions for POS Series Optical Liquid Level Sensors



## GENERAL DESCRIPTION

The POS liquid level sensor provides single point level detection via an NPN or PNP output.

When the sensor output is closed, the output sinks or sources up to a maximum of 200mA allowing incandescent indicators, sounder or relays to be driven directly by the device.

M12 and cable connections are available as well as normally open (n.o.) and normally closed (n.c.) versions.

## CLEANING

Proper fluids should be selected based on type of contamination to be removed. SST Sensing recommends freon and alcohol based solvents.

## Liquid Media Compatibility

Before use check that the fluid in which you wish to use these devices is compatible with Simax crystal glass.

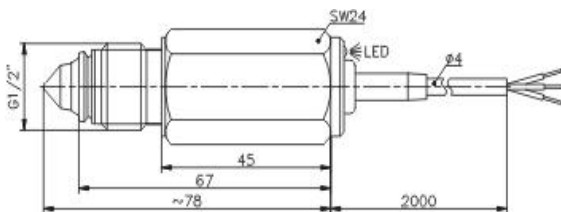
## ELECTRICAL & ENVIRONMENTAL SPECIFICATIONS

Sensor Family	POS187	POS287
Supply Voltage (Vs)	12 to 28Vdc	
Supply Current (Is)	< 25mA	
Output Sink/ Source Current (Io)	200mA max.	
Operating & Storage Temperature	-25 to 100 °C (temperature of medium)	-40 to 140 °C (temperature of medium)
Protection Standard	IP68 (cable version) / IP67 (connector version)	

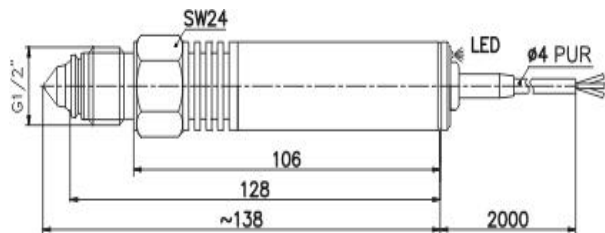
## MECHANICAL DETAILS

Sensor Family	POS187	POS287
Cable Type (POSXXX-3XX)	PUR 3 x 0.25mm <sup>2</sup> , 2m long	
Cable Type (POSXXX-4XX)	M12 Connector	
Dimensions	See drawings	
Thread	G1/2+	
Material	Stainless Steel housing/ Simax crystal glass sensing tip	

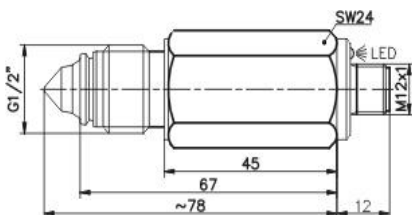
POS187-3XX



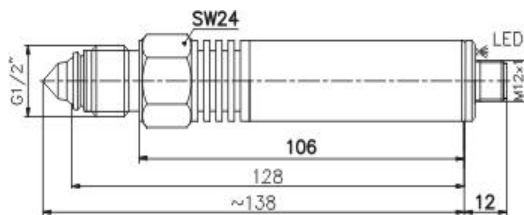
POS287-3XX



POS187-4XX



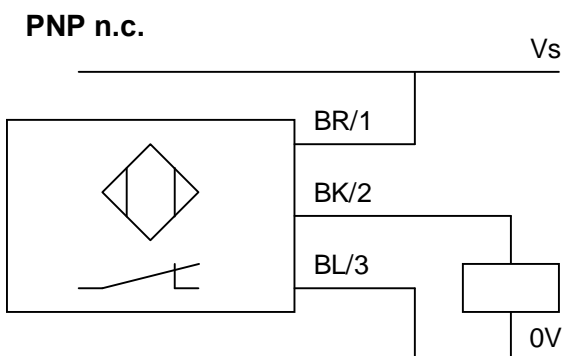
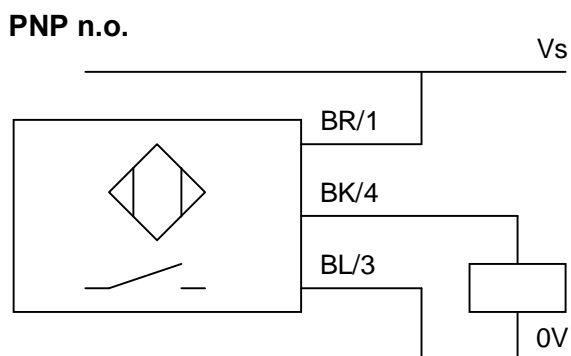
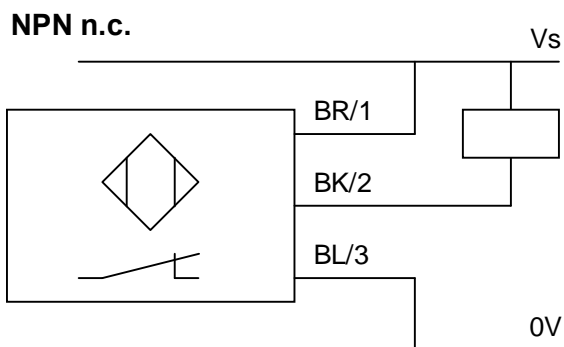
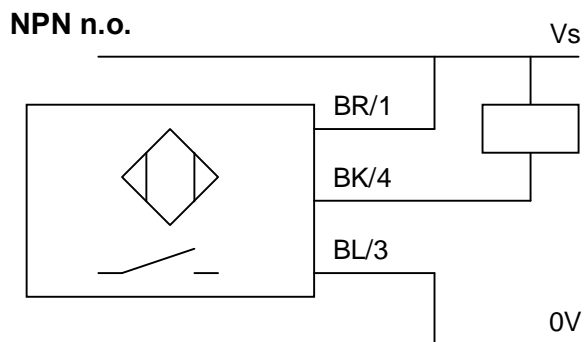
POS287-4XX



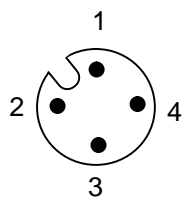
## OUTPUT TYPES

In order to suit any application, these sensors have been designed with various output circuit configurations. They are identified by a 2-digit code at the end of the part number and are as follows:

Output Configuration	Part Number
NPN n.o.	POSXXX-X11
NPN n.c.	POSXXX-X12
PNP n.o.	POSXXX-X13
PNP n.c.	POSXXX-X14



BR = Brown, BK = Black, BL = Blue. Numbers indicate connector pin number. Note that normally open and closed Conditions refer to the sensor being in air.



Brad Harrison M12 Connector pin designations (face view)