

Model 31 Mid-Range Precision Miniature Load Cell

Order Code AL311

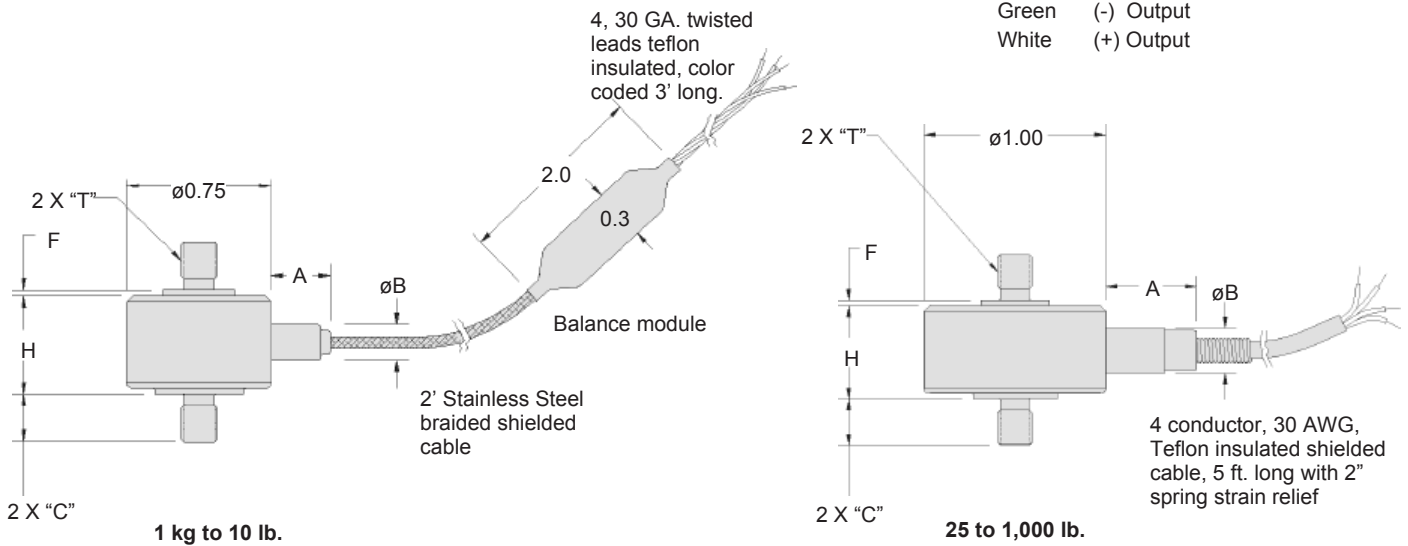
- 1000 g to 1,000 lb.
- mV/V Output
- Stainless Steel
- Miniature Design



Wiring Code

Cable/ Unamplified

- Red (+) Excitation
- Black (-) Excitation
- Green (-) Output
- White (+) Output



Dimensions

Ranges (lb.)	T	H (in.)	C (in.)	F (in.)	A (in.)	B (in.)
1000 g; 5; 10 lb.	#6-32 UNC	0.45	0.25	0.05	0.31	0.19
25; 50; 100 lb.	#10-32 UNF	0.52	0.25	0.03	0.50	0.25
250; 500; 1000 lb.	1/4-28 UNF	0.52	0.38	0.03	0.50	0.25

Performance

- Load Ranges.....1000 g; 5; 10; 25; 50; 100; 250; 500; 1000 lb.
- Linearity
 - 1000 g to 250 lb.....+/- 0.15% Full Scale
 - 500 to 1,000 lb.....+/- 0.2% Full Scale
- Hysteresis
 - 1000 g to 250 lb.....+/- 0.15% Full Scale
 - 500 to 1,000 lb.....+/- 0.2% Full Scale
- Non-Repeatability
 - 1000 g.....+/- 0.1% Full Scale
 - 5 to 1,000 lb.....+/- 0.05% Full Scale
- Tolerance on Output
 - 1000 g.....1.5 mV/V (nominal)
 - 5 to 1,000 lb.....2 mV/V
- Operation.....Tension/ Compression (note 3)
- Resolution.....Infinite

Model 31 Std

Environmental

Temperature, Operating.....	-65° to 250° F
Temperature, Compensated.....	60° to 160° F
Storage Temperature.....	-100° to 300° F
Temperature, Effect	
Zero.....	0.005% Full Scale/° F
Span.....	0.005% Full Scale/° F

Electrical

Strain Gage Type.....	Bonded Foil
Excitation (calibration)	
1 kg to 10 lb.....	5 VDC
25 to 1000 lb.....	10VDC
Insulation Resistance.....	5000 Megohms @ 50 VDC
Bridge Resistance.....	350 Ohms
Zero Balance.....	1% max.
Electrical Termination (std).....	Teflon Cable (5 ft.)

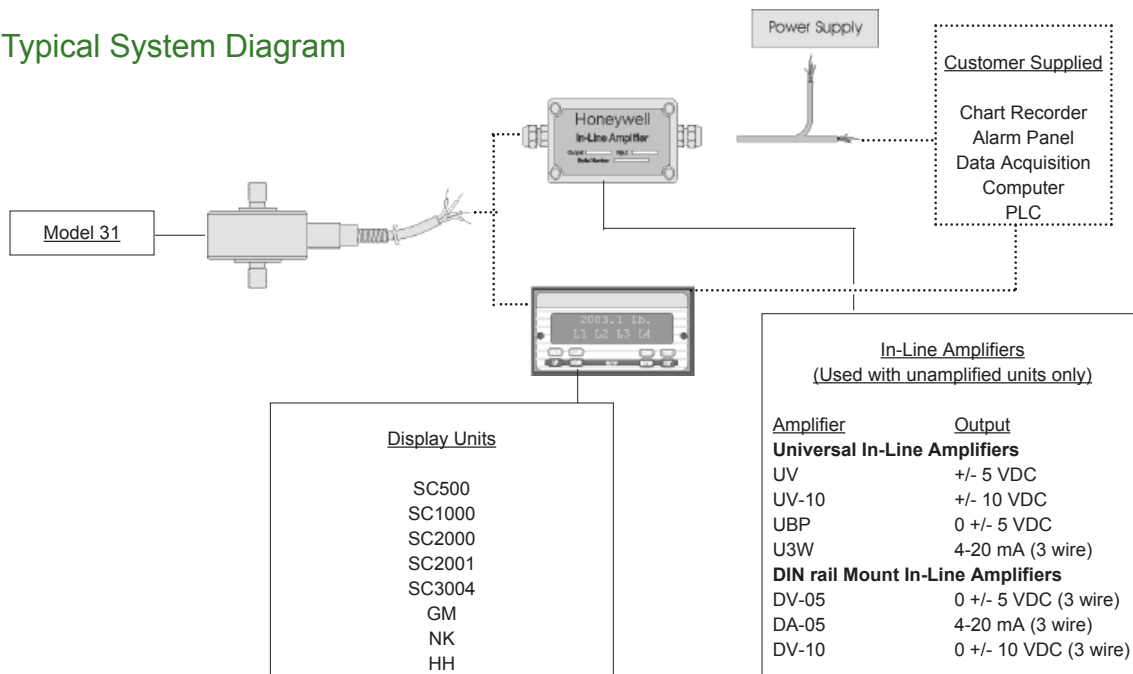
Mechanical

Maximum Allowable Load.....	150% F.S. (note 1)
Weight.....	See table
Material.....	17-4 PH Stainless Steel
Deflection Full Scale.....	See table
Natural Frequency.....	See table

Deflections and Ringing Frequencies

Capacity (lb.)	Deflection at Full Scale (in.)	Ringling Frequency (Hz)	Weight (grams)
1000 g to 10 lb.	0.001	3,000	21
25 to 100	0.001	10,000	63
250 to 1000	0.0015	12,000	80

Typical System Diagram



Range Codes

Range	Range Code
1000 g.	AR
5 lb.	AT
10 lb.	AV
25 lb.	BL
50 lb.	BN
100 lb.	BR
250 lb.	CN
500 lb.	CP
1000 lb.	CV

Model 31 Std

Options

	Same Day Ship	Fast track manufacture	Build to Order
Load Range	1000 grams 5, 10, 25, 50, 100, 250, 500, 1000 lbs		
Temperature Compensation	1a. 60° to 160° F	1b. 30° to 130° F 1c. 0° to 185° F 1d. -20° to 130° F 1e. -20° to 200° F 1j. 0° to 50° C 1k. -20° to 85° C 1m. -25° to 110° C	1f. 70° to 250° F 1g. 70° to 325° F 1h. 70° to 400° F 1i. -65° to 250° F
Internal Amplifiers	2u. Unamplified, mV/V output		
Electrical Termination	6e. Integral cable: Teflon	6v. Phoenix connector on end of cable	6a. Bendix PTIH-10-6P - 6 pin (max. 250° F) (note 5) 6d. Microtec DR-4S-4H 4 pin 6f. Integral cable: PVC 6g. Integral cable: Neoprene (max. 180° F) 6h. Integral cable: Silicone 6i. Integral underwater cable (max. 180° F) 15d. Connector on end of cable
Special Calibration		9a. 10 point (5 up/5 down) 20% increments @ 20° C 9b. 20 point (10 up/10 down) 10% increments @ 20° C	
Special Calibration		30a. Compression only calibration, Positive in compression 30b. Tension and Compression calibration, Positive in tension 30c. Compression only calibration, Negative in compression	
Shock & Vibration		44a. Shock and vibration resistance	
Interfaces (note 4)		53e. Signature Calibration 53t. T.E.D.S. IEEE 1451.4 Module	

Supplied as standard

Notes

1. Allowable Maximum Loads- Maximum load to be applied without damage (note 2).
2. Without Damage- loading to this level will not cause excessive zero shift or performance degradation. The user must consider fatigue life for long term use and structural integrity. All structurally critical applications (overhead loading, etc.) should always be designed with safety redundant load paths.
3. Standard calibration for tension/ compression load cells is in tension only.
4. TEDS available with integral cable units only.
5. Availability varies with range.

Special Customer Requirements (Consult Factory)

OEM Labels
Radiation proof
Different cable lengths