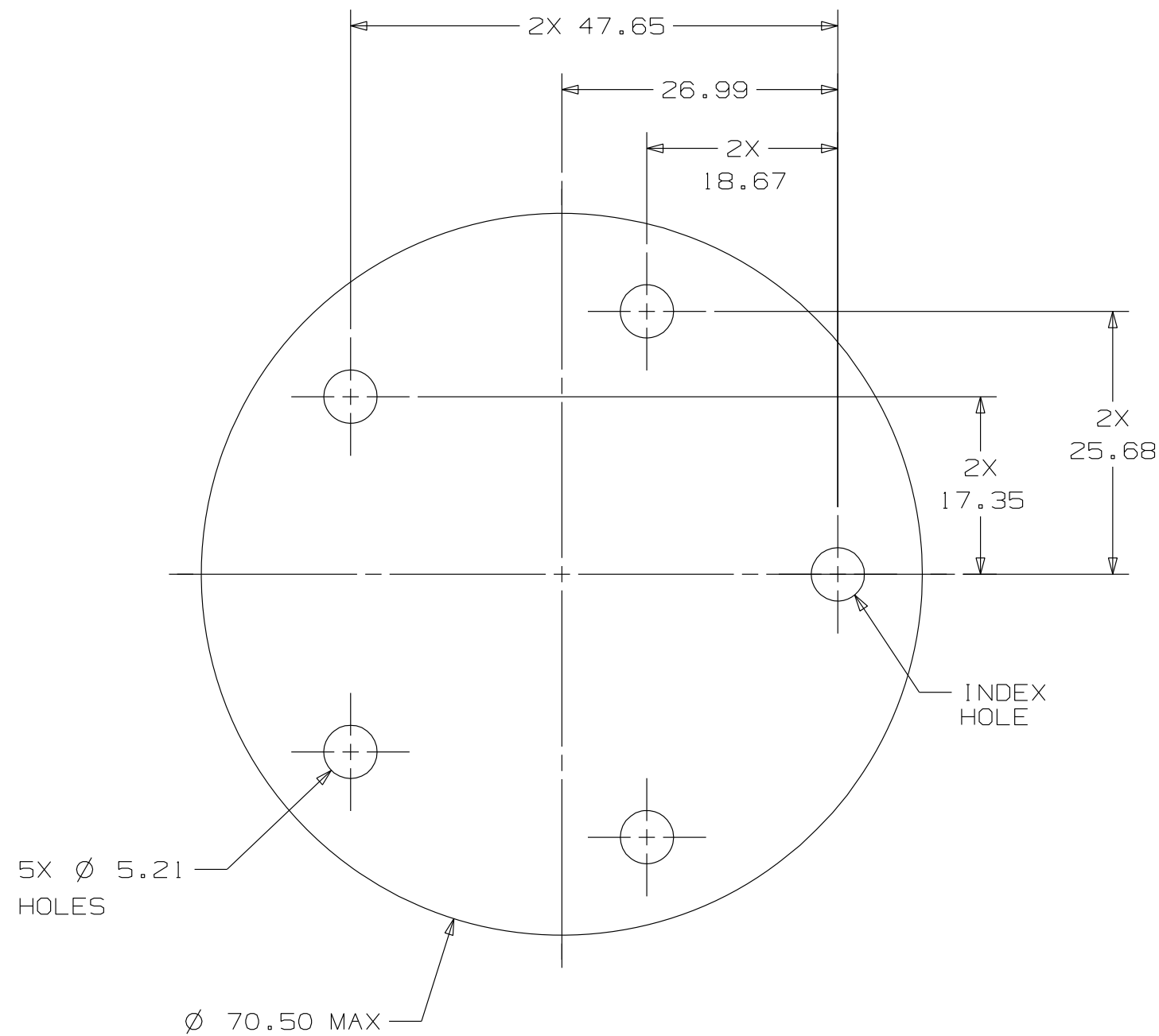
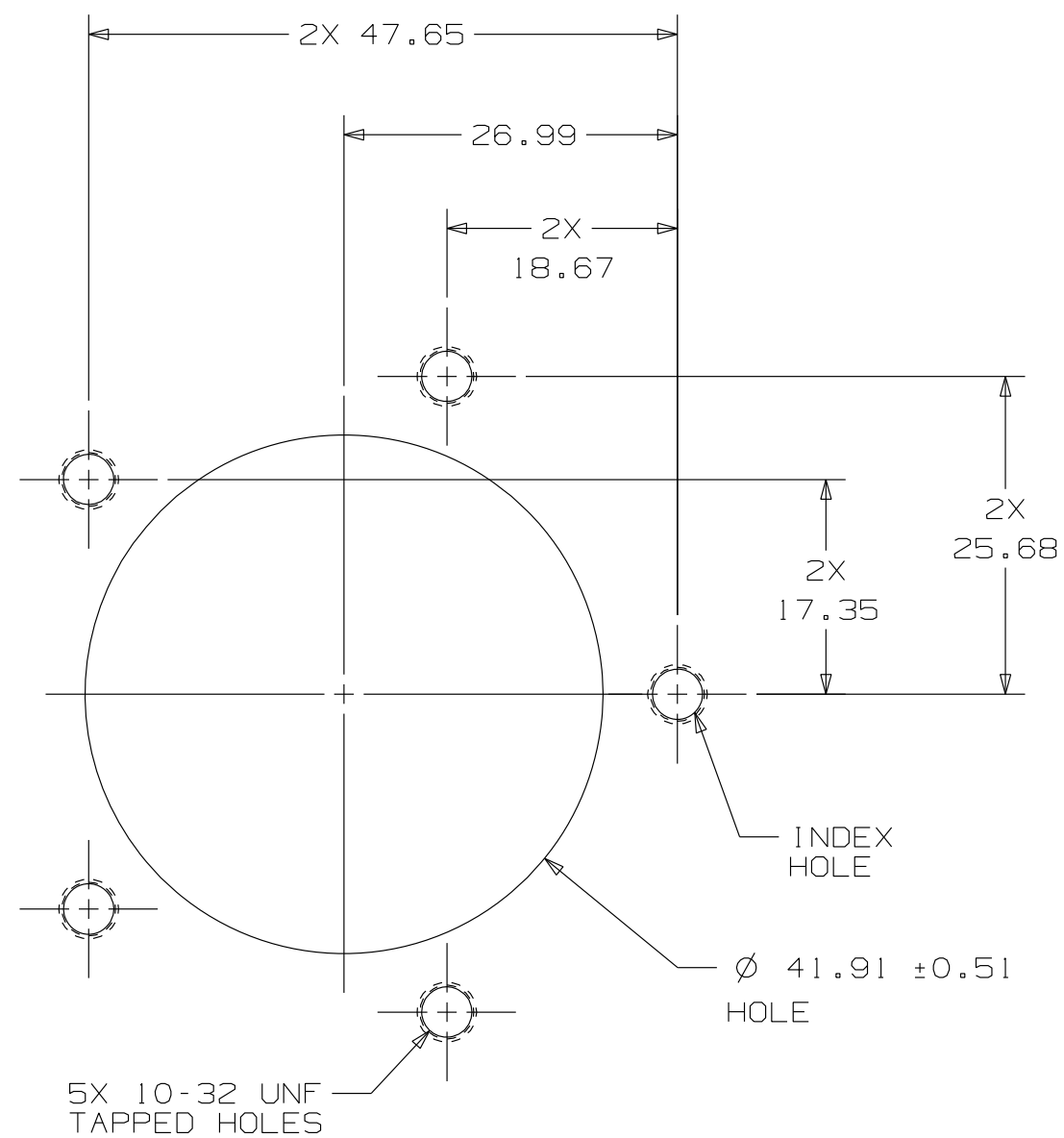


STANDARD SAE 5-BOLT HOLE PATTERN



SENDING UNIT FLANGE



TANK MOUNTING HOLE

TOLERANCES:  $\pm 0.13$  UNLESS OTHERWISE SPECIFIED

NOTE: ALL DIMENSIONS ARE IN mm UNLESS OTHERWISE SPECIFIED