

IT**International Technologies
Dr. Gambert GmbH**

Product Specification of:

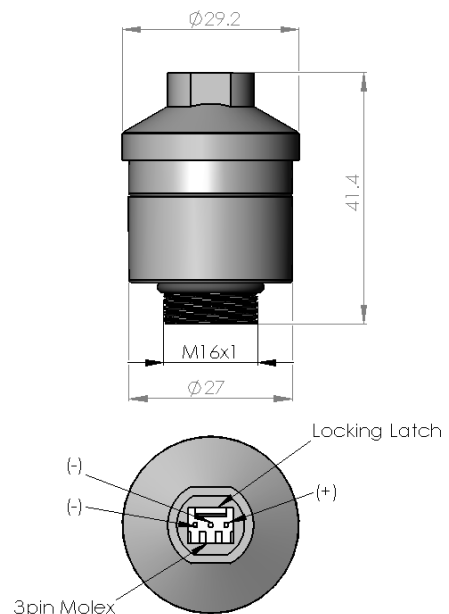
Industrial O₂-Sensor**Type: I - 01**

Part. No.: 48 00 14

Key Features: sensor contains acid electrolyte to withstand high CO₂ concentrations, shows high resistivity to acid gases and a short response time

All characteristics are based on conditions at 25°C, 50 % RH and 1013 hPa

Operating Principle:	galvanic fuel cell
Electrical Connector:	3-pin Molex
Measurement Range:	0.5 - 35 Vol. %
Nominal Sensor Life:	> 1, 200, 000 Vol. % h
Expected Operating Life:	6 years @ ambient air
Output Signal Delivery Condition:	10.5 - 17 mV @ dry ambient air
Output Signal Range:	5 - 17 mV @ dry ambient air
Response Time t ₉₀ :	< 5 sec
Linearity Error:	0 - 2 % oxygen: ± 0.1 % absolute 2.1 - 35 % oxygen: ± 0.5 % relative
Drift:	< 3 % per month
Operating Temperature:	0 - 50°C
Pressure Range:	750 - 1250 hPa
Influence of Humidity:	-0.03% rel. O ₂ reading / % RH
Recommended Load Resistor:	≥ 1 MOhm
Temperature Compensation:	NTC
Interferences:	< 20 ppm O ₂ response to: 100 Vol. % CO 100 Vol. % CO ₂ 3, 000 ppm NO, balance N ₂ 1, 000 ppm H ₂ , balance N ₂ 100 Vol. % C ₃ H ₈ 2, 000 ppm H ₂ S, balance N ₂ 500 ppm SO ₂ , balance N ₂ 1, 000 ppm Benzene, balance N ₂



Tolerance: ± 0.15 mm

Storage Conditions

Temperature Range:	maximum: - 15 - 60 °C recommended: 5 - 30 °C
Ambient Pressure:	750 - 1750 hPa
Humidity:	up to 100 % RH
Material in Contact with Media:	PA12, PVC, PPS, PTFE, Stainless Steel
Shelf Life:	less than 6 months recommended
Weight:	approximately 25 g
Warranty Period:	12 months
Housing Colour:	white

This data sheet is subject to change without prior notice!

[I-01 Rev. 03-05.doc]

page 1/1

IT Dr. Gambert GmbH, Hinter dem Chor 21, 23966 Wismar, GermanyTel.: +49 (0) 3841 22 00 50, Fax: +49 (0) 3841 22 00 522, sales@it-wismar.de, www.it-wismar.deSUNSTAR自动化 <http://www.sensor-ic.com/> TEL: 0755-83376489 FAX:0755-83376182 E-MAIL: szss20@163.com