

## Oxygen Sensor Specification

**MICROcel™ OX Miniature  
Oxygen Sensor**

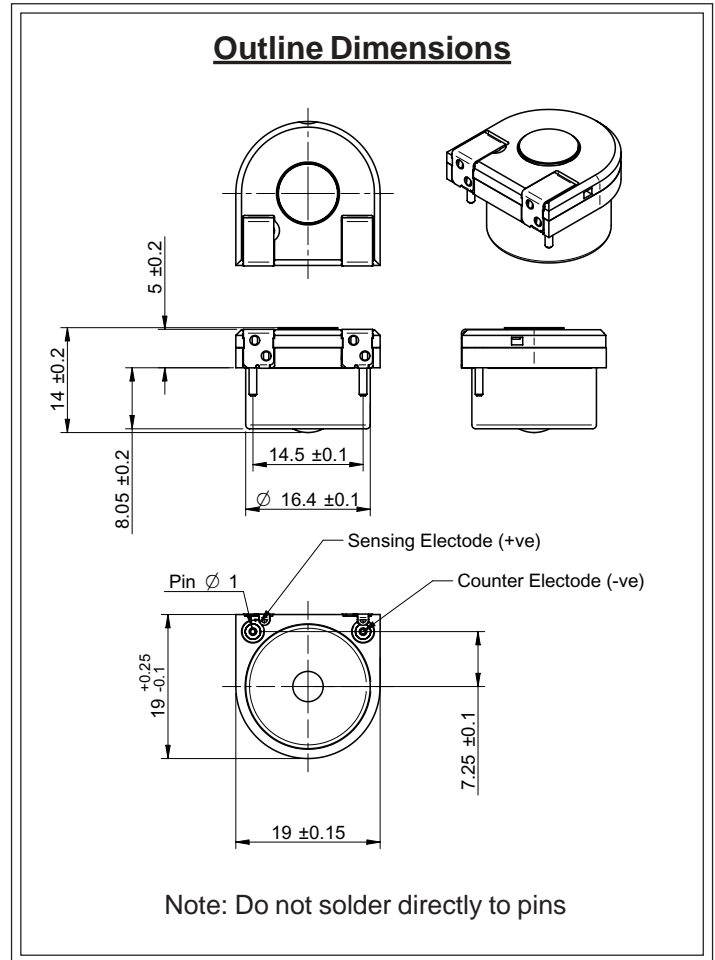
N.B. All performance data is based on conditions at 22°C,  
50%RH, and 1014mBar

**Performance Characteristics**

<b>Expected Operating Life</b>	2 Years in Air
<b>Range</b>	0-25% O <sub>2</sub>
<b>Maximum Overload</b>	30% O <sub>2</sub>
<b>Output Signal</b>	40-70µA in Air
<b>T<sub>90</sub> Response Time</b>	< 15 seconds (typically 3-4 seconds)
<b>Linearity</b>	$s = k \log_e 1/(1-c)$
<b>Temperature Range</b>	-20°C to +50°C
<b>Temperature Coefficient</b>	0.2% signal change/°C (see graph overleaf)
<b>Humidity (Intermediate) (Continuous)</b>	0-99% RH non-condensing 15-90% RH non-condensing
<b>Pressure Range</b>	Atmospheric ±10%
<b>Pressure Coefficient</b>	<0.02% signal/mBar
<b>Long Term Drift</b>	<10% signal loss/year
<b>Recommended Load Resistor</b>	<100 Ohms (See graph overleaf)

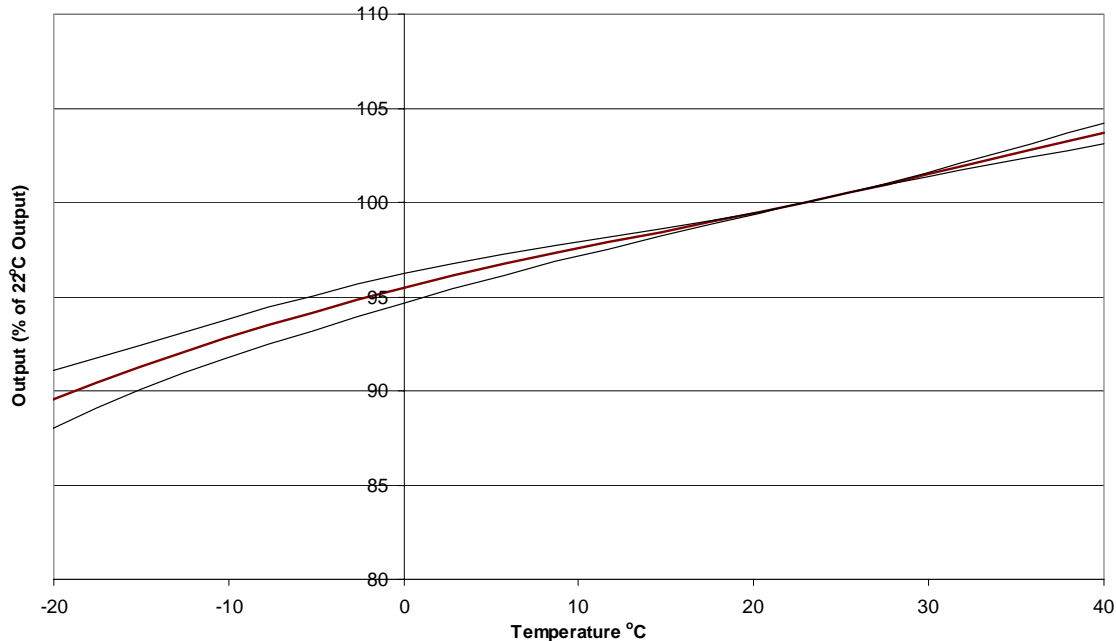
**Physical Characteristics**

<b>Weight</b>	8g approx.
<b>Position Sensitivity</b>	None
<b>Storage Life</b>	Six months in CTL packaging
<b>Recommended Storage Temperature</b>	0°C to 20°C
<b>Warranty Period</b>	24 months from date of despatch (This amounts to a variation of condition 6 of our standard terms and conditions which otherwise apply)

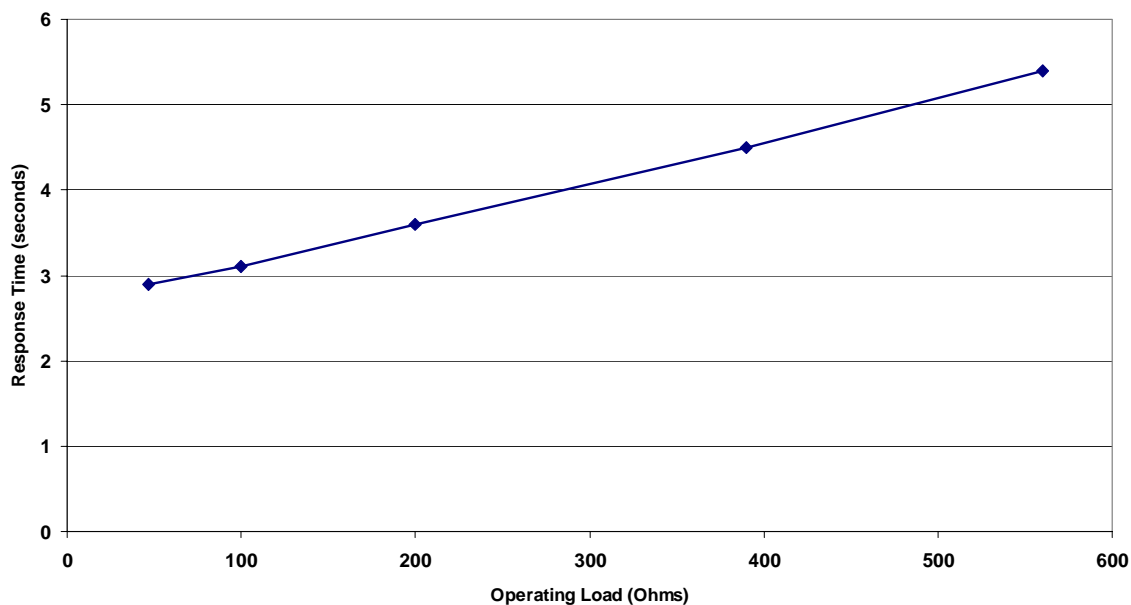
**Outline Dimensions**

**Oxygen Sensor Specification**

**MICROcel OX - Output vs Temperature**



**MICROcelOX - Response Time vs Operating Load**



Every effort has been made to ensure the accuracy of this document at the time of printing. In accordance with the company's policy of continued product improvement City Technology Limited reserves the right to make product changes without notice. No liability is accepted for any consequential losses, injury or damage resulting from the use of this document or from any omissions or errors herein. The data is given for guidance only. It does not constitute a specification or an offer for sale. The products are always subject to a programme of improvement and testing which may result in some changes in the characteristics quoted. As the products may be used by the client in circumstances beyond the knowledge and control of City Technology Limited, we cannot give any warranty as to the relevance of these particulars to an application. It is the clients' responsibility to carry out the necessary tests to determine the usefulness of the products and to ensure their safety of operation in a particular application. Performance characteristics on this data sheet outline the performance of newly supplied sensors. Output signal can drift below the lower limit over time.

