



Product Specification of:

Industrial ppm O₂-Sensor

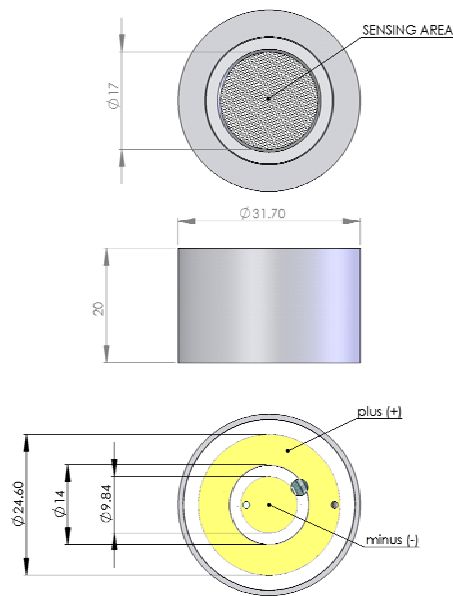
Type: P - 41

Part. No.: 48 01 13

Key Features: cell designed to detect trace amounts of oxygen

All characteristics are based on conditions at 25°C, 50 % RH and 1013 hPa

Electrical Connector:	2x slip-rings on PCB
Measurement Range:	1 – 10.000 ppm O ₂
Expected Operating Life:	2 years, depending on application
Output Signal:	400 µA ± 120 µA @ ambient air
Response Times t ₉₀ :	< 20 s on 0 - 10.000 ppm range
(immediate replacement	< 60 s on 0 - 1.000 ppm range
after unpacking)	< 90 s from 1.000 ppm to 100 ppm
	< 120 s from 100 ppm to 10 ppm
Operating Temperatures:	10°C - 45°C
Temperature Compensation:	none
Temperature Coefficient:	on inquiry



Storage Conditions

Temperature Range:	-20 – 50 °C maximum 5 – 25 °C recommended
Ambient Pressure:	750 - 1250 hPa
Humidity:	up to 100 % RH
Shelf Life:	3 months
Weight:	approximately 30 g
Housing Colour:	grey
Package:	packaged in nitrogen bag contains oxygen absorbing material

This data sheet is subject to change without prior notice !

[P-41 Rev01-06.doc]

page 1 / 1

IT Dr. Gambert GmbH, Hinter dem Chor 21, 23966 Wismar, Germany

Tel.: +49 (0) 3841 22 00 50, Fax: +49 (0) 3841 22 00 522, sales@it-wismar.de, www.it-wismar.de

SUNSTAR自动化 <http://www.sensor-ic.com/> TEL: 0755-83376489 FAX:0755-83376182 E-MAIL: szss20@163.com