

R120LC RVDTS

直流差动电感式角位移传感器

SPECIALTIES



- 直流供电
- ±60° 量程



产品说明

R120LC是一款直流非接触式角位移传感器。
 该R120LC结合了一组印制电路线圈和导电绕流器，拥有设计专利，具有优越的性能和低廉的成本。
 它的数字电路具有很强的抗环境干扰能力，特别适合于大多数工业应用。
 该R120LC采用非接触式技术，不存在电位计遇到的磨损问题。

特点

- 工作温度范围宽
- 无限分辨率
- 理论上接近无线的使用寿命

应用

- 液压泵控制
- 旋转执行器反馈
- 节流阀控制杆位移反馈

性能参数

量程	±60°
输入电压(标称)	5 V(4.75~5.25V)
比例系数	0.125V/°
输出电压(最大)	0.5~4.5V
输入电流(最大)	21mA
输出电流(最大)	5 mA
输出阻抗	< 10
频率响应	200Hz(-3dB)
线性度误差	满量程输出±0.5%
重复性与迟滞	满量程输出0.1%
存储温度	-65 ~ 250 (-55 ~ 125)
工作温度	-13 ~ 185 (-25 ~ 85)
满度的温度系数	±0.03%/FS
导线	24 AWG, Teflon绝缘材料, 4线, 长度最短为12英寸

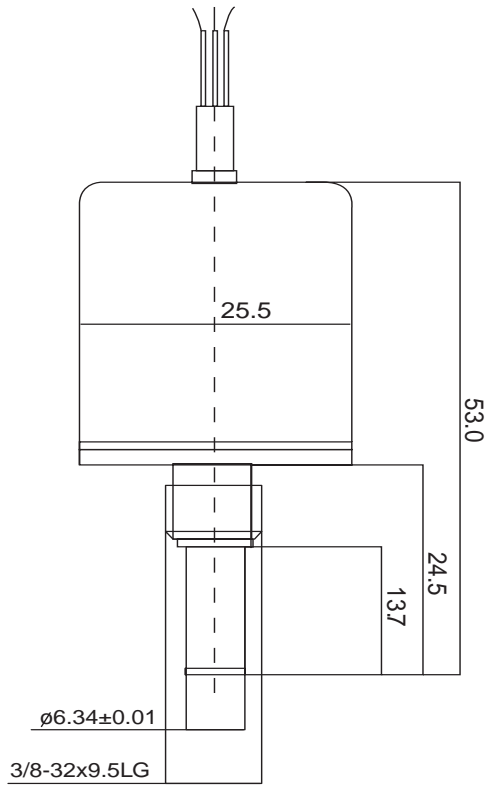
R30D RVDTs

SPECIALTIES

直流差动变压器式角位移传感器

产品尺寸

英寸(毫米)



联系方式

The information in this sheet has been carefully reviewed and is believed to be accurate; however, no responsibility is assumed for inaccuracies. Furthermore, this information does not convey to the purchaser of such devices any license under the patent rights to the manufacturer. Measurement Specialties, Inc. reserves the right to make changes without further notice to any product herein. Measurement Specialties, Inc. makes no warranty, representation or guarantee regarding the suitability of its product for any particular purpose, nor does Measurement Specialties, Inc. assume any liability arising out of the application or use of any product or circuit and specifically disclaims any and all liability, including without limitation consequential or incidental damages. Typical parameters can and do vary in different applications. All operating parameters must be validated for each customer application by customer's technical experts. Measurement Specialties, Inc. does not convey any license under its patent rights nor the rights of others.