

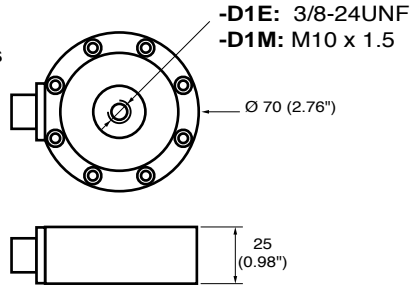
ELKM Series Load Cells



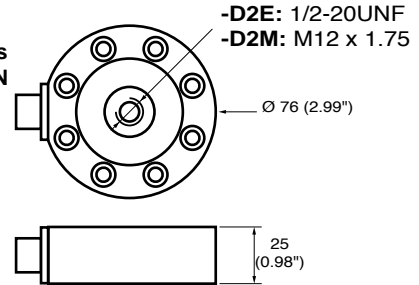
Industrial / Flat Disc - Stiff Shear Design

ELKM Series Bodies

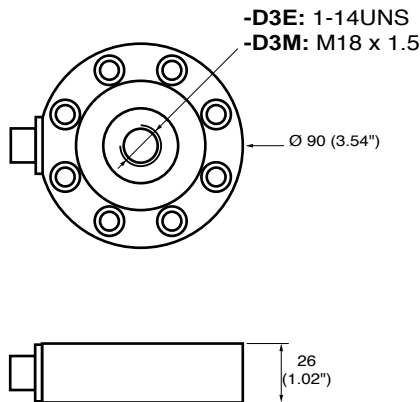
ELKM-D1
500 to 1,000 Lbs
2500 to 5,000 N



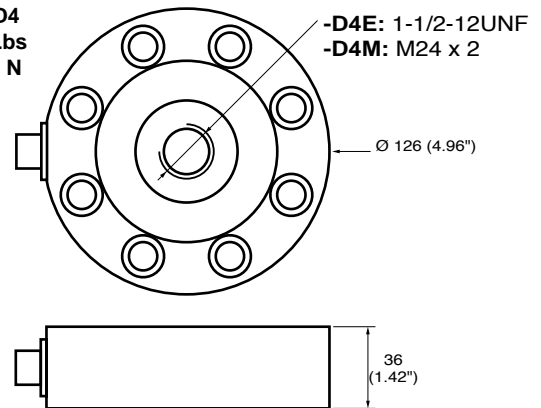
ELKM-D2
2,000 to 5,000 Lbs
10,000 to 25,000 N



ELKM-D3
10,000 Lbs
50,000 N



ELKM-D4
20,000 Lbs
100,000 N



Dim: mm (inches)

ELKM Series

BODY STYLES	Lb RANGES "FS"	N RANGES "FS"	OVERRANGE LIMIT	ALLOWABLE CROSS LOAD FS	OUTPUT "FSO" nom.
ELKM-D1	±500	±2500	1.5x FS	50%	±2 mV/V
ELKM-D1	±1000	±5000	1.5x FS	30%	±2 mV/V
ELKM-D2	±2000	±10000	1.5x FS	30%	±2 mV/V
ELKM-D2	±5000	±25000	1.5x FS	30%	±2 mV/V
ELKM-D3	±10000	±50000	1.5x FS	20%	±2 mV/V
ELKM-D4	±20000	±100000	1.5x FS	20%	±2 mV/V

EXCITATION:	10VDC
BRIDGE IMPEDANCE:	700 Ω
SENSING TECHNOLOGY:	Metallic Foil
DEFLECTION AT "FS":	0.05 to 0.08mm (0.002 to 0.003")
COMBINED NON-LINEARITY & HYSTERESIS:	±0.1%FSO
THERMAL ZERO SHIFT:	±0.01%FS/°C (0.005%FS/°F)
THERMAL SENSITIVITY SHIFT (TSS):	±0.01%/°C (0.005%/°F)
OPERATING TEMPERATURE:	-50°C to 120°C (-65°F to 250°F)
COMPENSATED TEMPERATURE:	20°C to 80°C (70°F to 170°F)
ZERO OFFSET AT 20°C (70°F):	±2% FSO
MODE:	+Signal Output for Tension
CALIBRATION:	Tension (Optional Compression Calibration available)
ENVIRONMENTAL:	IP66 (Splashproof)
BODY MATERIAL:	-D1: Aluminum Alloy -D2, -D3 & -D4: Stainless Steel

"Off-the-Shelf" Stocking Program

 www.entran.com	ELKM LOAD CELLS Industrial - Flat Disc High Stiffness Shear Design	Entran Sensors & Electronics USA: Fairfield, NJ UK: Garston, Watford, Herts, England Europe: Les Clayes-sous-Bois, France		
		SPECIFICATION	ISSUE	PAGE
		ELKMS001U	PB1	1 of 4

ELKM specifications continued ...

Options and Accessories:

COMPENSATED TEMPERATURE RANGES:	STANDARD	= 20°C to 80°C (70°F to 170°F)
	Z0	= -40°C to 20°C (-40°F to 70°F)
	Z1	= -20°C to 40°C (0°F to 100°F)
	Z02	= -40°C to 60°C (-40°F to 140°F)
	Z35	= 20°C to 120°C (70°F to 250°F)
	Z*	= Non-standard, contact Entran
EXCITATION VOLTAGE:	STANDARD	= 10VDC
	V00	= Replace "00" with Excitation between 1 and 10.
	V*	= Non-standard Excitation with standard FSO and non-standard TSS, contact Entran.
CALIBRATION:	STANDARD	Tension
	Available	Tension & Compression calibration Compression calibration
MATING CONNECTORS (Not included):	PT06E-10-6S or equivalent	
CONNECTOR OPTIONS:	See Cable and Connector Bulletin	
COMPRESSION BUTTON ADAPTERS (See Accessories & Adapters Bulletin):	-D1E	CB-D1E
	-D1M	CB-D1M
	-D2E	CB-D2E
	-D2M	CB-D2M
	-D3E	CB-D3E
	-D3M	CB-D3M
	-D4E	CB-D4E
	-D4M	CB-D4M
TENSION PULL PLATE ADAPTERS (See Accessories & Adapters Bulletin):	-D1E	TP-KD1E
	-D1M	TP-KD1M
	-D2E	TP-KD2E
	-D2M	TP-KD2M
	-D3E	TP-KD3E
	-D3M	TP-KD3M
	-D4E	TP-KD4E
	-D4M	TP-KD4M
COMPANION PRODUCTS:	MM50 & MM40 Digital Meters with Sensor Power Supply MSUM-LM01-4 Summing Box for up to 4 Load Cells	

"Off-the-Shelf" Stocking Program

Model Number construction:

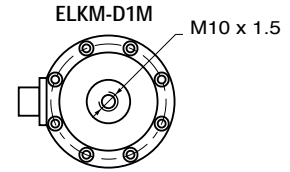
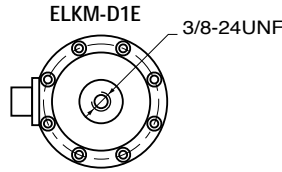
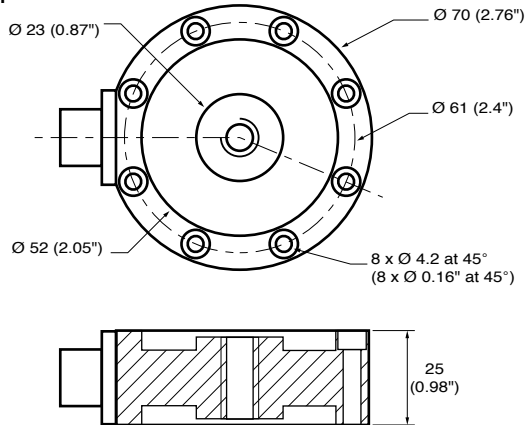
ELKM Series	-	D1 Body	E Threads	-	10K Range	N Units	-	I^Z* Options
		D1 D2 D3 D4	E = English M = Metric		(K used for 1000 Ex.: 1K)	N=Newtons L=Pounds		V1 to V10 or V* Z0, Z1, Z02, Z35 or Z*

Entran®	ELKM LOAD CELLS	SPECIFICATION	ISSUE	PAGE
		ELKMS001U	PB2	2 of 4

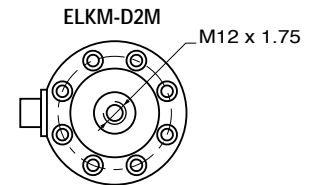
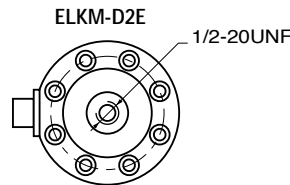
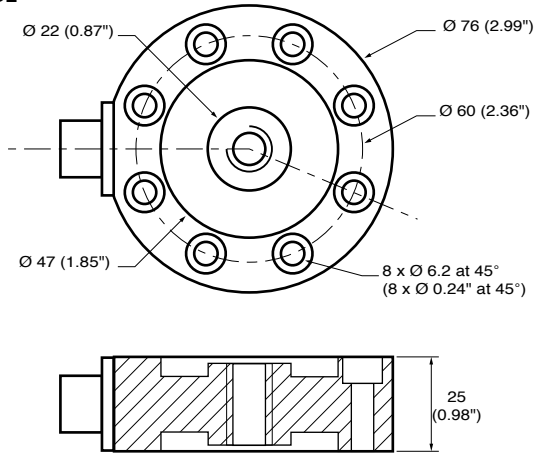
ELKM specifications continued ...

ELKM BODIES

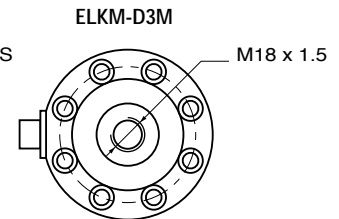
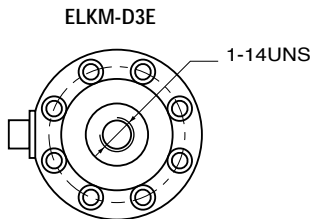
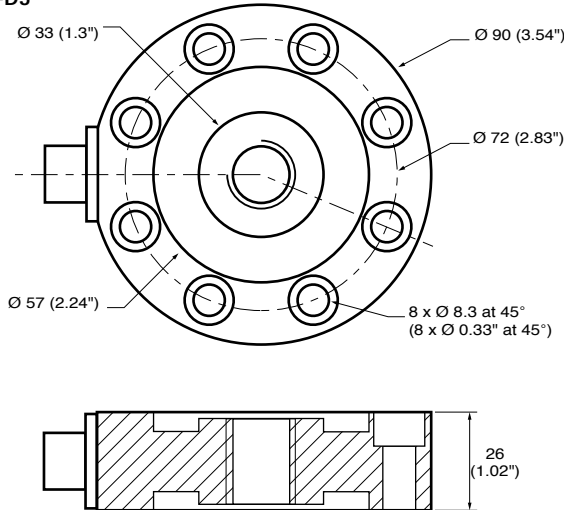
ELKM-D1



ELKM-D2



ELKM-D3

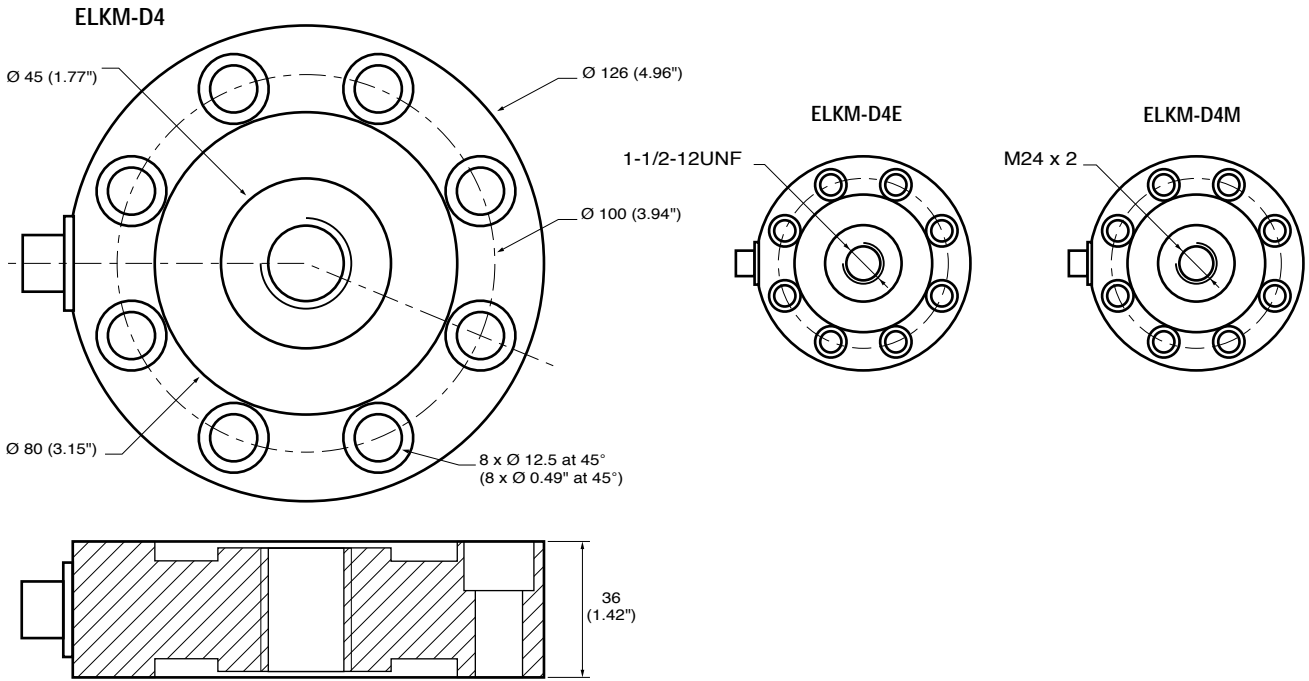


Dim: mm (inches)

Entran [®]	ELKM LOAD CELLS	SPECIFICATION	ISSUE	PAGE
		ELKMS001U	PB1	3 of 4

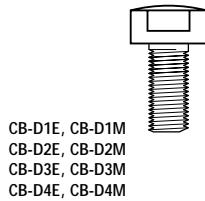
ELKM specifications continued ...

ELKM-D4

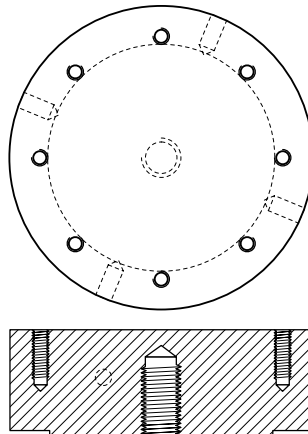


Dim: mm (inches)

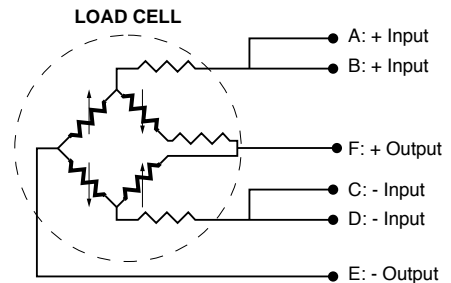
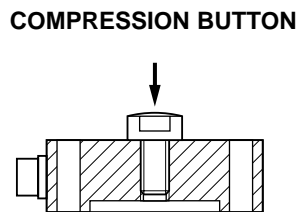
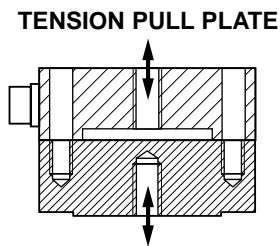
ACCESSORY:
COMPRESSION BUTTON ADAPTERS



ACCESSORY:
TENSION PULL PLATE ADAPTERS



Mounting & Wiring:



Entran®

ELKM LOAD CELLS

SPECIFICATION

ISSUE

PAGE

ELKMS001U

PB1

4 of 4