

SL MA-110 Optical Transmittance Analyzer

Optical Transmittance Analyzer

SL MA-110



User's Manual



Measurement Specialties, Inc
1000 Lucas Way
Hampton, VA 23666
Tel.: 800 745 8008
Tel: +1 757 766 1500
Fax.:+1 767 766 4297
Email: piezo@meas-spec.com
www.meas-spec.com



Sensor Line - Gesellschaft für
optoelektronische Sensoren mbH
Carl-Poellath-Str. 19
D-86259 Schrobenhausen
- Germany -
Tel.: +49 (0) 8252 / 8943-0
Fax.:+49 (0) 8252 / 8943-11
Email: sensorline@sensorline.de
www.sensorline.de

SL MA-110 Optical Transmittance Analyzer

1. General

The SL MA-110 Optical Transmittance Analyzer (OTA) is an electronic interface that supplies and evaluates fiber optic load sensors. The SL MA-110 serves as the interface between the fiber optic sensor and the processing unit. It should be installed indoors or inside a weatherproof road side cabinet. A complete sensor system consists of the SL MA-110 interface with transmitter (LED) and receiver (photodetector) connected by fiber optic feeder cable to the fiber optic load sensor.

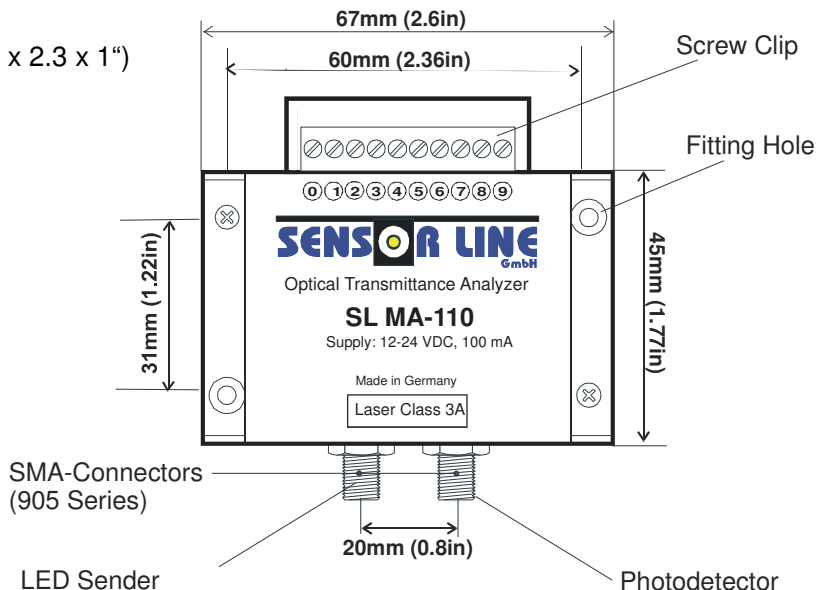
Function:

The interface responds to the optical sensor signal in a dynamic (AC-coupled) manner, i.e. the electrical signal caused when a load is applied to the sensor decreases to zero as the load remains applied. At a threshold, a digital trigger signal is generated. This signal is automatically reset after a certain time period. These characteristics allow the SL MA-110 interface to operate without the need for adjustment.

If the interface detects an interruption in the light transmission path, it generates a digital error signal. Both digital signals are transmitted via optocouplers which behave similar to relays, allowing the use of a variety of output circuitry. The dynamic analogue load signal and the light power monitor signal also have their own output clips.

Features:

- Dynamic interface for detection of light power changes
- Optocoupler digital outputs
- Trigger output (optocoupler)
- Error indication output
- Analog output
- Monitor output for normalizing the analog signal
- Reverse power protection
- Short circuit protection
- Housing 67x58x25mm (2.6 x 2.3 x 1")
- IP 30 (NEMA 2) enclosure
- 10-pin screw clip



SL MA-110 Optical Transmittance Analyzer

2. Technical Data and Connections

Technical Data

Housing:	Plastic
Size:	67 x 58 x 25 mm (2.6 x 2.3 x 1")
Protection Class:	IP 30 (NEMA 2)
Connection:	Screw clips, 10 pins
Optical Interface:	SMA 905
LED Type:	GaAIAs
LED Peak Output Wavelength:	850 nm
Relative Humidity:	80% at 25°C (77°F)
Temperature Range:	-40°C to 85°C (-40°F to 185°F)
Supply Current:	< 100 mA
Supply Voltage:	+ 12 to 24 VDC
Analog Output:	0-10V
Trigger Threshold:	1% change in light transmittance
Optocoupler Output max:	60V/25mA / 150 mW at 25°C
Vehicle Velocity Range:	1 to 250 kph (0.6 to 155 mph)
Feeder Length:	Up to 250 meters (820 ft)
Comparative Laser Class:	3A (sensor disconnected)
EMV/EMI	Fulfills CE requirements

Electrical Connections

Pin No	Signal	Description
0	12 ... 24 VDC	Supply Voltage
1	GND	Ground
2	GND	Ground
3	Vref	Reference Voltage (about 5 V)
4	Vmon	Analog Monitor Signal
5	Vanalog	Analog Load Signal
6	-ERROR	Negative Error Optocoupler Output
7	+ERROR	Positive Error Optocoupler Output
8	-TRIGGER	Negative Trigger Optocoupler Output
9	+TRIGGER	Positive Trigger Optocoupler Output

Optical Connections

SMA Connector (SMA Series 905)	LED Transmitter, Photodetector
--------------------------------	--------------------------------

SL MA-110 Optical Transmittance Analyzer

3. Signals

3.1. The Analog Load Signal

This signal shows the light changes which occur due to the load applied on the sensor in an "AC-coupled" manner.

To obtain the load signal connect Vanalog (pin 5) and Vref (pin 3) to a measuring device. Either use Vref as reference voltage or measure both Vanalog and Vref with reference to GND (Pin 2). In this case do the computation

$$\text{Load Signal} = \text{V analog} - \text{Vref}$$

3.2. The Analog Monitor Signal

In case the load signal is zero this signal shows the absolute light power transmitted by the sensor. It is obtained as is the load signal but it is negative with reference to Vref.

$$\text{Monitor Signal} = -(\text{Vmon} - \text{Vref})$$

As the light changes caused by the load are much smaller than the whole light power the monitor voltage is amplified by a factor of 20 less than the load signal. In either case the complete transmitted light power is proportional to the value

$$\text{Monitor Signal} - \text{Load Signal} / 20$$

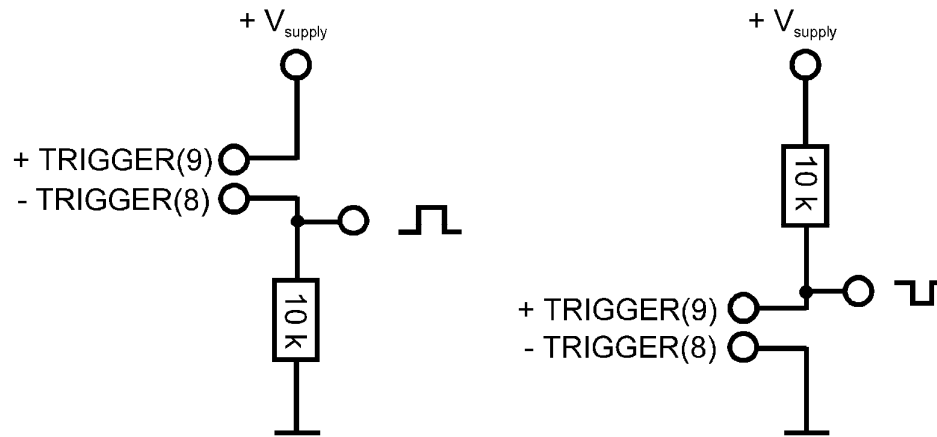
To obtain a normalized load signal independent from the particular sensor's attenuation, do the computation

$$\text{Normalized Load Signal} = 5 \times \frac{\text{Load Signal}}{\text{Monitor Signal}} \text{ in } \%$$

3.3. The Digital Trigger Signal

As the trigger signal is transmitted via an optocoupler one of the following circuits is required (V_{supply} may be any external power supply).

SL MA-110 Optical Transmittance Analyzer

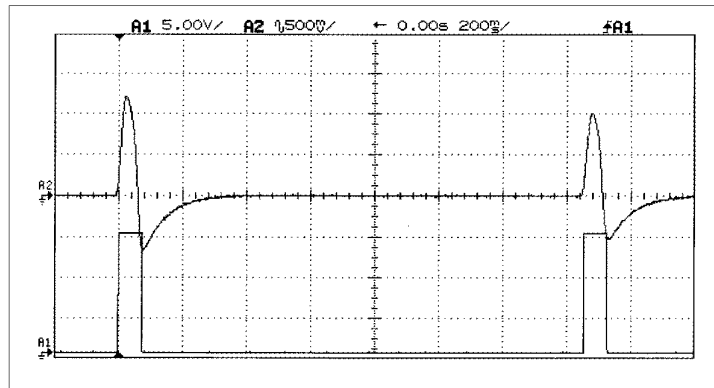


The left circuit yields a positive trigger pulse, the circuit on the right side an inverted one.

The waveforms below show the signals caused by a vehicle crossing the sensor:

Upper graph: Vanalog (pin 5) related to Vref (pin 2)

Lower graph: Signal occurred at -TRIGGER (pin 8) with +TRIGGER (pin 9) connected to +15V and a 10k pull down resistor from -TRIGGER to GND (pin 1, pin 2).



3.4. The Digital Error Signal

To obtain the Error Signal also one of the circuits on the previous page can be used.

If an Error signal occurs first check the monitor signal as described under 3.2. If this equals to zero the transmission path is interrupted. In case it is below 250 mV the attenuation of the transmission path exceeds the limit specified for proper operation of the triggering circuit. This should not occur because the sensors are tested for attenuation. The interface may then still work, but in certain cases the trigger signal may not be reset when the load is removed from the sensor. Try cleaning the fiber connectors with a soft cloth. Be sure that neither the sensors nor the feeders are bent over sharp edges. If this doesn't help the sensor or the feeders might be damaged and should be replaced.

SL MA-110 Optical Transmittance Analyzer

4. Installation and Testing

1. Install the interface using screws, bolts, glue, double sided tape or Velcro.
2. Remove the safety caps from LED transmitter and photodetector.
3. Connect the sensor SMA connectors with transmitter and photodetector. When fastening the sensor SMA connectors with transmitter and photodetector a strong torque must be applied in order to guarantee smallest attenuation. Screw it on tightly by hand, but do not use any pliers. The connection of transmitter and photodetector are interchangeable.
4. Connect the pins 0 (Supply Voltage) and 1 (Ground) to the power supply.
5. Connect the signal outputs (pin 2 to 9)
6. Turn on power supply
7. Test the installation by applying a load to the sensor (stepping or driving over the sensor) and monitor the Digital Trigger signal (pin 8 and 9) or Vanalog signal (pin 5).
8. Test the sensor Error signal (pin 6 and 7) by disconnecting one of the fiber connectors.

5. Safety and Warnings

- **Do not stare into the LED light beam with unprotected eyes.**
- **Only turn on power supply after connecting the sensor or with applied safety caps.**
- **The equipment may only be used for the considered purpose.**
- **The manual should be stored at hand and be delivered to every user.**
- **Any changes and the use of spares which are not sold by the manufacturer cause rejects of warranty.**
- **Repairs are only allowed to the manufacturer.**
- **Before opening the housing always turn off power supply.**

Important notice

All the information contained herein is believed to be accurate and reliable. However, SENSOR LINE and Measurement Specialties assume no responsibility for its use or for any infringements of patents or other rights of third parties that may result from its use. No license is granted by implication or otherwise under any patent rights of SENSOR LINE GmbH. SENSOR LINE GMBH and MEASUREMENT SPECIALTIES SHALL NOT BE LIABLE FOR ANY SPECIAL, INCIDENTAL, OR CONSEQUENTIAL DAMAGES RELATED TO THE USE OF THIS PRODUCT. All rights reserved. Reproduction or adaptation of any part of this documentation beyond without permission of the Copyright owner is unlawful.