

Model TS105-10 Thermopile Sensor



- Thermopile IR-Sensor
- For contactless Temperature Measurement
- High Signal
- Uncooled
- Accurate NTC Reference Sensor
- 5 μ m Long Wave Pass Filter

DESCRIPTION

Thermopiles are mainly used for contactless temperature measurement in many applications. Their function is to transfer the heat radiation emitted from the objects into a voltage output. Major applications are appliances like microwave oven, clothes dryer, automatic cooking, medical devices like ear and forehead thermometer, automotive applications like car climate control, seat occupancy, blind spot alert, black ice detection, consumer products like printer, copier, mobile phone and many industry applications like paper web, plastic parts etc.

FEATURES

- High signal
- Accurate NTC reference sensor
- 5 μ m long wave pass filter

APPLICATIONS

- Pyrometers for distances shorter 0.5 m
- Climate Control
- Printer / Copier
- Forehead Thermometer

PERFORMANCE SPECS

Parameter	Typical	Condition
Package	TO-5	
Absorber Area	0.7×0.7 mm ²	
Resistance of Thermopile	43±8 k Ω	+25 °C
TC of Resistance	-0.06±0.04 %/K	+25°C → +75°C
Thermopile Voltage	6.0±1.7 mV	+25°C, BB +100°C,DC, totally filled field of view
TC of sensitivity	-0.45±0.08 %/K	+25°C → +75°C
Noise Equivalent Voltage	30 nV/Hz ^{1/2}	+25°C
Rise Time	20±5 ms	τ_{63}
Field of View	90°	at 50%
Filter	5.0 μ m	cut on wavelength
Operation Temperature	-20 ... +85°C	
Operation Temperature	-20 ... +100°C	non permanent
Ambient Temperature Sensor	NTC	
Resistance	100 k Ω ±5%	+25°C
β -Value	3955 K ±0.3%	0°C → +50°C
Connections		
Pin 1	TP +	
Pin 2	NTC	
Pin 3	TP -	
Pin 4	GND	

Model TS105-10 Thermopile Sensor

ELECTRICAL CONNECTIONS

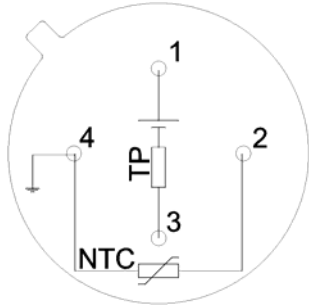


Figure 1: Electrical connections- bottom view of thermopile

MECHANICAL DIMENSIONS

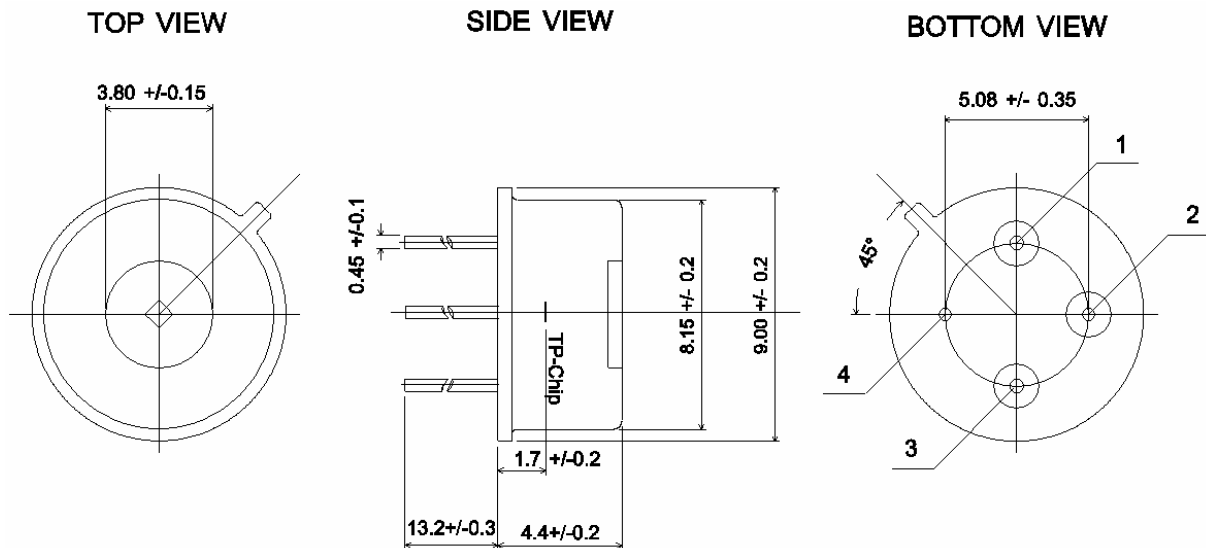


Figure 2: Mechanical dimensions of thermopile

TYPICAL PERFORMANCE CURVES

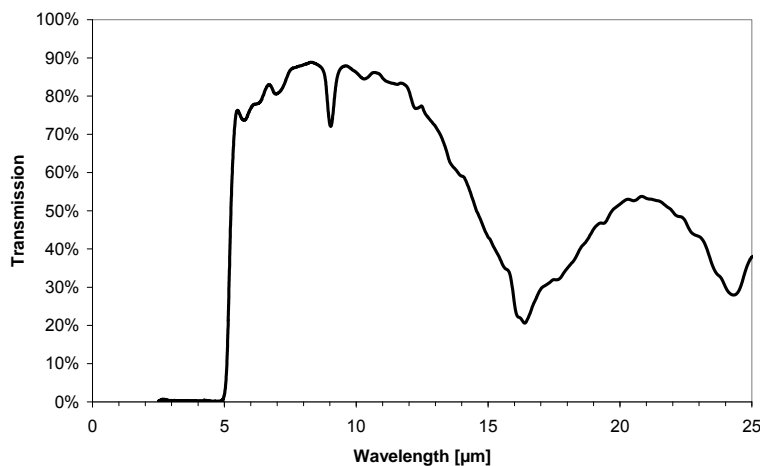


Figure 3: Filter transmission curve

Model TS105-10 Thermopile Sensor

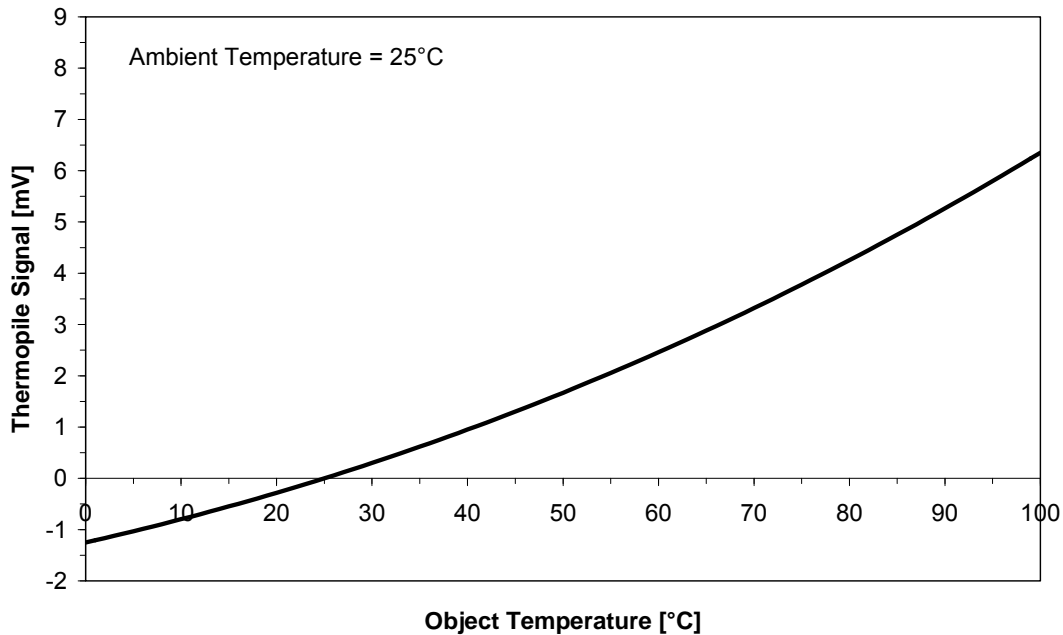


Figure 3: Thermopile signal versus object temperature at 25°C ambient temperature

ORDERING INFORMATION

Please order this product using following:

Part Number	Part Description
G-TPCO-013	TS 105-10 5.5 MM NTC 100K BETA

The information in this sheet has been carefully reviewed and is believed to be accurate; however, no responsibility is assumed for inaccuracies. Furthermore, this information does not convey to the purchaser of such devices any license under the patent rights to the manufacturer. Measurement Specialties, Inc. reserves the right to make changes without further notice to any product herein. Measurement Specialties, Inc. makes no warranty, representation or guarantee regarding the suitability of its product for any particular purpose, nor does Measurement Specialties, Inc. assume any liability arising out of the application or use of any product or circuit and specifically disclaims any and all liability, including without limitation consequential or incidental damages. Typical parameters can and do vary in different applications. All operating parameters must be validated for each customer application by customer's technical experts. Measurement Specialties, Inc. does not convey any license under its patent rights nor the rights of others.

Model TS105-10 Thermopile Sensor