



EPRB-1 Pressure Transducer



- Miniature Design (body \varnothing 11 mm)
- Any liquid or gas Media compatible with Stainless Steel
- Operating Temperature up to 150°C (300°F)
- Rugged for Severe Environment
- CE Approved

DESCRIPTION

Ultra Miniature Pressure Transducer, 100% Stainless Steel welded construction with amplified output, designed for severe environment where minimum size and weight are required.

FEATURES

- Liquid and Gas Media compatible with SS
- Ranges from 3.5 to 350 bar (50 to 5,000 PSI)
- Operating Temperature up to 150°C (300°F)
- Combined NL&H \pm 0.25%

APPLICATIONS

- Motorsports
- Downhole Exploration
- Hydraulic Pressures
- Transportation

STANDARD RANGES

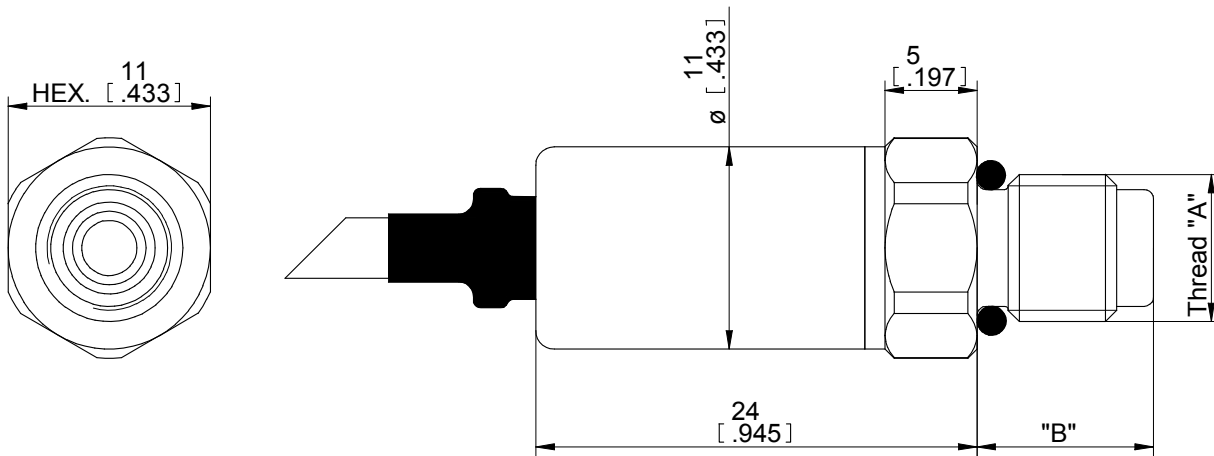
Pressure ranges		Pressure Reference		Pressure limit Model : N & V	Pressure limit Model : S & Q
(BAR)	(PSI)	sealed (type2)	abs. (type3)		
3.5	50	•	•	2 x FS	2 x FS
6	100	•	•	2 x FS	2 x FS
10	150	•	•	2 x FS	2 x FS
20	300	•	•	2 x FS	2 x FS
35	500	•	•	2 x FS	2 x FS
60	1K	•	•	2 x FS	2 x FS
100	1.5K	•	•	2 x FS	2 x FS
200	3K	•	•	1 x FS	1.5 x FS
350	5K	•	•	Not available	1.2 x FS

EPRB-1 Pressure Transducer

PERFORMANCE SPECIFICATIONS

PARAMETERS	VALUES	NOTES
Supply Voltage	Version U: 8 to 32VDC ; Version R: 5 VDC reg.	
Max Current	< 8 mA	
Output Resistance	200Ω typ.	
Non-Repeatability	± 0.05% FSO typ.	
CNL & H	± 0.25% FSO	
Thermal Zero Shift "TZS"	± 1% /100 °C	
Thermal Sensitivity Shift "TSS"	± 1% /100 °C	
Operating Temperature	- 40°C to 150°C	
Compensated Temperature	0°C to 100°C	See option table for other Temperature
Output "FSO"	0.5 to 4.5V = 4V ± 50mV	
Zero Offset at 23°C	0.5V ± 50mV	
CE conformance according to	EN 61010-1, EN 50081-1, EN 50082-1	

DIMENSIONS



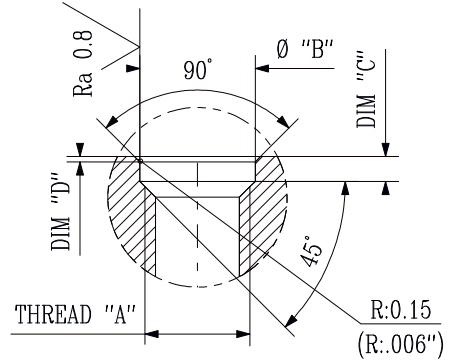
PHYSICAL (SEE BLOCK DIAGRAM)				
MODEL	THREAD "A"	THREAD LENGTH "B"	O-RING SUPPLIED	INSTALLATION TORQUE (MAX.)
N	M5x0.8	8.6 (.34")	Ø3.5x1.5 VITON	1 Nm (9 In-Pounds)
V	10-32 UNF-2A	8.6 (.34")	Ø3.5x1.5 VITON	1 Nm (9 In-Pounds)
S	M8X1	9.6 (.38")	Ø6.35x1.6 VITON	2.5 Nm (22 In-Pounds)
Q	5/16-24 UNF-2A	9.6 (.38")	Ø6.35x1.6 VITON	2.5 Nm (22 In-Pounds)

EPRB-1 Pressure Transducer

INSTALLATION & CONNECTION

RECOMMENDED MOUNTED PORT			
Thread "A"	Dim. "B"	Dim. "C"	Dim. "D"
M5x0.8	5.6 mm	1.5 mm	0.2 mm
10-32 UNF	0.22"	0.060"	0.01"
M8x1	8.8 mm	1.9 mm	0.4 mm
5/16-24 UNF-2A	0.35"	0.075"	0.015"

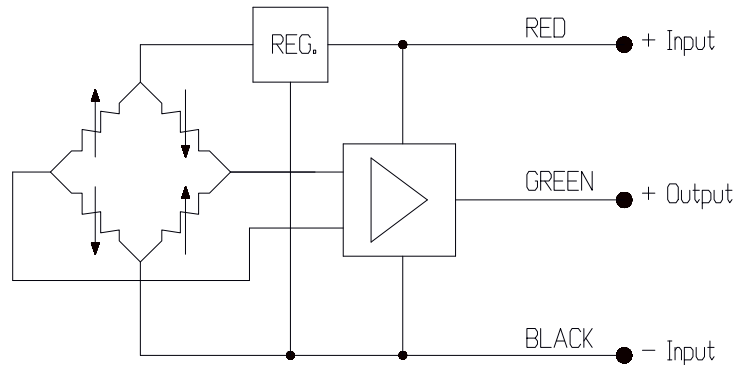
Tolerances on dimensions = ± 0.05 mm (0.002")



WIRING: 3 leads AWG24 under shrink tube

Standard cable length = 1 m.

Use option L00M for custom cable length:
replace "00" with total length in meter



OPTIONS AND ACCESSORIES

OPTIONS	CODES	DESCRIPTIONS
Compensated Temperature Ranges	Z1	-20°C to 40°C
	Z35	+20°C to 120°C
Special Cable Length	L00M	Replace "00" with total length in meters
Acceptance Test Report	ATR	ATR for a complete Acceptance Test Report provided with transducer



EPRB-1 Pressure Transducer

ORDERING INFORMATION

Model	-	Pressure Port	Supply Voltage	Output Signal	Pres. Ref.	-	Range/Unit		-	Options
EPRB-1	-	N = M5x0.8 V = 10-32 UNF S = M8x1 Q = 5/16-24 UNF	U = 8 to 32 VDC R = 5 VDC reg.	3 = 0.5 to 4.5 V	2 = Sealed 3 = Absolute	-	3.5B 6B 10B 20B 35B 60B 100B 200B 350B	50P 100P 150P 300P 500P 1KP 1.5KP 3KP 5KP	-	/Z1 /Z35 /L00M /ATR

Example: EPRB-1-VU32-500P-/Z1/L5M

The information in this sheet has been carefully reviewed and is believed to be accurate; however, no responsibility is assumed for inaccuracies. Furthermore, this information does not convey to the purchaser of such devices any license under the patent rights to the manufacturer. Measurement Specialties, Inc. reserves the right to make changes without further notice to any product herein. Measurement Specialties, Inc. makes no warranty, representation or guarantee regarding the suitability of its product for any particular purpose, nor does Measurement Specialties, Inc. assume any liability arising out of the application or use of any product or circuit and specifically disclaims any and all liability, including without limitation consequential or incidental damages. Typical parameters can and do vary in different applications. All operating parameters must be validated for each customer application by customer's technical experts. Measurement Specialties, Inc. does not convey any license under its patent rights nor the rights of others.