

MS7202-A2

PRESSURE SENSOR DIE (0-2 BAR) FOR HARSH ENVIRONMENT



- 0 to 200 kPa range (2 bar or 29 PSI)
- Uncompensated absolute pressure sensor die
- Piezoresistive silicon micromachined sensor
- Hermetic sensor, temperature up to 150°C
- Pads on one side
- RoHS-compatible & Pb-free¹

DESCRIPTION

The MS7202-A2 is an absolute silicon micro-machined pressure sensor for harsh environment, with the pads on one side. A vacuum reference cavity is sealed on top of the sensitive silicon membrane by the anodic bonding of a glass cap. The pressure, applied on the backside, is converted in electrical signal by piezo-resistors implanted in the silicon membrane. To improve the sensor stability, a drilled glass is bonded on the backside. As the pressure port consists of glass and silicon, both stable in most of the chemicals, the MS7202-A2 is suitable for media-resistive applications.

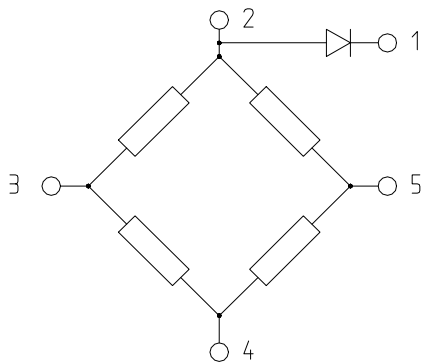
FEATURES

- Media resistive pressure sensor die
- Typical output Span 150mV @ 5 V
- Temperature range -40°...+150°C
- Linearity 0.15% (typical)
- Die size 1.35 x 1.79 mm²
- Low cost, high reliability & stability

APPLICATION

- Harsh environments
- Absolute pressure sensor systems

ELECTRICAL CONNECTIONS

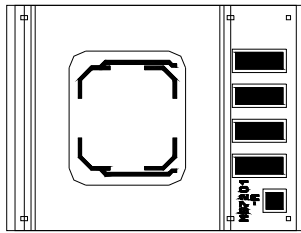


Pin	Symbol	Description
1	EPI / I diode (-)	Epi contact / Cathode of diode (n)
2	Vs+ / I diode (+)	Supply voltage / Anode of diode (p)
3	Out+	Positive output*
4	GND	Ground
5	Out-	Negative output*

*Positive output for pressure applied backside

¹ The European RoHS directive 2002/95/EC (Restriction of the use of certain Hazardous Substances in electrical and electronic equipment) bans the use of lead, mercury, cadmium, hexavalent chromium and polybrominated biphenyls (PBB) or polybrominated diphenyl ethers (PBDE).

BOND PAD CONFIGURATION



Out-
GND
Out+
Vs+ / I diode (+)
Epi / I diode (-)

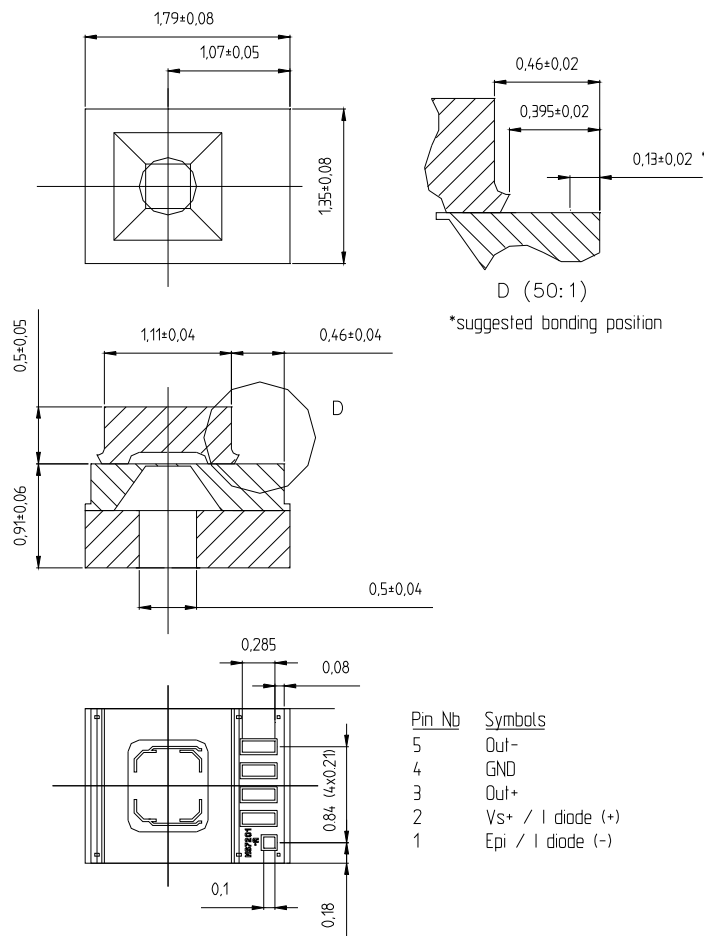
Important remarks:

The epitaxial layer is not connected to the Vs+ pin on the die, this is to allow temperature measurement with the diode. The epi contact and the cathode of the diode have the same electrical potential. To avoid bias effects, diode and bridge cannot be used simultaneously.

As the sensing elements are diffused resistances, the voltage applied on the ground pads (GND) and on the supply voltage (Vs+) have to be lower or equal than the voltage applied on the epi contact (EPI). For better stability it is good to define the potential of the EPI.

Gold ball bonding or aluminium wedge bonding can be used to wire-bond the sensor. The quality of the wire-bonding is equipment and process dependant. For this reason, it is strongly recommended that a thorough wire-bonding qualification is made by the end user if the sensor is going to be operated over an extended temperature range.

LAYOUT



Bond Pads: Aluminium, 100 um in width
Cavity depth: 100 um

FULL SCALE PRESSURE

kPa	bar	mbar	PSI	atm	mm Hg	m H ₂ O	Inches H ₂ O
200	2	2000	29	1.974	1500.12	20	802

ABSOLUTE MAXIMUM RATINGS

Parameter	Symbol	Conditions	Min	Max	Unit
Supply voltage, bridge	V _{s+}	T _a = 25 °C		12	V
Supply current diode	I diode (+)			100	μA
Storage temperature	T _s		-40	+150	°C
Pressure overload				10	Bar

ELECTRICAL CHARACTERISTICS

(Reference conditions: Supply Voltage V_{S+} = 5 Vdc; Ambient Temperature T_a = 25 °C)

Parameter	Min	Typ	Max	Unit	Notes
Operating Pressure Range	0		2	Bar	
Operating Temperature Range	-40		150	°C	
Bridge Resistance	3.0	3.4	3.8	kΩ	
Full-scale span (FS)	120	150	180	mV	
Zero Pressure Offset	-40	0	40	mV	
Linearity		± 0.15	± 0.3	% FS	1
Diode forward voltage (V _F)		0.550		V	2
Temperature Coefficient of Resistance	+ 2700	+ 3100	+ 3400	ppm/°C	3
Span	- 1700	- 2100	- 2400	ppm/°C	
Offset	- 80		+ 80	μV/°C	
Diode		-2.2		mV/°C	2
Pressure Hysteresis	-0.2		0.2	% FS	4
Repeatability	-0.2		0.2	% FS	5
Temperature Hysteresis	-0.15		0.15	% FS	6

NOTES

- 1) Deviation at one half full-scale pressure from the least squares best line fit over pressure range (0 to 2 bar).
- 2) The forward voltage of the diode is measured when driving it with a typical value of 40 μA.
- 3) Slope of the endpoint straight line from 25 °C to 60 °C.
- 4) Output deviation at any pressure within the specified range, when this pressure is cycled to and from the minimum or maximum rated pressure, at 25 °C.
- 5) Same as 4) after 10 pressure cycles.
- 6) Maximum difference in offset after one thermal cycle from -40 °C to +150 °C.

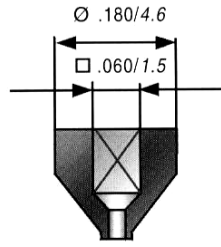
TEMPERATURE COMPENSATION

The diode between the piezo diffusion and the epi contact can be used for temperature measurement. The forward voltage of the diode is measured on I diode (-) when a typical current of 40 μA fed in I diode (+). Temperature measurement cannot be done at the same time as pressure sensing due to bias effects.

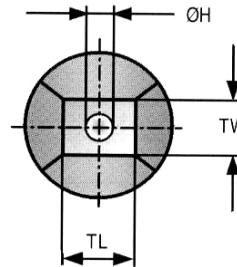
PICKING TOOLS

The MS7202 sensors have a topside glass cap ($1.11 \times 1.35 \text{ mm}^2$) and a backside glass ($1.79 \times 1.35 \text{ mm}^2$). The pick and place tool has to be of a soft material such as rubber (Hardness 78-97 Shore A). Its external size must fit the glass cap. Successful tests were done with some tools of SPT (see SPT drawing and references below).

SPT references	RTR-A2-045x045
External dimension	TL & TW: 0.045 inch / 1.14 mm
Internal dimensions	ØH: 0.025 inch / 0.63 mm



Type A



WIRE BONDING

The bondable area is $100 \times 100 \text{ }\mu\text{m}^2$ for the EPI pad and $100 \times 285 \text{ }\mu\text{m}^2$ for the other pads. The location of the bonding pads is close to the top Pyrex glass edge reducing the possible size and angle of the bonding capillary. Refer to the detail view *D* on the layout for more precision.

ORDERING INFORMATION

Product Code	type	Product	Art.-Nr.
MS7202-A2	Absolute	2 bar pressure sensor die for harsh environment sawn on b/f	720225021

The MS7202-A2 dice are supplied sawn on blue foil, mounted on plastic rings

FACTORY CONTACTS

NOTICE

Intersema reserves the right to make changes to the products contained in this data sheet in order to improve the design or performance and to supply the best possible products. Intersema assumes no responsibility for the use of any circuits shown in this data sheet, conveys no license under any patent or other rights unless otherwise specified in this data sheet, and makes no claim that the circuits are free from patent infringement. Applications for any devices shown in this data sheet are for illustration only and Intersema makes no claim or warranty that such applications will be suitable for the use specified without further testing or modification.