

<b>HEIMANN Sensor GmbH</b>		<b>Product Specification: IR Lamp HSL 5/115</b>
Author(s): W. Leneke, M. Simon	Rev.: R 0.1 / 09.02.2004	Page 1 of 3

# Specification IR Lamp HSL 5/115

**R 0.1**

**Author(s):**

**W. Leneke, M. Simon**

## Revision History

<b>Version</b>	<b>Date</b>	<b>Remarks</b>
R 0.1	09.02.2004	1. Draft of HEIMANN Sensor GmbH

### 1. Purpose, Scope

The lamp HSL 5/115 from Heimann Sensor is a cheap and a reliable IR source for nondispersive infrared (NDIR) gas detection by IR light absorption, e.g. for gases like CO<sub>2</sub> and hydrocarbons.

This IR lamp combines a small design, good processability and has a long lifetime.

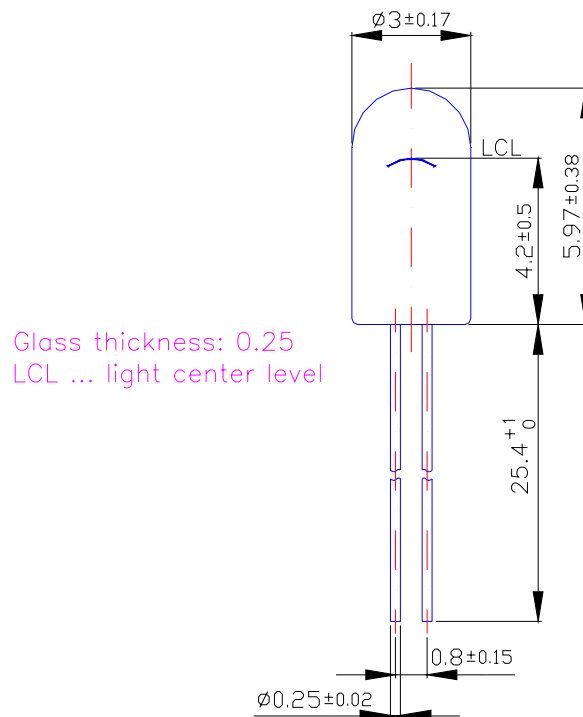
### 2. Absolute Maximum Ratings

Parameter	Limits			Units	Conditions
	Min	Typ.	Max		
ambient temperature	-40	25	100	°C	operation / storage

### 3. General and Electrical Parameter IR Lamp HSL 5/115

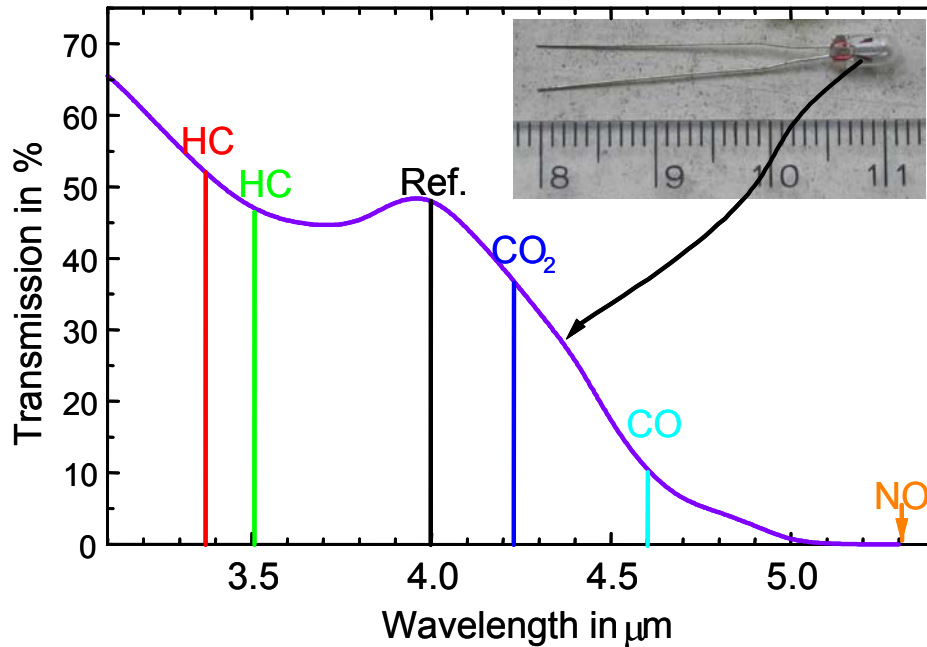
Parameter	Value	Tolerance	Units	Conditions
Voltage	5		V	
Current	115	± 15 %	mA	
Brightness	0.15	± 15 %	MSCP	for visible light, MSCP ... mean spherical candle power
Filament	C-2R			
Average lifetime	40000		h	Voltage = 5V AC

### 4. Lamp Drawing



## 5. Limited Spectral Range

Due to the glass properties the spectral range of the emitted radiation is limited.



## 6. Liability

Changes or modifications at the product which haven't influence to the performance and/or quality of the device haven't to be announced to the customers in advance. Customers are requested to consult with Heimann Sensor representatives before the use of Heimann Sensor products in special applications where failure or abnormal operation may directly affect human lives or cause physical injury or property damage. The company or their representatives will not be responsible for damage arising from such use without prior approval.