

Two Channel Thermopile Detector TS2x200B-A-S1.5

High sensitive thermopile dual-detector based on thin film technology with narrow band filters for gas analysis.

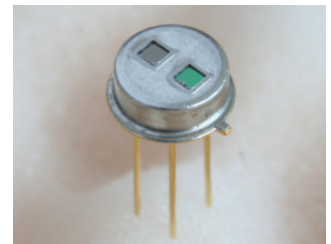
Active Area	2 x (1.2 x 1.2)	mm ²
Aperture	2 x (1.5 x 1.5)	mm ²
Number of Thermocouples per Channel	200	
Time Constant $t_{(0-63\%)}^1$	typ. 30	ms
DC Output Voltage ¹	typ. 5.5	mV
DC Sensitivity ¹	typ. 100	V/W
Temperature Coefficient of Sensitivity ²	typ. -0.4	%/K
Noise Voltage ³	typ. 33	nV/Hz ^{1/2}
Noise Equivalent Power NEP ¹	typ. 0.33	nW/Hz ^{1/2}
Specific Detectivity D* ¹	typ. 3.6×10^8	cmHz ^{1/2} /W
Resistance of Thermopile ³	65 ± 15	kΩ
Temperature Coefficient of Resistance ²	typ. -0.03	%/K
Thermistor	1 – PTC 1 kΩhm 2 – NTC 30 kΩhm 3 – NTC 100 kΩhm Technical specifications see document “thermistors”.	
Filling Gas ⁴	N ₂ / Kr	
Filters	All Micro-Hybrid standard narrow band pass filters can be combined. Customized filters on request. For more information please see document “infrared filters”.	
Operation Temperature	-20 ... +70	°C
Mass	1	g
Housing	T039 (modified)	

¹ on air without windows, Blackbody T=500 K; E=38 W/m²

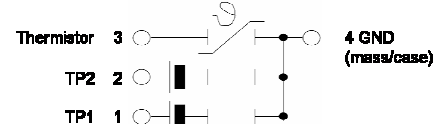
² temperature range from +25 to +70 °C

³ at T_{amb}=25 °C

⁴ In case of Kr-filling increase of DC Output Voltage, DC Sensitivity, Specific Detectivity and Time Constant by the factor 1.8. Decrease of NEP by the same factor. Other gases on customer's request.



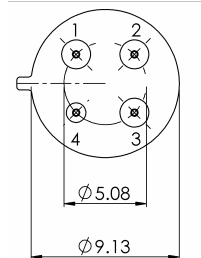
Equivalent Circuit



Bottom View

Pin Assignment:

- Pin 1 Output TP1
- Pin 2 Output TP2
- Pin 3 Thermistor
- Pin 4 Mass (GND)



Ordering Information:

TS2x200B-A-S1.5 - Thermistor (F) - Backfill Gas (GG) - Filters (H/H)
e.g. TS2x200B-A-S1.5-1-Kr-E1/D1

Micro-Hybrid Electronic GmbH

Heinrich-Hertz-Straße 8
D-07629 Hermsdorf

Tel +49 366 01 592 100
Fax +49 366 01 592 110

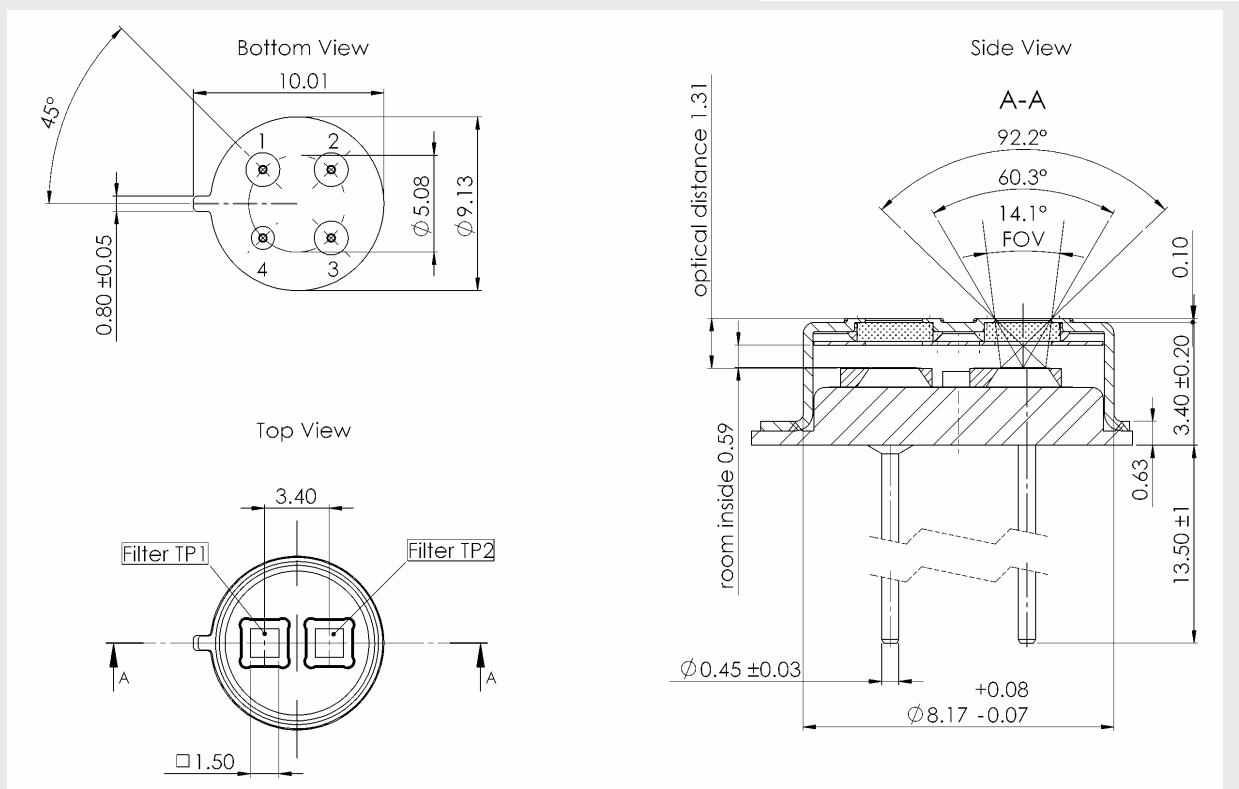
Email: infrared@micro-hybrid.de
Web: www.micro-hybrid.de

LIVING MICROWORLDS.

March 15th 2011 - subject to change without notice

Two Channel Thermopile Detector TS2x200B-A-S1.5

Housing
T039 package



Optional parts:

IR-Source JSIR 350 - Fast IR emitter based on thin film technology
Art.-Nr. 6351.01-3.01

IR-Source JSIR 450 - Broadband IR emitter high performance for heavily absorbing media
Art.-Nr. 6350.01-3.01

Preamplifier TE2AMP1 - Low noise preamplifier for Dual Thermopile Detectors
Art.-Nr. 9627.01-4.51

Micro-Hybrid Electronic GmbH

*Heinrich-Hertz-Straße 8
D-07629 Hermsdorf*

*Tel +49 366 01 592 100
Fax +49 366 01 592 110*

*Email: infrared@micro-hybrid.de
Web: www.micro-hybrid.de*

March 15th 2011 - subject to change without notice

LIVING MICROWORLDS.