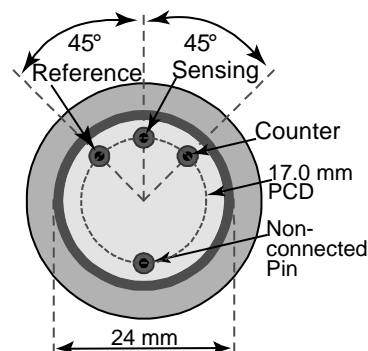
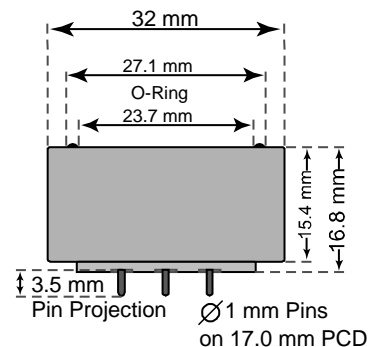


**SPECIFICATION SHEET FOR SiH<sub>4</sub> SENSOR TYPE SiH<sub>4</sub>/C-50****PERFORMANCE CHARACTERISTICS**

Nominal Range	0 – 50 ppm
Maximum Overload	ND
Expected Operation Life	2 years in air
Output Signal	1000 ± 300 nA/ppm
Resolution	0,2 ppm
Temperature Range	- 20 °C to 45 °C
Pressure Range	Atmospheric ± 10%
Pressure Coefficient	No data
T <sub>90</sub> Response Time	< 60 sec
Relative Humidity Range	15 % to 90 % R.H. non-condensing
Typical Baseline Range (pure air, 20°C)	0 ppm to – 1 ppm
Maximum Zero Shift (+20°C to +40°C)	ND
Expected Long Term Output Drift	< 2 % signal loss/month
Recommended Load Resistor	10 Ohm
Bias Voltage	Not recommended
Repeatability	< 2 % of signal
Output Linearity	Linear

**PHYSICAL CHARACTERISTICS**

Weight	~ 13 g
Position Sensitivity	None
Storage Life	Six months in container
Recommended Storage Temperature	5 °C – 20 °C
Warranty Period	12 months from date of dispatch

**Compact-Size Outline Dimensions****BOTTOM VIEW****SIDE VIEW****CROSS-SENSITIVITY DATA**

Interfering Gas	Concentration	Reading
CO	200 ppm	0 ppm
H <sub>2</sub>	200 ppm	0 ppm
SO <sub>2</sub>	5 ppm	1 ppm
H <sub>2</sub> S	5 ppm	8 ppm
PH <sub>3</sub>	2 ppm	2 ppm

Performance data conditions:  
20 °C, 50% RH and 1013 mbar

**APPLICATIONS**

Safety and Environmental Control

The data contained in this document is for guidance only. Membrapor AG accepts no liability for any consequential losses, injury or damage resulting from the use of this document or the information contained within it. The data is given for guidance only. Customers should test under their own conditions, to ensure that the sensors are suitable for their own requirements.

REV.: 3/2007

Page 1 of 1

Phone: +41 43 311 72 00  
Fax : +41 43 311 72 01  
Email: [info@membrapor.ch](mailto:info@membrapor.ch)  
[www.membrapor.ch](http://www.membrapor.ch)

MEMBRAPOR AG  
Birkenweg 2  
CH-8304 Wallisellen  
Switzerland