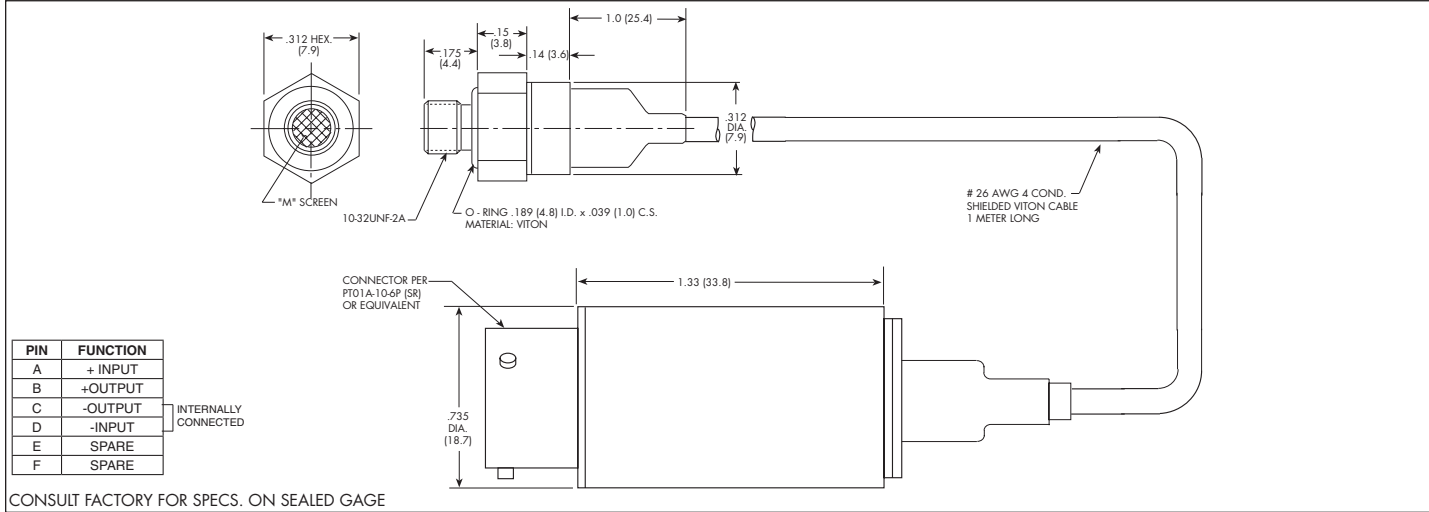




**ULTRA MINIATURE 5 VDC OUTPUT
MICROPROCESSOR CORRECTED RUGGEDIZED
AUTOMOTIVE IS® PRESSURE TRANSDUCER**

XTL-DC-123C-190 SERIES

- Automotive Testing Applications
- High Accuracy
- .15% T.E.B. Typical
- Compatible With All Automotive Fluids
- Intrinsically Safe Patented Leadless Technology Applications



INPUT Pressure Range	1.7 25	3.5 50	7 100	17 250	35 BAR 500 PSI
Operational Mode	Absolute, Sealed Gage				
Over Pressure	2 Times Rated Pressure to a Max. of 1000 PSI (70 BAR)				
Burst Pressure	3 Times Rated Pressure to a Max. of 1500 PSI (100 BAR)				
Pressure Media	All Nonconductive, Noncorrosive Liquids or Gases (Most Conductive Liquids and Gases - Please Consult Factory)				
Rated Electrical Excitation	12 ± 4 VDC or 28 ± 4 VDC				
Maximum Electrical Current	25 mA (Max.)				
OUTPUT Output Impedance	200 Ohms (Typ.)				
Full Scale Output (FSO)	5 VDC				
Residual Unbalance	0 VDC > 0.1 VDC				
Total Error Band	± 0.3% (Max.) ± 0.15% (Typ.) (End Point Settings, Combined Non-Linearity, Hysteresis, Repeatability And All Thermal Effects Included)				
Resolution	Infinitesimal				
Bandwidth (KHz)	3.5 KHz				
Acceleration Sensitivity % FS/g Perpendicular Transverse	3.0x10 ⁻⁴ 6.0x10 ⁻⁵	1.5x10 ⁻⁴ 3.0x10 ⁻⁵	1.0x10 ⁻⁴ 2.0x10 ⁻⁵	5.0x10 ⁻⁵ 1.0x10 ⁻⁵	3.0x10 ⁻⁵ 6.0x10 ⁻⁶
Insulation Resistance	100 Megohm Min. @ 50 VDC				
ENVIRONMENTAL Operating Temperature Range	-40°F to +400°F (-40°C to +204°C) Amplifier -40°F to +265°F (-40°C to +130°C)				
Compensated Temperature Range	-40°F to +250°F (-40°C to +120°C)				
Linear Vibration	100g Peak, Sine Up to 5000 Hz				
Humidity	100% Relative Humidity				
Mechanical Shock	100g half Sine Wave 1 msec. Duration				
PHYSICAL Electrical Connection	4 Conductor 26 AWG Shielded Viton Cable 1 Meter Long				
Weight	25 Grams (Nom.) Excluding Cable				
Sensing Principle	Fully Active Four Arm Wheatstone Bridge Dielectrically Isolated Silicon on Silicon Patented Leadless Technology				
Mounting Torque	15 Inch-Pounds (Max.)				