

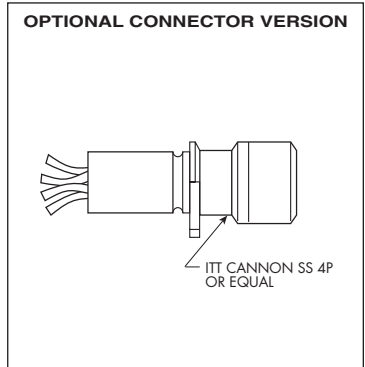
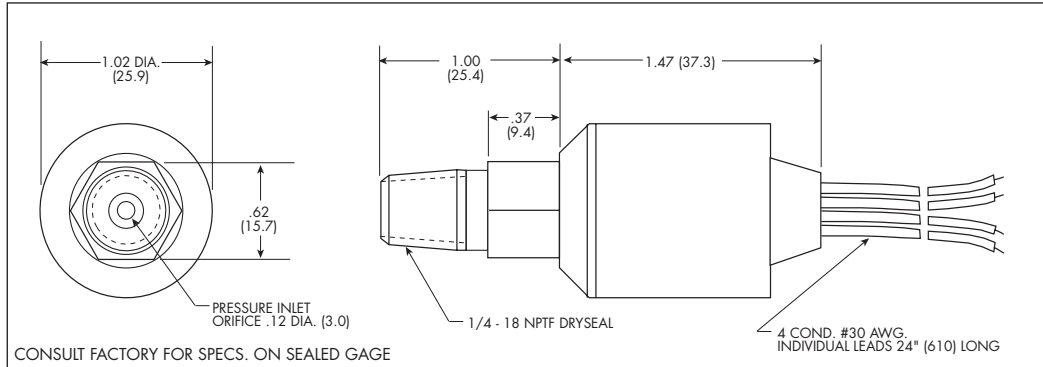


RUGGEDIZED LOW COST OEM PRESSURE TRANSDUCER

ITQ-1000 SERIES

- Advanced Technology Integrated Sensor
- Military Qualified
- Proven Performance
Millions of Hours Accumulated
Billions of Cycles Accumulated
- Rugged
- Excellent Stability, Repeatability And Accuracy

The ITQ-1000 Series transducer was designed for high volume military applications where severe temperature and vibration is encountered. The Series represents a unique combination of excellent performance characteristics combined with low cost.



INPUT Pressure Range	0.7 10	1.0 15	1.7 25	7 100	21 300	35 BAR 500 PSI
Operational Mode	Absolute, Sealed Gage					
Over Pressure	2 Times Rated Pressure					
Burst Pressure	3 Times Rated Pressure					
Pressure Media	All Nonconductive, Noncorrosive Liquids or Gases (Most Conductive Liquids and Gases - Please Consult Factory)					
Rated Electrical Excitation	10 VDC					
Maximum Electrical Excitation	12 VDC					
Input Impedance	1500 Ohm (Typ.), 500 Ohm (Min.)					
OUTPUT Output Impedance	1000 Ohm (Typ.), 2000 Ohm (Max.)					
Full Scale Output (FSO)	100 mV (Nom.)					
Residual Unbalance	± 5 mV (Typ.)					
Combined Non-Linearity, Hysteresis and Repeatability	± 0.5% FSO BFSL (Typ.)					
Hysteresis	± 0.1% FSO (Max.)					
Repeatability	± 0.25% FSO (Max.)					
Resolution	Infinitesimal					
Natural Frequency (KHz) (Typ.)	175	200	240	380	575	700
Insulation Resistance	50 Megohm Min. @ 50 VDC					
ENVIRONMENTAL Operating Temperature Range	-65°F to +250°F (-55°C to +120°C)					
Compensated Temperature Range	50°F to +200°F (10°C to +93°C)					
Thermal Zero Shift	± 2% FS/100°F (Typ.)					
Thermal Sensitivity Shift	± 2% /100°F (Typ.)					
Linear Vibration	50g Peak, Sine 10 to 3000 Hz					
Altitude	-150 ft. to +70,000 ft. Will Not Damage Sensor					
Submersion	Will Withstand a Salt Water Immersion (5%) With Input Port Protected					
Humidity	MIL-STD 810, METHOD 507					
Mechanical Shock	5000g. 100µ sec.					
PHYSICAL Pressure Port	1/4"-18 NPTF Male - Dry Seal					
Electrical Connection	4 Conductor 30 AWG Individual Leads 24" Long					
Weight	100 Grams Approx.					
Pressure Sensing Principle	Fully Active Four Arm Wheatstone Bridge Dielectrically Isolated Silicon on Silicon					