

LIE-251-#

pyroelectric detector

Description:

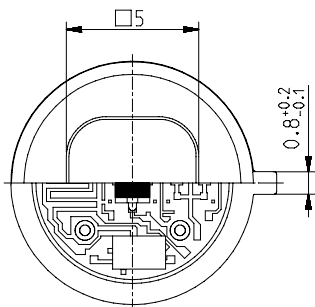
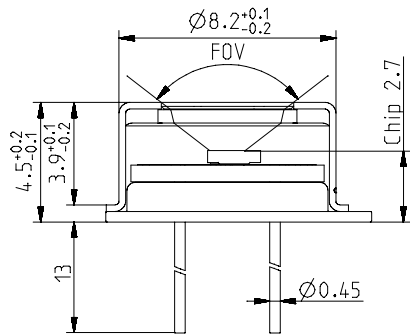
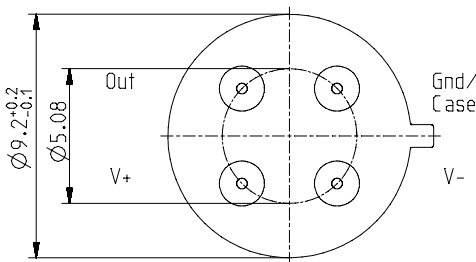
single channel; TO39 housing; small chip size; OpAmp; current mode; feedback 5GOhm;



HOUSING:

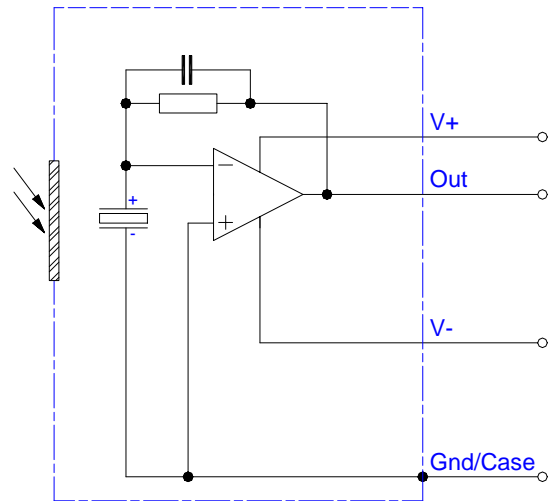
PIN ASSIGNMENT:

TO39 4Pin
Bottom view

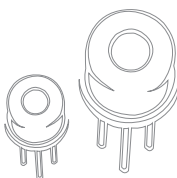
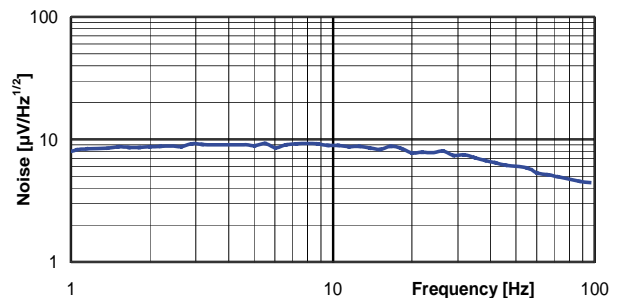
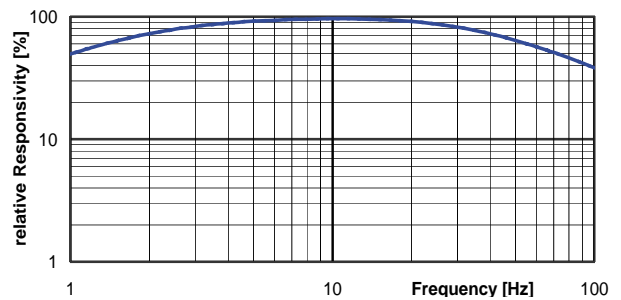


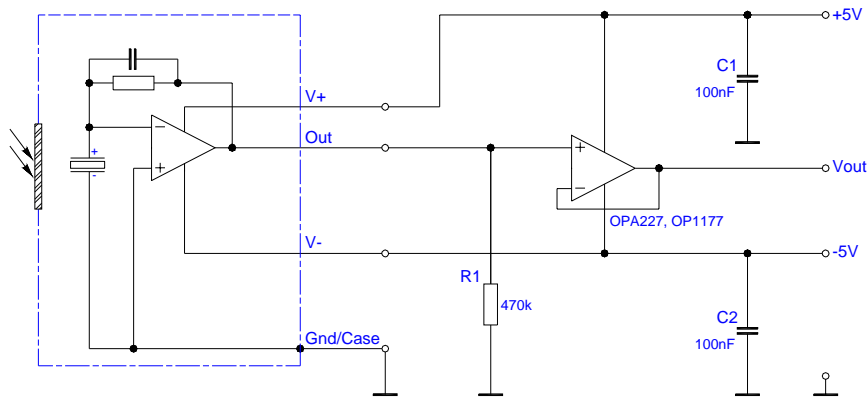
Top view

Maximum current between Case and the "Case"-Pin 10 mA!



FREQUENCY RESPONSE:



LIE-251-#**pyroelectric detector****TEST CIRCUIT:****PARAMETERS:**

Aperture size	nom	5.0 mm sq.
Element size / type	nom	1.3x1.3 mm ² lithium-tantalate with black layer
Thermal time constant	typ	150 ms
Feedback resistor	nom	5 GOhm ±10%
Feedback capacitor	nom	0.68 pF ±0.1 pF
Polarity	nom	negative signal by positive IR flux change
Voltage responsivity (rms) {500K, 10 Hz, 25 °C, without window}	min	7,000 V/W
Noise density (rms) {10 Hz, BW 1 Hz, 25 °C}	max	12 μV/(sqrt[Hz])
Detectivity {500K, 10 Hz, 1 Hz, 25 °C, without window}	min	7.6E+07 cm(sqrt[Hz])/W
CMOS operational amplifier	nom	OpAmp1 (for characteristics see application note)
Supply voltage V+ - V-	max	16 V
Operating supply voltage V+ / V-		+3.5 ... 8.0 V / -1.5 ... -8.0 V
Recommended supply voltage V+ / V-	nom	V+ = +5 V; V- = -5 V
Supply current {output load 1MOhm}	max	50 μA
Offset voltage {25 °C; output load 1MOhm}		-5 mV ... +5 mV
Optimal output load	nom	100 kOhm
Absolute output current	max	±2 mA
Operating / Storage temperature	nom	-25 ... +85°C
IR window		All InfraTec windows and filters are available (except KBr and CsI). Customized filters upon request.
Filter sizes	nom	rectangular filters: (5.25 x 5.25) mm +0/-0.05 mm circular filters: ø6.5 mm ±0.1 mm standard thickness: 0.50 mm +0.2/-0.1 mm thickness range 0.70 ... 1.10 mm on request
Field of View	min	CaF2 or BaF2; 0.4 mm thick: 95° Silicon substrate; 0.5 mm thick: 100°