

Quick Detection of Flame from Distance, Compact UV Sensor with High Sensitivity and Wide Directivity, Suitable for Flame Detectors and Fire Alarms.

The UVTRON R9533 and R9454 are ultraviolet ON/OFF sensors that utilize the photoelectric effect from metal and gas multiplication. These devices are sensitive only to UV light in a spectral range of 185 nm to 260 nm. This makes them easy to use since they do not require optical visible-cut filters. Their electrodes are optimized for ruggedness to resist mechanical shocks up to 10 times (10000 m/s²) greater than the conventional UVTRONS.

The R9533 is a head-on type (UV light enters through the top of the bulb) that easily installs into equipment. The R9454 is a side-on type (UV light enters through the side of the bulb) whose outer appearance resembles the conventional flame sensor R2868. Both these types utilize a plate cathode and feature high sensitivity and a wide field of view (directivity).

APPLICATIONS

- Flame detectors for gas / oil lighters and matches
- Fire alarms
- Arson watch monitors
- Combustion monitors for burners
- Inspection of ultraviolet leakage
- Detection of discharge
- Ultraviolet switching

SPECIFICATIONS

GENERAL

Parameter	R9454	R9533	Unit
Spectral Response	185 to 260		nm
Window Material	UV glass		—
Weight	Approx. 1.5	Approx. 2.5	g

MAXIMUM RATINGS

Parameter	R9454	R9533	Unit
Supply Voltage (DC)	500	400	V
Peak Current ^①	30		mA
Average Discharge Current ^②	1		mA
Operating Ambient Temperature	-20 to +60	-20 to +125	°C

CHARACTERISTICS (at 25 °C)

Parameter	R9454	R9533	Unit
Discharge Starting Voltage (with UV radiation) (DC) Max.	360	280	V
Recommended Operating Voltage (DC)	400 ± 25	350 ± 25	V
Background ^③ Max.	10		min ⁻¹
Sensitivity ^④ Typ.	4000	10000	min ⁻¹

NOTE: ① This is the maximum momentary current that can be handled if its full width at half maximum is less than 10 μs.

② If the tube is operated near this or higher, the service life is noticeably reduced. Use the tube within the recommended current values.

③ Measured under room illuminations (approximately 500 lux) and recommended operating conditions. Note that these values may increase if the following environmental factors are present.

1. Mercury lamps, sterilization lamps, or halogen lamps are located nearby. 2. Direct or reflected sunlight is incident on the tube.

3. Electrical sparks such as welding sparks are present. 4. Radiation sources are present. 5. High electric field (including static field) generates across the tube.

④ These are representative values for a wavelength of 200 nm and a light input of 10 pW/cm². In actual use, the sensitivity will vary with the wavelength of the ultraviolet radiation and the drive circuitry employed.



Left: R9533 Right: R9454

FLAME SENSOR UVTRON® R9454, R9533

Figure 1: UVTRON's Spectral Response and Various Light Sources

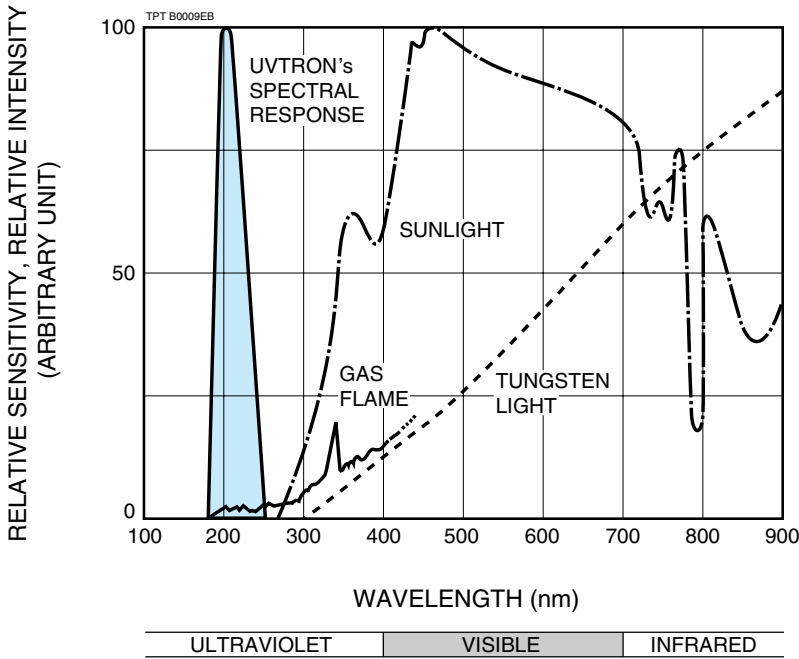
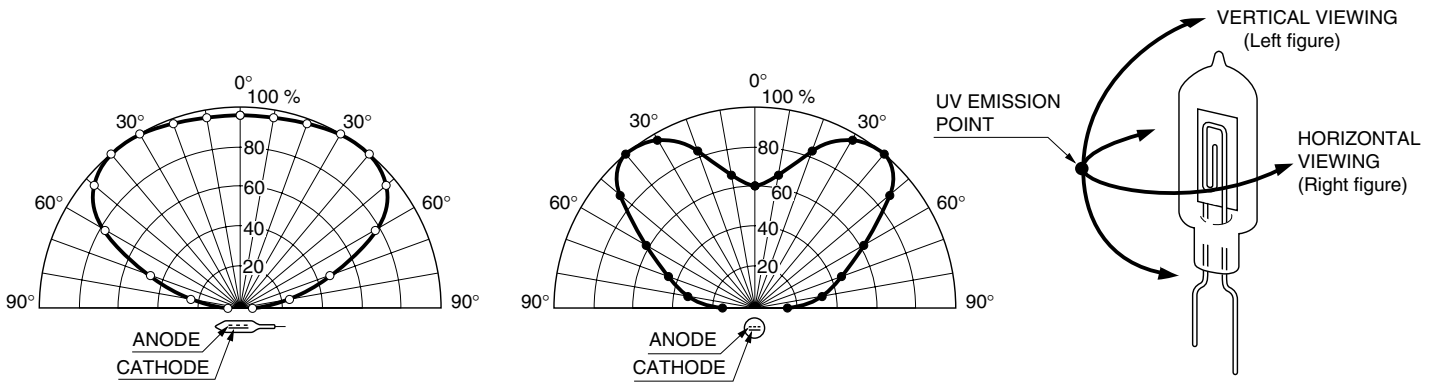


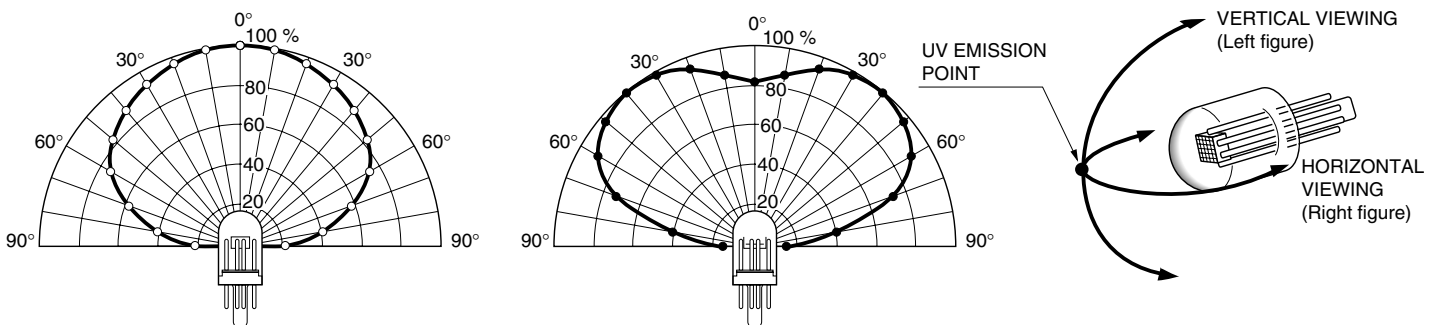
Figure 2: Angular Sensitivity (Directivity)

R9454



TPT B0033EA

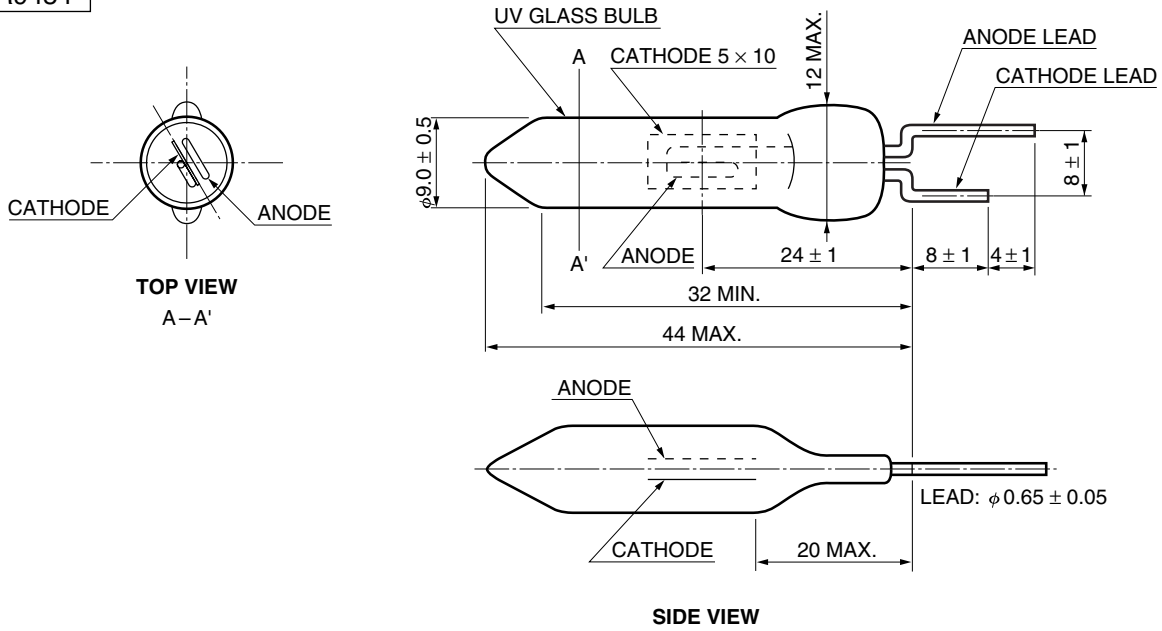
R9533



TPT B0032EA

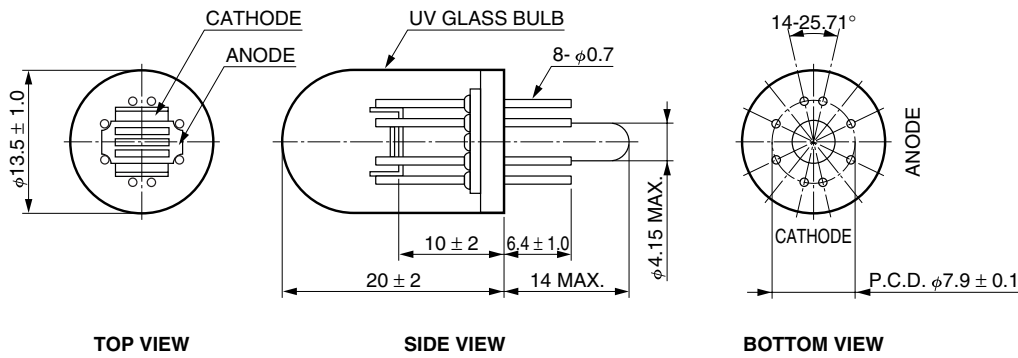
Figure 3: Dimensional Outline (Unit: mm)

R9454

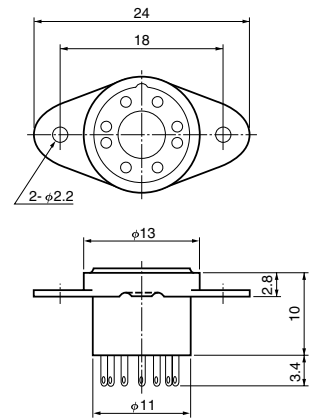


TPT A0036EC

R9533



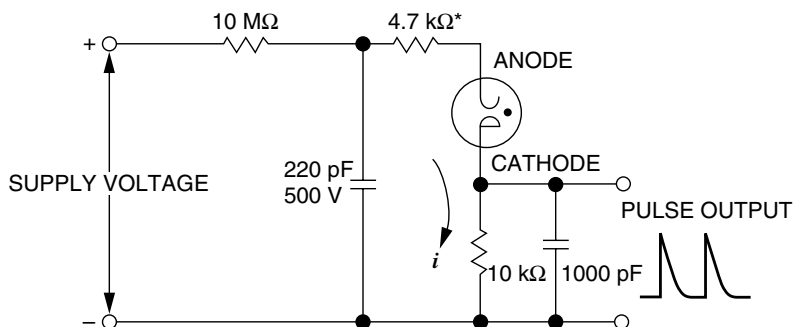
●E678-8F (Sold Separately)



TPT A0035EA

TACCA0289EA

Figure 4: Recommended Operating Circuit



* This 4.7 kΩ resistor must be connected within 2.5 cm from the tip of the UVtron anode lead.

TPT C0016EA

FLAME SENSOR UVTRON[®] R9454, R9533

■ PRECAUTIONS FOR USE

● Ultraviolet Radiation

The UVTRON itself emits ultraviolet radiation in operation. When using two or more UVTRONs at the same time in close position, care should be taken so that they do not optically interfere with each other.

● Vibration and Shock

These UVTRONs passed IEC 60068-2-6 (vibration test 3.0 mm peak to peak, 200 m/s², 10 Hz to 2000 Hz) and IEC 60068-2-27 (impact test 10000 m/s², 1 ms). However, if subjected to strong mechanical shocks such as drop impacts in excess of the guaranteed values, the bulb may crack or internal electrodes may deform resulting in poor electrical characteristics. So use extreme care when handling the UVTRON.

● Polarity

Connect the UVTRON at the correct polarity. Reverse polarity connection will cause malfunction or breakdown.

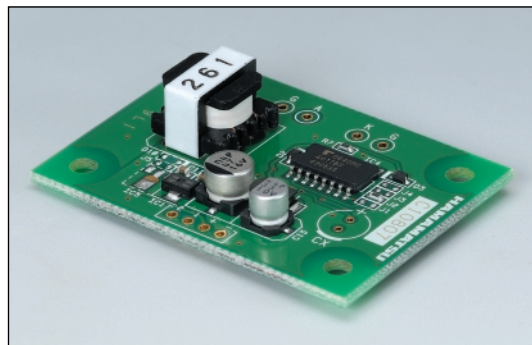
■ WARRANTY

The UVTRON is covered by a warranty for a period of one year after delivery. The warranty is limited to replacement of any defective tube due to defects traceable to the manufacturer.

RELATED PRODUCTS

UVTRON[®] DRIVING CIRCUIT C10423, C10807 (Sold Separately)

The C10423, C10807 are compact drive circuits. Since the high-voltage power supply and signal processing circuit are mounted on the same printed circuit board, the C10423 operates as a flame sensor by just supplying a DC voltage (12 V to 24 V) and connecting an UVTRON[®]. Please use C10423 with R9454, C10807 with R9533. Please note that the R9533 lead pins cannot be soldered directly to the C10807. A dedicated socket (E678-8F) must be used to make the connection. For more details, refer to the driving circuit catalog.



▲ C10807

HAMAMATSU

WEB SITE www.hamamatsu.com

HAMAMATSU PHOTONICS K.K., Electron Tube Division

314-5, Shimokanzo, Iwata City, Shizuoka Pref., 438-0193, Japan, Telephone: (81)539/62-5248, Fax: (81)539/62-2205

U.S.A.: Hamamatsu Corporation: 360 Foothill Road, P. O. Box 6910, Bridgewater, N.J. 08807-0910, U.S.A., Telephone: (1)908-231-0960, Fax: (1)908-231-1218 E-mail: usa@hamamatsu.com

Germany: Hamamatsu Photonics Deutschland GmbH: Arzbergerstr. 10, D-82211 Herrsching am Ammersee, Germany, Telephone: (49)8152-375-0, Fax: (49)8152-2658 E-mail: info@hamamatsu.de

France: Hamamatsu Photonics France S.A.R.L.: 19, Rue du Saule Trapu, Parc du Moulin de Massy, 91882 Massy Cedex, France, Telephone: (33)1 69 53 71 00, Fax: (33)1 69 53 71 10 E-mail: infos@hamamatsu.fr

United Kingdom: Hamamatsu Photonics UK Limited: 2 Howard Court, 10 Tewin Road Welwyn Garden City Hertfordshire AL7 1BW, United Kingdom, Telephone: 44-(0)1707-294888, Fax: 44(0)1707-325777 E-mail: info@hamamatsu.co.uk

North Europe: Hamamatsu Photonics Norden AB: Smidesvägen 12, SE-171-41 SOLNA, Sweden, Telephone: (46)8-509-031-00, Fax: (46)8-509-031-01 E-mail: info@hamamatsu.se

Italy: Hamamatsu Photonics Italia: S.R.L.: Strada della Moia, 1/E, 20020 Arese, (Milano), Italy, Telephone: (39)02-935 81 733, Fax: (39)02-935 81 741 E-mail: info@hamamatsu.it

TPT 1019E05
JUN. 2010 IP

深圳商斯达实业**专用电路与单片机部**是专业开发、设计、生产、代理、经销专用电路(ASIC)

和单片机配套产品,温度、湿度、语音、报警、计时、计步、测速、调光、游戏、新特优等专用芯片和模组;专用电路、微控制器、DSP、语音系统开发、设计、测试、仿真工具,为消费电子、通信、家电、防盗报警厂家提供专业服务。产品主要有:1、温度计电路、体温计电路、湿度计电路、时钟温湿度计电路、计时钟控电路、计步运动表电路、测速电路、调光电路、游戏电路、防盗报警电路、遥控电路、钟表电路、闪灯电路、计数电路、语音电路等专用芯片和模组,为三资企业、外贸出口企业提供完整配套服务;2、带LED闪烁电路、声效电路、玩具钢琴电路、音乐音效电路、灯串电路、风扇控制电路、计算器电路、万年历电路、汇率转换电路、玩具声光电路、遥控编解码电路、红外线遥控电路、无线遥控电路及配件、语音录放电路、圣诞灯电路、热释电控制器(人体感应)电路等专用芯片和配套模组。

更多产品请看本公司产品专用销售网站:

商斯达中国传感器科技信息网: <http://www.sensor-ic.com/>

商斯达工控安防网: <http://www.pc-ps.net/>

商斯达电子 元器件网: <http://www.sunstare.com/>

商斯达微波光电产品网: [HTTP://www.rfoe.net/](http://www.rfoe.net/)

商斯达消费电子产品网: [//www.icasic.com/](http://www.icasic.com/)

商斯达实业科技产品网: [//www.sunstars.cn/](http://www.sunstars.cn/)

传感器销售热线:

地址:深圳市福田区福华路福庆街鸿图大厦 1602 室

电话:0755-83387016 83387030 83398389 83600266

传真:0755-83376182 (0) 13902971329 MSN: SUNS8888@hotmail.com

邮编:518033 E-mail: szss20@163.com QQ: 195847376

深圳赛格展销部:深圳华强北路赛格电子市场 2583 号 电话:0755-83665529 25059422

技术支持:0755-83394033 13501568376

欢迎索取免费详细资料、设计指南和光盘;产品凡多,未能尽录,欢迎来电查询。

北京分公司:北京海淀区知春路 132 号中发电子大厦 3097 号

TEL: 010-81159046 82615020 13501189838 FAX: 010-62543996

上海分公司:上海市北京东路 668 号上海赛格电子市场 2B35 号

TEL: 021-28311762 56703037 13701955389 FAX: 021-56703037

西安分公司:西安高新开发区 20 所(中国电子科技集团导航技术研究所)

西安劳动南路 88 号电子商城二楼 D23 号

TEL: 029-81022619 13072977981 FAX:029-88789382