

APPLICATIONS

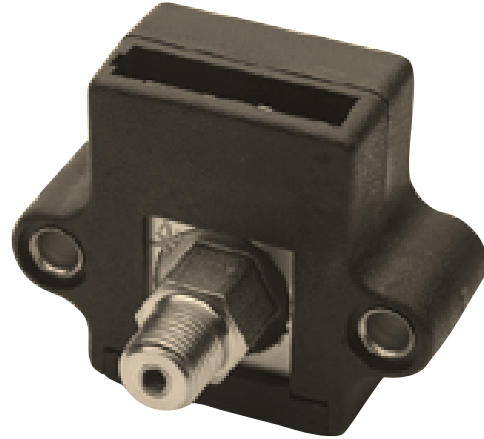
- AGRICULTURAL SPRAYERS AND DUSTERS
- AIR CONDITIONING AND REFRIGERATION
- COMPRESSORS
- ENGINE CONTROLS AND MONITORS
- ENVIRONMENTAL CONTROL SYSTEMS
- HYDRAULIC CONTROLS
- PNEUMATIC CONTROLS
- PROCESS CONTROL EQUIPMENT
- ROBOTICS
- TRANSMISSIONS
- WATER MANAGEMENT

MODEL EA • PRESSURE TRANSDUCER

The EA manifold mount is designed for OEM uses requiring high output and corrosion resistance. It has operated through millions of pressure cycles without damage and is well-suited for the high cycle rates found in automatic equipment, robots, and hydraulic systems.

The EA has been approved by Underwriters Laboratories as a component in float and pressure operated motor controllers (file #E93356). Its pressure port, amplifier, and voltage supply regulator are packaged in a Valox case. A mating electrical connector is included with this low price transducer.

The EAF version outputs a low frequency signal which is ideal for electrically noisy environments as well as applications requiring long distance signal transmission or an interface to a microprocessor. The output signal is a frequency modulated square wave set from 1 to 6 kHz.

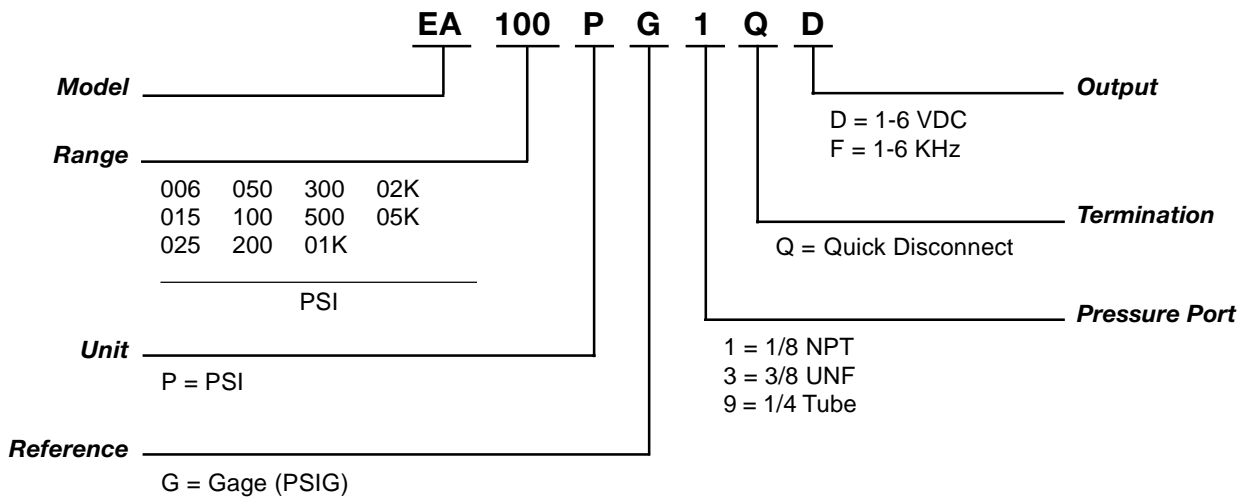


EA SERIES PRESSURE TRANSDUCER

FEATURES BENEFITS

- | | |
|---|---|
| <ul style="list-style-type: none"> • Amplified output • 0-6 to 0-5000 PSIG • Valox case • 1-6 Vdc or 1-6 kHz span • Manifold mount | <ul style="list-style-type: none"> • For use by OEM • Wide range of application • Rugged, lightweight • Compatible with microprocessors • Ease of installation |
|---|---|

HOW TO ORDER



TECHNICAL SPECIFICATIONS

RANGE

0-6, 15, 25 psig (0-.414, 1.03, 1.72 bar g)	0-50, 100, 200, 300 psig (0-3.45, 6.89, 13.8, 20.7 bar g)	0-500, 1000, 2000, 5000 psig (0-34.5, 68.9, 138, 345 bar g)
--	--	--

(bar values are approximate)

PHYSICAL

Proof Pressure	2 x rated range without damage	2 x rated range without damage	1.5 x rated range without damage
Burst Pressure	10 x rated range without bursting	10 x rated range without bursting	5 x rated range without bursting

Material in Contact With Media: Brazed assembly of 300 series stainless steel

Shock Resistance: 50 g's peak, (5 milliseconds)

Vibration Resistance: Meets MIL-STD 810C, Figure 514-5, Curve AK, Time Schedule II, Random Vibration Test (Overall g rms 20.7 minimum)

Weight: Less than 3 oz (85 gm) with connector

ELECTRICAL

	Voltage	Frequency
Span	5 ± 0.1 Vdc (1-6 Vdc)	5 ± 0.1 kHz (1-6 kHz)
Excitation Voltage	8 to 24Vdc	10 to 20 Vdc
Null Offset	1.0 ± 0.15 Vdc	1.0 ± 0.15 kHz
Supply Current (nominal)	15 mA	15 mA 20 mA
Output Current (nominal)	Source Sink	10 mA 5mA 8mA
Reverse Polarity Protection	NO	
Insulation Resistance	greater than 1000 megohms at 25 Vdc	
Electrical Connection	Automotive type Valox with crimp pins (Supplied with transducer)	

PERFORMANCE

Accuracy: ±1% span from best fit straight line including effects of non-linearity, hysteresis and repeatability

Operating Temperature Range: -67° to 212° F (-55° to 100° C)

Compensated Temperature Range: 30° to 185° F (-1° to 85° C)

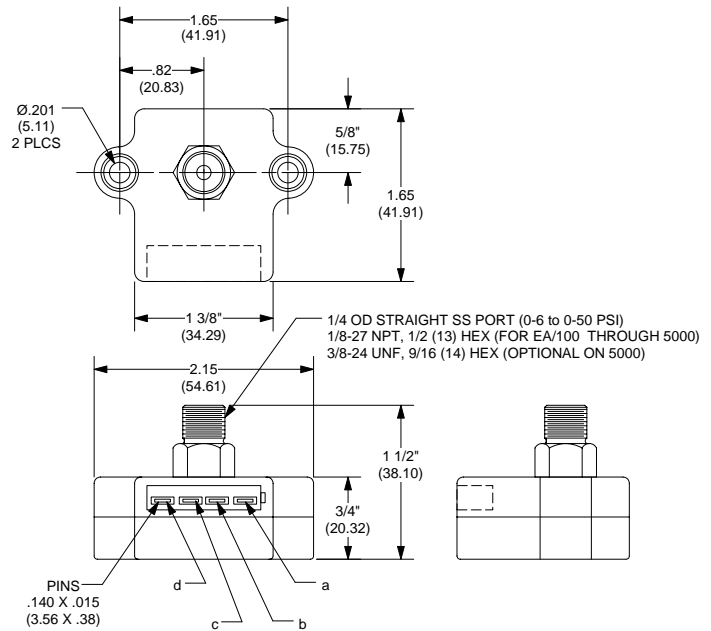
Thermal Effect On Zero: Less than ±1% span -any 100° F (55° C) range within the compensated temperature range.

Thermal Effect On Span: Less than ±1% -any 100° F (55° C) range within the compensated range.

NOTE: All specifications are measured at 25° C and rated excitation unless otherwise specified.

DIMENSIONS

xx.xx = inches
(xx.x) = mm



VOLTAGE / FREQUENCY OUTPUTS

Pins	Voltage Output	Frequency Output
a	+ Excitation	+ Excitation
b	Signal Out	Signal Out
c	N/A	Enable
d	Ground	Ground

WARRANTY/REMEDY

Honeywell warrants goods of its manufacture as being free of defective materials and faulty workmanship. Contact your local sales office for warranty information. If warranted goods are returned to Honeywell during the period of coverage, Honeywell will repair or replace without charge those items it finds defective. The foregoing is Buyer's sole remedy and is in lieu of all other warranties, expressed or implied, including those of merchantability and fitness for a particular purpose.

Specifications may change without notice. The information we supply is believed to be accurate and reliable as of this printing. However, we assume no responsibility for its use.

While we provide application assistance personally, through our literature and the Honeywell web site, it is up to the customer to determine the suitability of the product in the application.

Item # 1062000 M.G. 3/01 Rev. A

Honeywell

Sensing and Control
Honeywell
100 Discovery Way
Acton, MA 01720 USA



Tel: (877) 384-1300; Fax: (978) 263-0630

www.honeywell.com/sensing/products/di

SUNSTAR 自动化 <http://www.sensor-ic.com/> TEL: 0755-83376489 FAX: 0755-83376182 E-MAIL: szss20@163.com