



Tactile Switches 6mm × 5.3mm Radial Taped Top Push

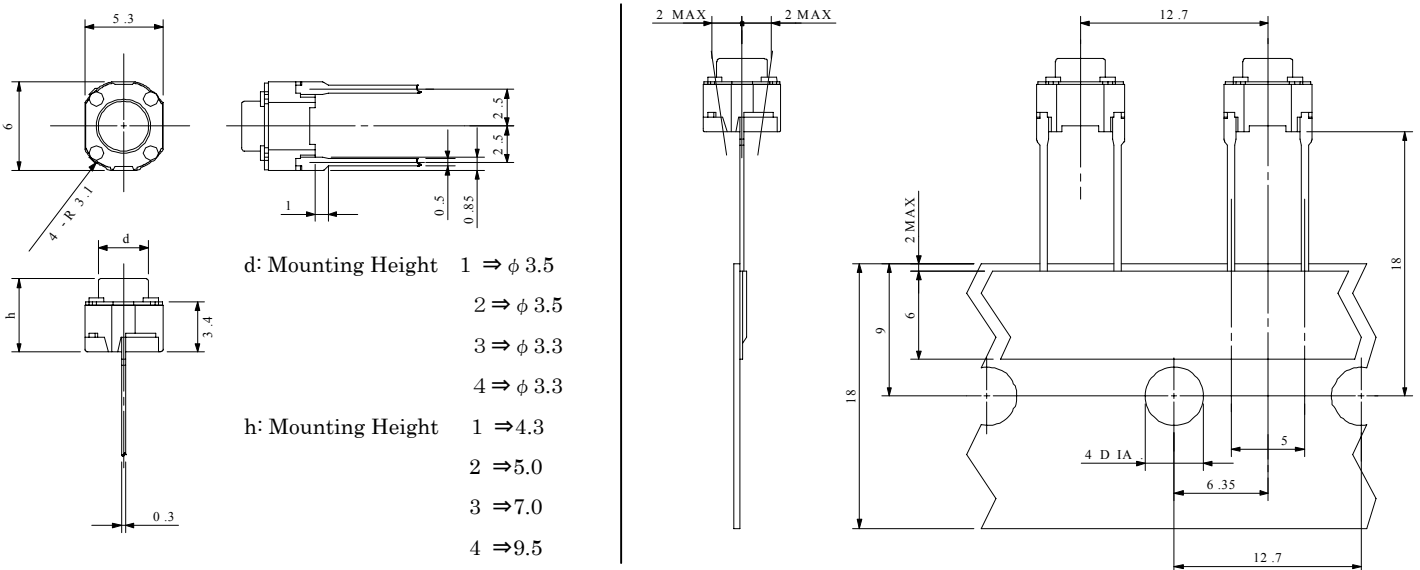
General

■ Features

- RoHS Directives-compliant product
- Crisp clicking by tactile feedback
- Take less space on PCB (87.8 % of our conventional 6 × 6 type)
- Prevent flux rise by insert-molded terminal
- Radial taping for auto insertion and auto dip-soldering



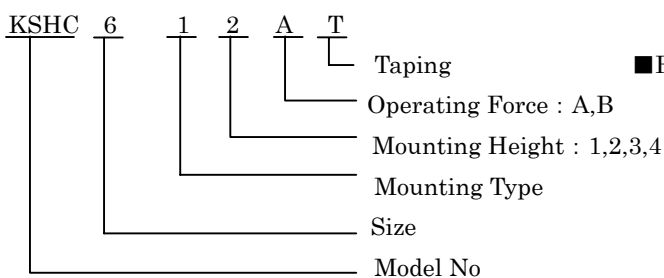
■ Dimensions (Unit : mm)



■ Specifications

Item	Specification	Unit	Note
Operating Temperature Range	-25~+70	°C	
Storage Temperature Range	-40~+85	°C	
Type of Operation	Tactile Feedback		
Circuit Configuration	Push-On Momentary, 1 pole-1 throw		
Power Rating	MAX 50mA 24VDC		
Contact Resistance	MAX 100	mΩ	
Insulation Resistance	100MΩ Min. at 100VDC		
Dielectric Withstanding Voltage	250VAC for 1 minute		
Operation Life	100,000 times		
Contact Bounce	MAX 5	ms	
Operating Force	0.98±0.49	N	A type
	1.57±0.49	N	B type
Return Force	MIN 0.10	N	A type
	MIN 0.49	N	B type
Travel	0.25 +0.2/-0.1	mm	

■ Model Designation



■ Packaging Quantity

2,500 pcs / Box

■ Recommended Mounting Hole Dimensions Unit:mm

