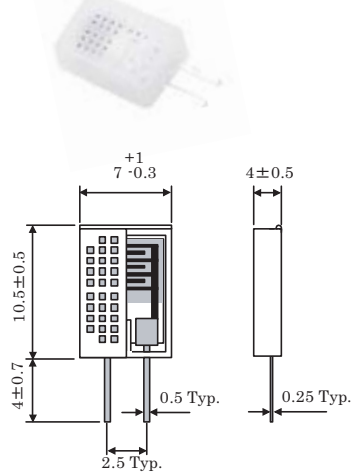




Relative Humidity Sensor

【Humidity Sensors】

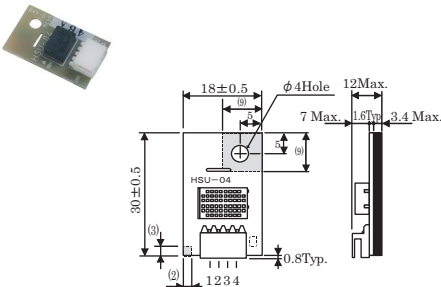
Model No. HIS-06-N



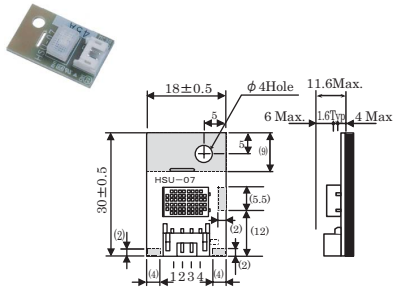
Item		HIS-06-N
Absolute Maximum Ratings	Rated Voltage	AC 5.5V Max.
	Rated Wattage	1.0mW
	Storage Temperature Range	-25°C~70°C
	Storage Humidity Range	0%RH~90%RH
Operating Conditions	Operating Temperature Range	-20°C~60°C
	Operating Humidity Range	0%RH~90%RH
Electrical Performances	Output	45.8kΩ (at: 25°C/50%RH)
	Output Accuracy	±5%RH(at: 25°C/50%RH)
	Hysteresis	±1%RH(at: 30%RH~90%RH)
	Response	3.5minutes (Typ.) (at: 30%RH⇄90%RH, 90% Reach, 1.2cm/sec.)

【Humidity Sensor Modules】

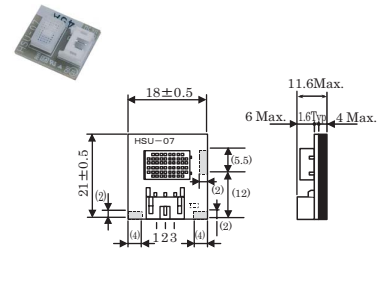
Model No. HSU-04A1-N



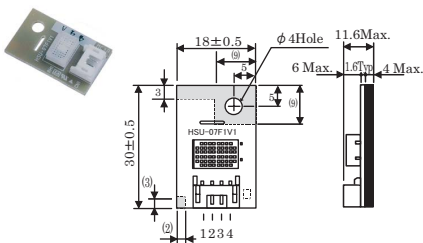
Model No. HSU-07A1-N/A2-N



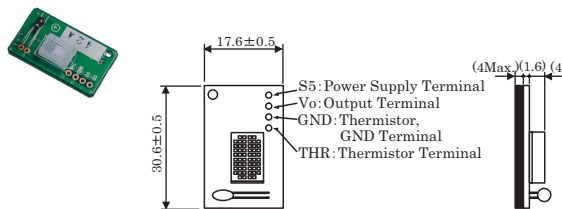
Model No. HSU-07B1-N/B2-N



Model No. HSU-07F1V1-N/F1V2-N



Model No. HSU-07D-N



Item		HSU-04A1-N	HSU-07A1-N/A2-N	HSU-07B1-N/B2-N	HSU-07F1V1-N	HSU-07F1V2-N	HSU-07D-N	
Absolute Maximum Ratings	Rated Voltage	DC 5.0V (4.75V~5.25V)				DC3.3V (3.135V~3.465V)		DC 5.0V (4.75V~5.25V)
	Storage Temperature Range	-25°C~70°C						
	Storage Humidity Range	0%RH~90%RH						
Operating Conditions	Operating Temperature Range	-20°C~60°C						
	Operating Humidity Range	10%RH~90%RH	20%RH~90%RH		10%RH~90%RH			
Electrical Performances	Output Accuracy	±5%RH at 25°C: 40%RH/60%RH						
	Current Consumption	1.3mA Typ.						2mA Typ.
	Hysteresis	±1%RH(at: 30%RH~90%RH)						
	Thermistor Characteristics	R25=50kΩ ± 5%, B25/50=4000K ± 200K						R25=1.7kΩ ± 2%, B25/50=3900K ± 195K
Response		3.5 minutes(Typ.) (at: 30%RH⇄90%RH, 90% Reach, 1.2cm/sec.)						