

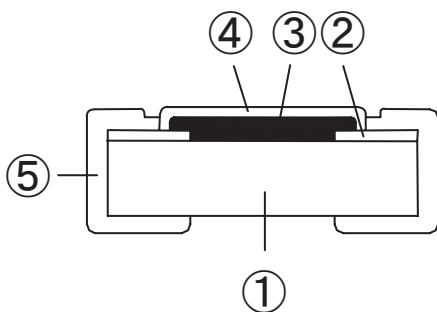


# Extremely Low Resistance Chip Resistors

New

Model No.	ECR20	ECR32	ECR50
Size Code Inch	2012	1206	2010
Size Code mm	0805	3216	5025

## Construction



Symbol	Material List
①	Alumina substrate
②	Conductor
③	Resistive film
④	Over coat
⑤	Side termination

## Model Designation

ECR32	R050	J	V
①Model No.	②Resistance	③Tolerance	④Packaging
①Model No.	②Resistance	③Tolerance(%)	④Packaging
ECR20	4 digit (Resistance) (Marking)	Symbol   Tolerance	Symbol   Packaging
ECR32	0.050Ω → R050	F   ±1	B   Bulk
ECR50	0.091Ω → R091	G   ±2	V   Paper taping
		J   ±5	E   Embossed taping

## Rating

Model No.	Rated Wattage (W)	Tolerance (%)	Resistance Range (Ω)	T.C.R. (ppm/°C)	Max. Working Voltage (V)	Max. Working Overload (V)
ECR20	0.25	F   ±1	0.050 ~ 0.091	0 ~ +100	200	400
		G   ±2				
		J   ±5				
ECR32	0.5	F   ±1	0.050 ~ 0.091	0 ~ +100	200	400
		G   ±2				
		J   ±5				
ECR50	1.0	F   ±1	0.050 ~ 0.091	0 ~ +100	200	400
		G   ±2				
		J   ±5				

Operating temperature range : -55 °C ~ +125 °C

## Dimension, Power rating, Packaging

Refer "Dimension, Packaging,etc."