

GS Oxygen Sensors

Features:

- * Long life
KE-25 - 5 years / KE-50 - 10 years in ambient air
- * Virtually no influence from CO₂, CO, H₂S, NO_x, H₂
- * Low cost
- * Operates in normal ambient temperatures
- * Stable output signal
- * No external power supply required for sensor operation
- * No warmup time is required

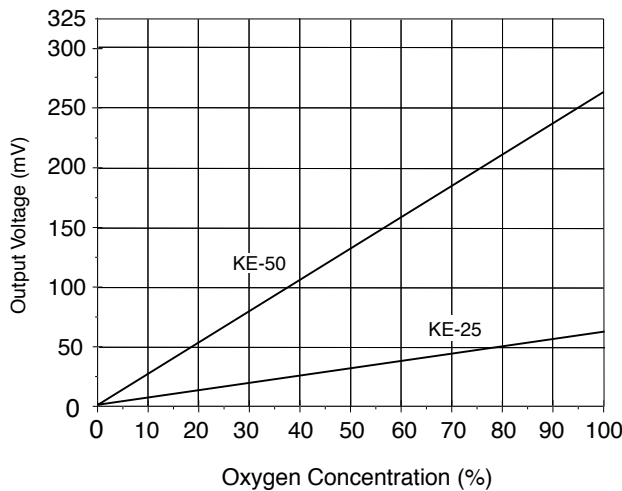
Applications:

- * Medical - Anesthetic instruments, respirators, oxygen-enrichers
- * Biotechnology - Oxygen incubators
- * Food industry - Refrigeration, greenhouses
- * Safety - Air conditioners, oxygen detectors, fire detectors

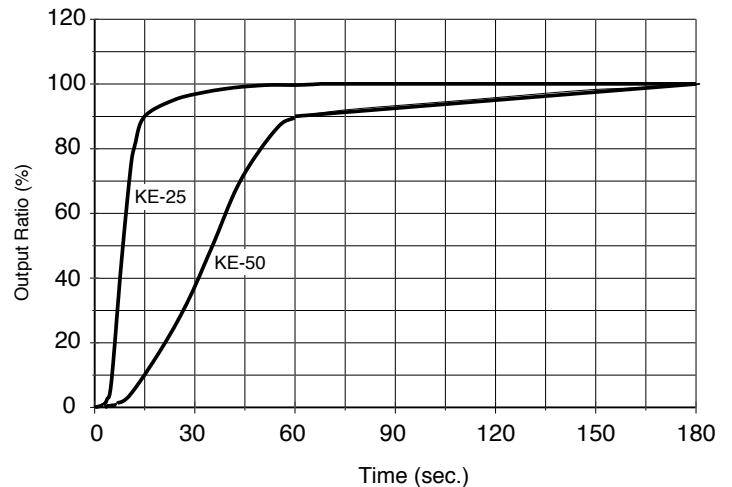
The GS Oxygen Sensor KE series (KE-25 and KE-50) is a unique galvanic cell type oxygen sensor which was developed in Japan in 1985. Its most notable features are long life expectancy, excellent chemical durability, and it is not influenced by CO₂. The KE series oxygen sensor is ideal to meet the ever-increasing demand for oxygen monitoring in various fields such as combustion gas monitoring, the biochemical field, medical applications, domestic combustion appliances, etc.



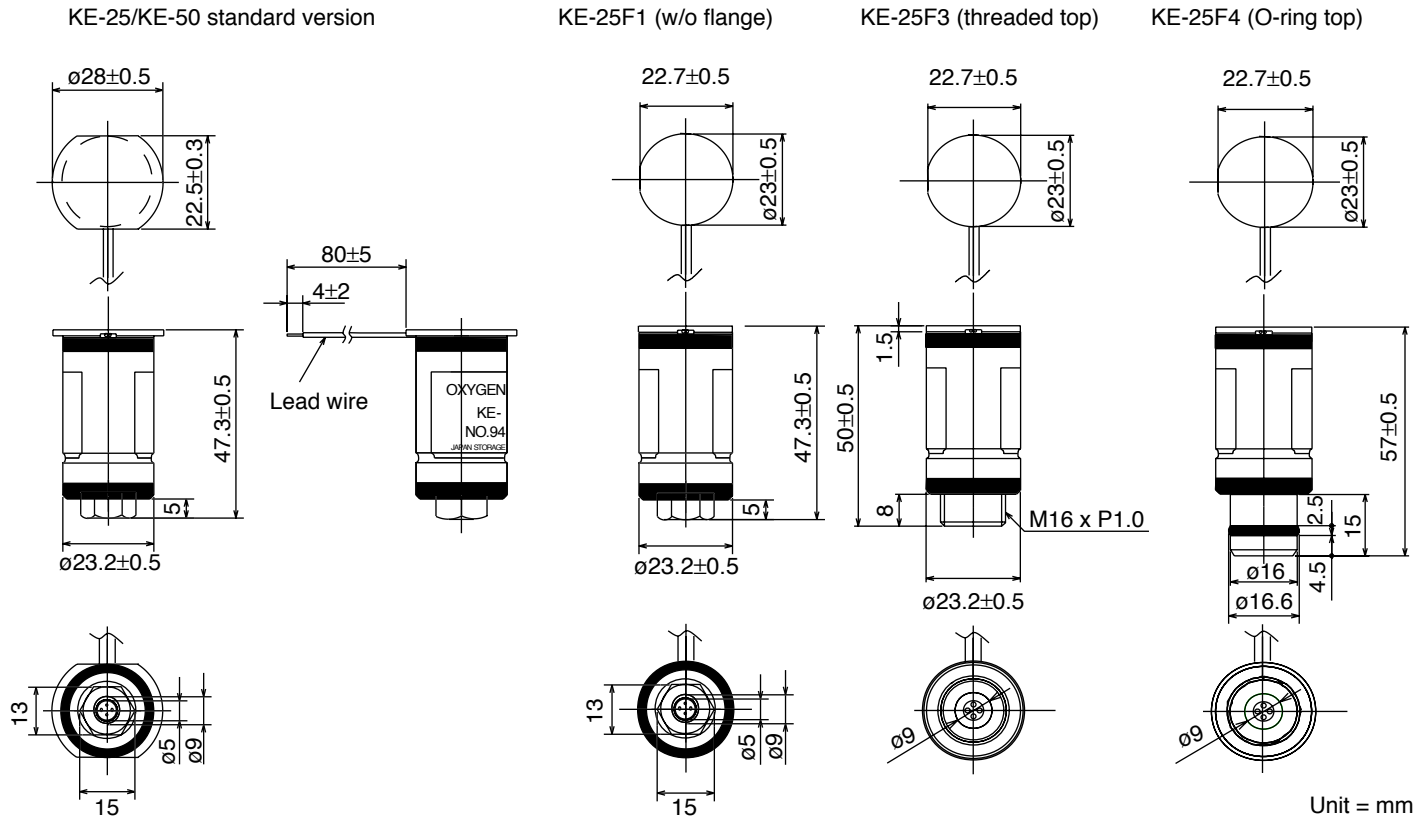
Sensitivity characteristics (typical values under std. test conditions)



Response time (typical)



Dimensions



Specifications

Item	Model	
	KE-25	KE-50
Measurement range	0~100% O ₂	
Accuracy (Note 1)	±1% (full scale)	±2% (full scale)
Operating conditions	Atmospheric pressure	
	811hPa ~1216hPa	
	Temperature	
		5~40°C
		Relative humidity
		10 ~ 90%R.H. (no condensation)
Response time (90%) (Note 4)	14±2 seconds	60±5 seconds
Initial output voltage under standard test conditions	10.0~15.5mV	47~65mV
Standard test conditions	Test gas	
	21% O ₂	
	Atmospheric pressure	
	1013±5hPa	
		Temperature
		25°C±1°C
		Relative humidity
		60±5%
Linearity	(V _a -V ₀)/(V ₁₀₀ -V ₀) (Note 2)	
		0.21±0.02
Offset voltage	V ₀	≤0.5mV
		≤6.0mV
Temperature characteristics (Note 3)	V _H /V _a	0.91~1.09
	V _L /V _a	0.91~1.09

Notes:

- 1) When calibrated at both 0% and 100% of O₂, accuracy in the range from 0-100% O₂ shall be within ±1% of full scale for KE-25 and ±2% of full scale for KE-50.
- 2) V_a = output voltage at 21% O₂
V₀ = output voltage at 0% O₂
V₁₀₀ = output voltage at 100% O₂
- 3) V_a = output voltage at 25°C
V_H = output voltage at 40°C
V_L = output voltage at 5°C
- 4) Sensors should be used under conditions where the air exchange is greater than 200~300ml per minute in order to obtain the response speed as specified in Table 1.

FIGARO ENGINEERING, INC.

1-5-11 Senba-nishi
Mino, Osaka 562-8505
Phone: (81)-72-728-2561
Fax: (81)-72-728-0467
email: figaro@figaro.co.jp