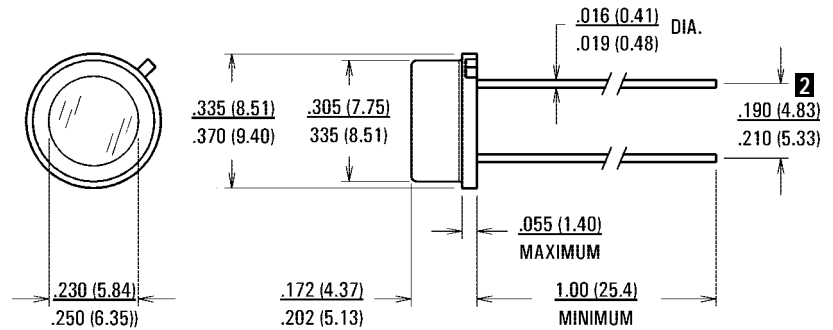




PACKAGE DIMENSIONS inch (mm)



ABSOLUTE MAXIMUM RATINGS

Parameter	Symbol	Rating	Units
Continuous Power Dissipation Derate Above 25°C	P_D $\Delta P_D / \Delta T$	125 2.5	mW mW/°C
Temperature Range Operating and Storage	T_A	-40 to +75	°C

ELECTRO-OPTICAL CHARACTERISTICS @ 25°C (16 hrs. light adapt, min.) 4

Part Number	Resistance (Ohms) 3 6						Material Type	Sensitivity (γ , typ.) <small>OG (R10/R100) LOG (100/10)</small>	Maximum Voltage (V, pk)	Response Time @ 1 fc (ms, typ.)	
	10 lux 2850 K			2 fc 2850 K	Dark					Rise (1-1/e)	Fall (1/e)
	Min.	Typ.	Max.	Typ.	Min.	sec.					
VT3ØN1	6 k	12 k	18 k	6 k	200 k	5	Ø	0.75	100	78	8
VT3ØN2	12 k	24 k	36 k	12 k	500 k	5	Ø	0.80	200	78	8
VT3ØN3	24 k	48 k	72 k	24 k	1 M	5	Ø	0.80	200	78	8
VT3ØN4	50 k	100 k	150 k	50 k	2 M	5	Ø	0.80	300	78	8
VT33N1	20 k	40 k	60 k	20 k	500 k	5	3	0.90	100	35	5
VT33N2	40 k	80 k	120 k	40 k	1 M	5	3	0.90	200	35	5
VT33N3	80 k	160 k	240 k	80 k	2 M	5	3	0.90	200	35	5

See page 13 for notes.