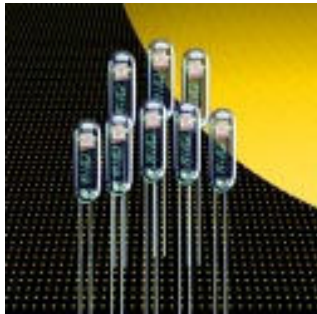


# Photocells U 1160

## small Photocell

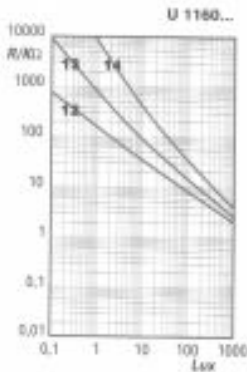
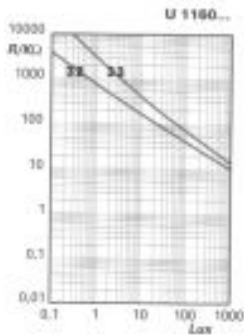
### Glass encapsulated housing



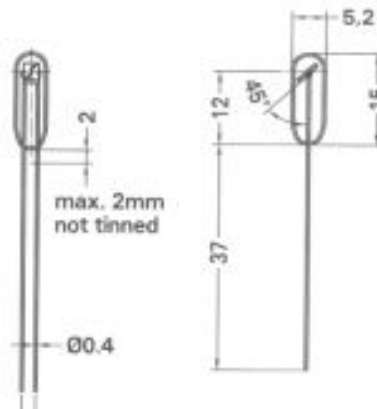
### Oil Burner Controls Applications

This glass encapsulated photocell is the main running series for the above mentioned burner control application range. Customized selections are available upon request.

Operating Temperature Range: -20...+70 °C (non continuous)  
Storage Temperature Range: -20...+80 °C (non continuous)



Type	R <sub>10</sub>	R <sub>100</sub>	R <sub>01</sub>	R <sub>05</sub>	V <sub>max</sub>	P <sub>max</sub>	γ <sub>10/100</sub>	λ <sub>peak</sub>
units	KΩ	KΩ typ.	MΩ min	MΩ min	V	mW	typ.	nm
U1160 12	20...50	8,0	0,12	0,36	150	50	0,7	550
U1160 13	35...220	15	0,4	1,2	150	50	0,85	550
U1160 14	150...1000	35	1,0	3,0	150	50	0,95	550
U1160 32	100...320	40	1,0	3,0	400	50	0,7	550
U1160 33	250...1100	75	2,0	6,0	400	50	0,85	550



all Dimensions  
in mm

Europe:  
Excelitas Technologies  
Wenzel Jaksch Str 31  
65199 Wiesbaden / Germany  
Phone +49(0)611 492 0  
Fax +49(0)611 492 170

USA:  
44370 Christy Street  
Freemont, CA 94538-3180  
Phone +510 979 6500  
+800 775 6786  
Fax +510 687 1140

Asia:  
47, Ayer Rajah Crescent #06-12  
Singapore 139947  
Phone +65 775 2022  
Fax +65 775 1008

Right for modification reserved / WS / 28.8.2003

**EXCELITAS**  
TECHNOLOGIES