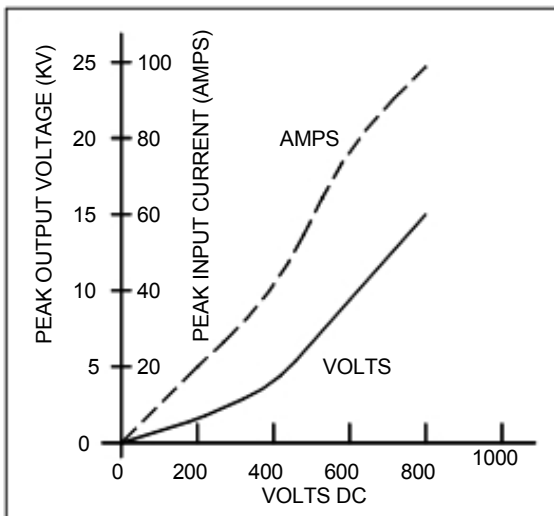


**OUTLINE DIMENSIONS**

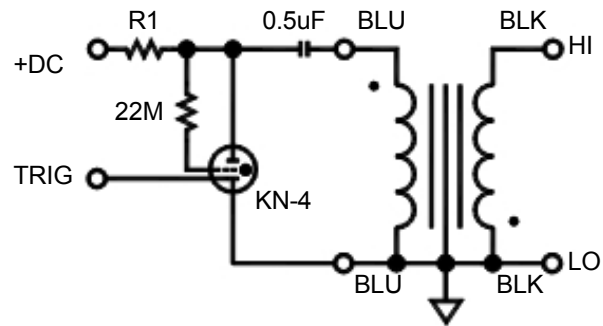
**SPECIFICATIONS**

Maximum DC input	800 Volts
Primary peak current	100 amps max.
Turns ratio (secondary to primary)	25:1
Hold-off voltage (secondary to primary)	5.0 KV DC
Secondary DCR	0.05 ohms

Output voltage	15 KV
Rise time 10%-90%	0.4 uSec
Pulse width 50% amplitude	0.7 uSec
Secondary RMS current	12A
Secondary saturated inductance	80uH



**INPUT VS. OUTPUT**



**TYPICAL CIRCUIT**

For more information e-mail us at [generalinquiries@excelitas.com](mailto:generalinquiries@excelitas.com) or visit our website at [www.excelitas.com](http://www.excelitas.com)  
All values are nominal; specification subject to change without notice.

Worldwide Headquarters  
Excelitas Technologies  
44370 Christy Street  
Fremont, CA 94538  
Telephone: +1 510-979-6500  
Toll Free (North America): +1 800-775-OPTO (6786)  
Fax: +510-687-1140  
[generalinquiries@excelitas.com](mailto:generalinquiries@excelitas.com)

Europe Headquarters  
Excelitas Technologies  
Wenzel-Jaksch-Str. 31  
D-65199 Wiesbaden, Germany  
Telephone: +49 611 492 430  
Fax: +49 611 492 165

Asia Headquarters  
Excelitas Technologies  
47 Ayer Rajah Crescent #06-12  
Singapore 139947  
Telephone: +65 6770 2022  
Fax: +65 6775 1008

