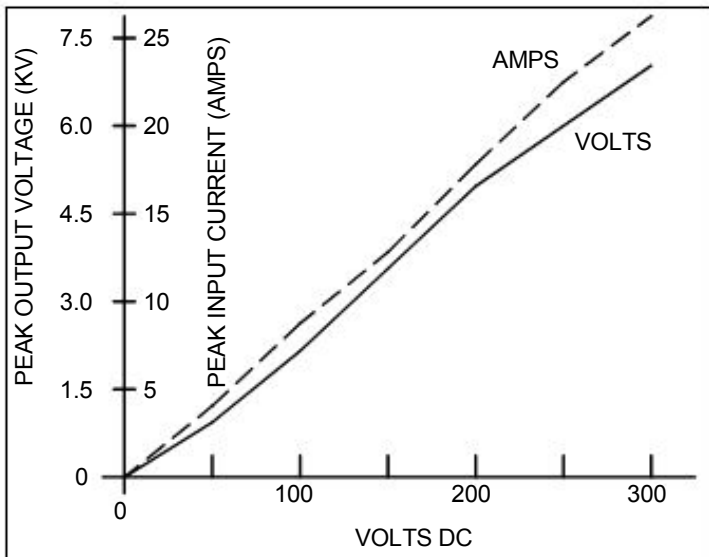


### DIMENSIONS

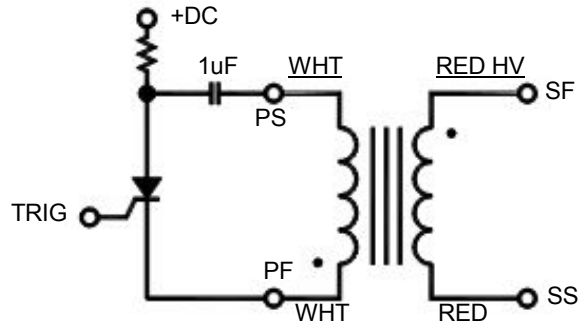
### SPECIFICATIONS

Maximum DC input	250 Volts
Primary peak current	25 Amps
Turns ratio (secondary to primary)	15:1
Hold-off voltage (secondary to primary)	500 VDC

Output voltage	5 KV
Rise time 10%-90%	1.0 uSec max.
Pulse width 50% amplitude	5.0 uSec min.



### INPUT VS. OUTPUT



### TYPICAL CIRCUIT

For more information email us at [generalinquiries@excelitas.com](mailto:generalinquiries@excelitas.com) or visit our website at [excelitas.com](http://www.excelitas.com)  
All values are nominal; specification subject to change without notice.

Worldwide Headquarters  
Excelitas Technologies  
44370 Christy Street  
Fremont, CA 94538  
Telephone: +1 510-979-6500  
Toll Free (North America): +1 800-775-OPTO (6786)  
Fax: +510-687-1140  
[generalinquiries@Excelitas.com](mailto:generalinquiries@Excelitas.com)

Europe Headquarters  
Excelitas Technologies  
Wenzel-Jaksch-Str. 31  
D-65199 Wiesbaden, Germany  
Telephone: +49 611 492 430  
Fax: +49 611 492 165

Asia Headquarters  
Excelitas Technologies  
47 Ayer Rajah Crescent #06  
Singapore 139947  
Telephone: +65 6770 2022  
Fax: +65 6775 1008

**EXCELITAS**  
TECHNOLOGIES