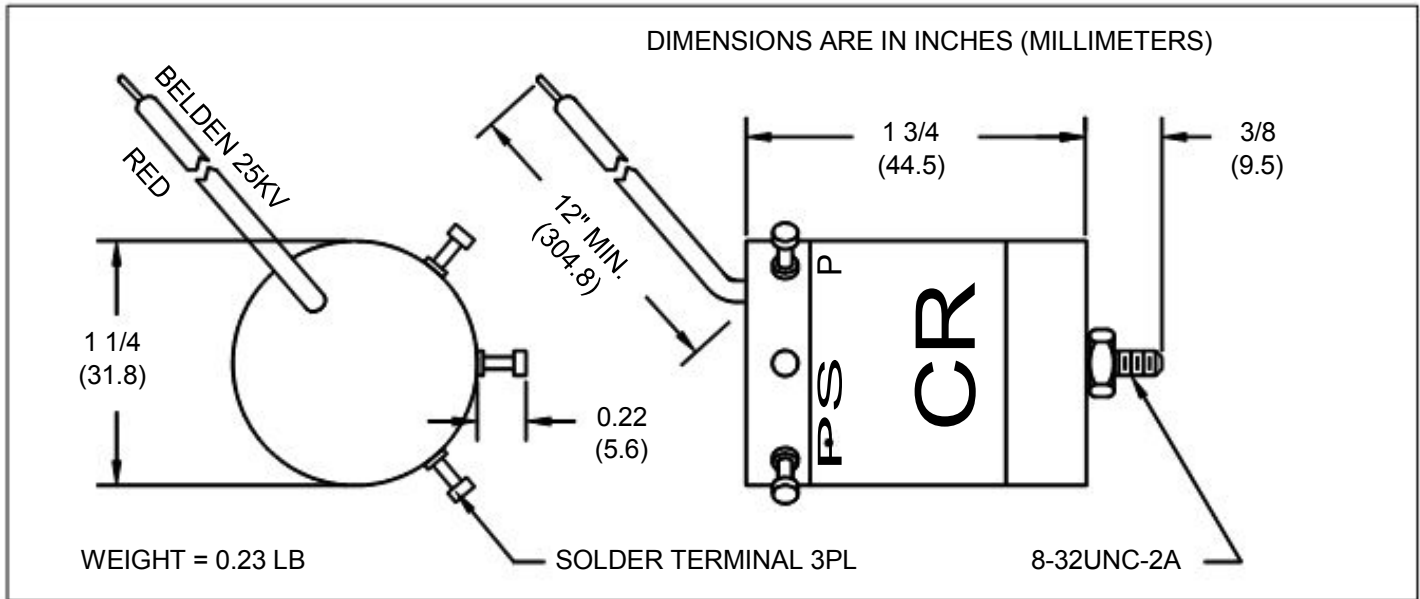


TR-2081 EXTERNAL TRIGGER TRANSFORMER

DIMENSIONS ARE IN INCHES (MILLIMETERS)

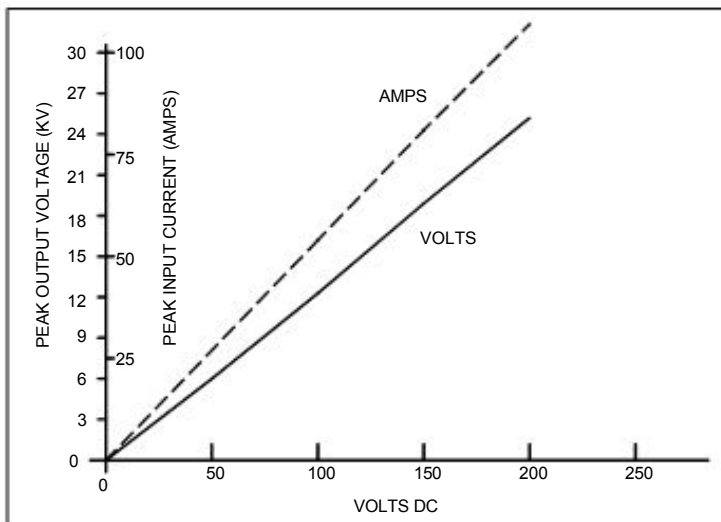


OUTLINE & MOUNTING DIMENSIONS

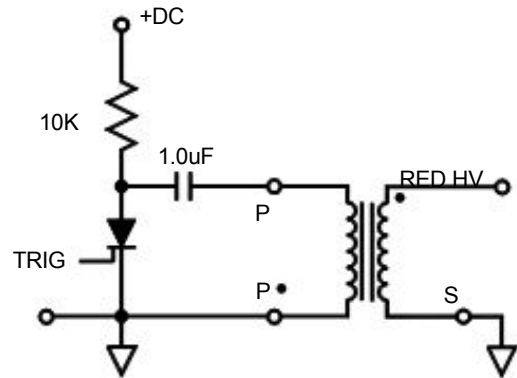
SPECIFICATIONS

Maximum DC input	200 Volts
Primary peak current	140 Amps max.
Turns ratio (secondary to primary)	155:1
Hold-off voltage (secondary to primary)	5 KV DC

Output voltage	18 KV
Rise time 10%-90%	1.0 uSec max.
Pulse width 50% amplitude	2.5 uSec min.



INPUT VS. OUTPUT



TYPICAL CIRCUIT

For more information email us at generalinquiries@excelitas.com or visit our website at www.excelitas.com
All values are nominal; specification subject to change without notice.

Worldwide Headquarters
Excelitas Technologies
44370 Christy Street
Fremont, CA 94538
Telephone: +1 510-979-6500
Toll Free (North America): +1 800-775-OPTO (6786)
Fax: +510-687-1140
generalinquiries@excelitas.com

Europe Headquarters
Excelitas Technologies
Wenzel-Jaksch-Str. 31
D-65199 Wiesbaden, Germany
Telephone: +49 611 492 430
Fax: +49 611 492 165

Asia Headquarters
Excelitas Technologies
47 Ayer Rajah Crescent #06-12
Singapore 139947
Telephone: +65 6770 2022
Fax: +65 6775 1008

EXCELITAS
TECHNOLOGIES