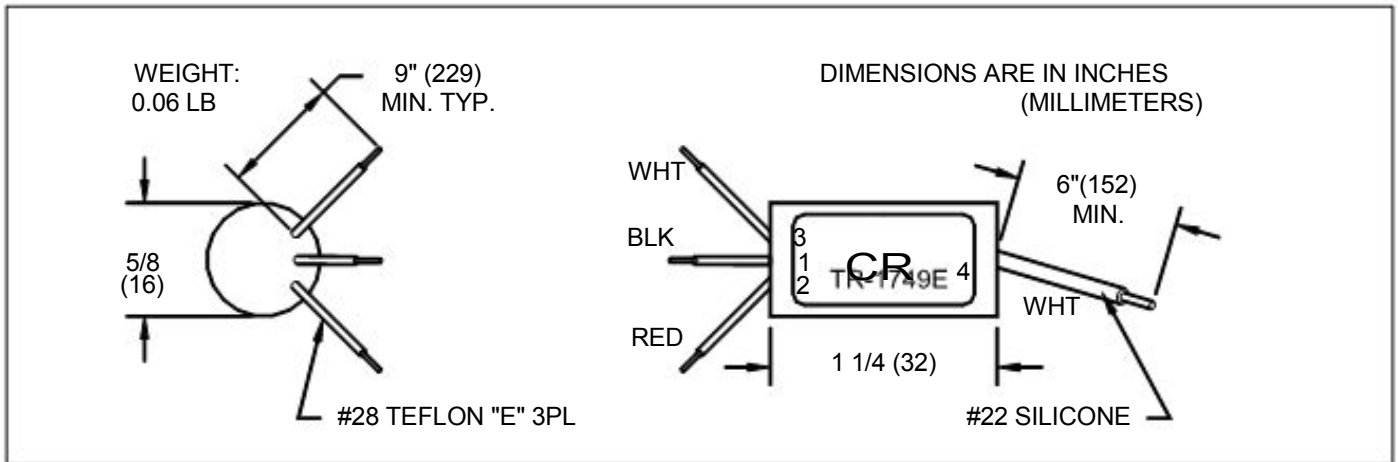


## TR-1749E EXTERNAL TRIGGER TRANSFORMER

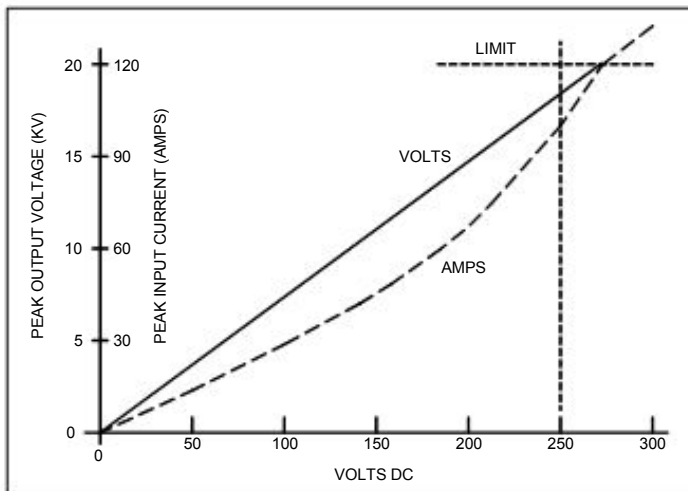


**OUTLINE DIMENSIONS**

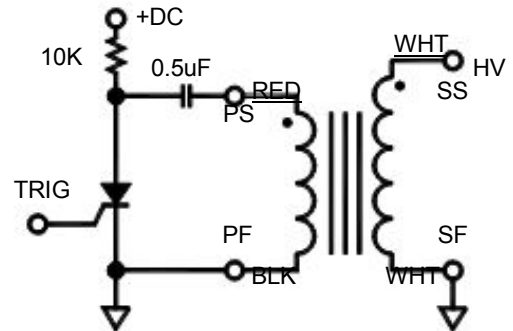
### SPECIFICATIONS

Maximum DC input	250 Volts
Primary peak current	120 Amps max.
Turns ratio (secondary to primary)	80:1

Output voltage	15 KV
Rise time, 10% - 90%	0.7 uSec max.
Pulse width 50% amplitude	0.7 uSec min.



**INPUT VS. OUTPUT**



**TYPICAL CIRCUIT**

For more information email us at [generalinquiries@excelitas.com](mailto:generalinquiries@excelitas.com) or visit our website at [www.excelitas.com](http://www.excelitas.com)  
All values are nominal; specification subject to change without notice.

Worldwide Headquarters  
Excelitas Technologies  
44370 Christy Street  
Fremont, CA 94538  
Telephone: +1 510-979-6500  
Toll Free (North America): +1 800-775-OPTO (6786)  
Fax: +510-687-1140  
[generalinquiries@excelitas.com](mailto:generalinquiries@excelitas.com)

Europe Headquarters  
Excelitas Technologies  
Wenzel-Jaksch-Str. 31  
D-65199 Wiesbaden, Germany  
Telephone: +49 611 492 430  
Fax: +49 611 492 165

Asia Headquarters  
Excelitas Technologies  
47 Ayer Rajah Crescent #06-12  
Singapore 139947  
Telephone: +65 6770 2022  
Fax: +65 6775 1008

**EXCELITAS**  
TECHNOLOGIES