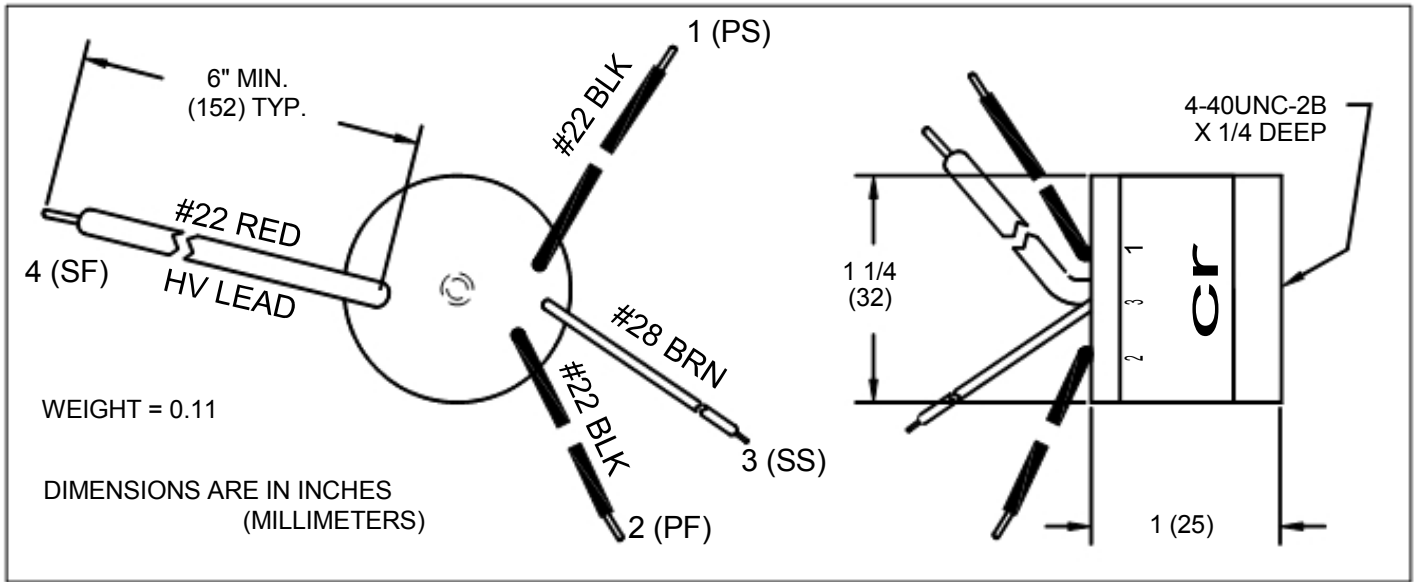


TR-1647 EXTERNAL TRIGGER TRANSFORMER

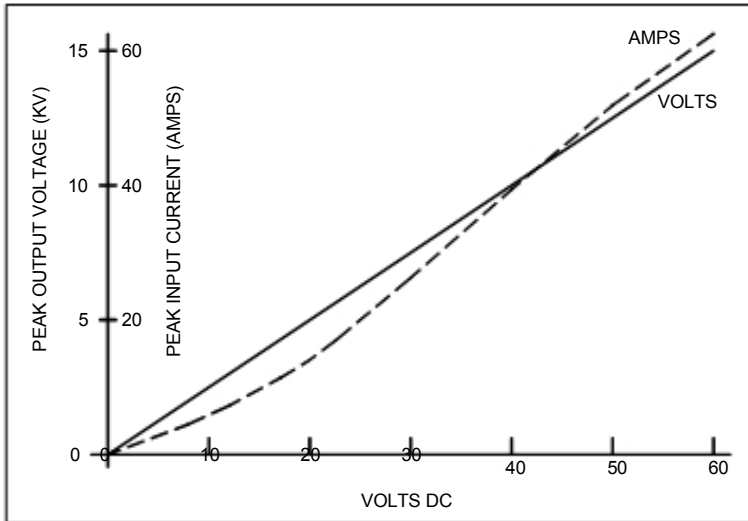


OUTLINE & MOUNTING DIMENSIONS

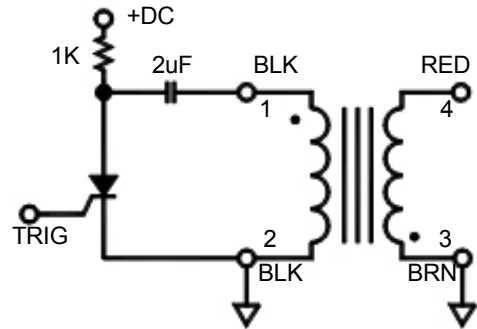
SPECIFICATIONS

Maximum DC input	40 Volts
Primary peak current	40 Amps max.
Turns ratio (secondary to primary)	250:1
Hold-off voltage (secondary to primary)	1 KV DC

Output voltage	10 KV
Rise time, 10% - 90%	1.5 uSec max.
Pulse width 50% amplitude	1.2 uSec min.



INPUT VS. OUTPUT



TYPICAL CIRCUIT

For more information email us at generalinquiries@excelitas.com or visit our website at www.excelitas.com

All values are nominal; specification subject to change without notice.

Worldwide Headquarters
 Excelitas Technologies
 44370 Christy Street
 Fremont, CA 94538
 Telephone: +1 510-979-6500
 Toll Free (North America): +1 800-775-OPTO (6786)
 Fax: +510-687-1140
generalinquiries@excelitas.com

Europe Headquarters
 Excelitas Technologies
 Wenzel-Jaksch-Str. 31
 D-65199 Wiesbaden, Germany
 Telephone: +49 611 492 430
 Fax: +49 611 492 165

Asia Headquarters
 Excelitas Technologies
 47 Ayer Rajah Crescent #06-12
 Singapore 139947
 Telephone: +65 6770 2022
 Fax: +65 6775 1008

EXCELITAS
 TECHNOLOGIES